



PIAGGIO & C.s.p.a.



CATALOGUS RESERVEONDERDELEN



Norge 1200 IE 8V Polizia Stradale 2014

Voorvoegsel frame: ZGULPS03

Voorvoegsel motor:

NORGE

GU111



Inhoudsopgave

Afgewerkte producten.....	4
Alfanumerieke inhoudsopgave.....	5
FRAME.....	11
Tafel 33.01 - Frame I.....	11
Tafel 33.02 - Frame II.....	12
Tafel 33.03 - Stands.....	13
Tafel 33.04 - Foot rests I.....	14
Tafel 33.05 - Foot rests II.....	15
Tafel 33.06 - Gear lever.....	16
Tafel 33.07 - Steering.....	17
Tafel 33.08 - Front fork.....	18
Tafel 33.09 - Swing arm.....	19
Tafel 33.10 - Transmission complete.....	20
Tafel 33.11 - Trans.cpl.-Cage.....	21
Tafel 33.12 - Trans.cpl.-Bevel gear.....	22
Tafel 33.13 - Connecting rod - rear shock abs.....	23
Tafel 33.14 - Fuel tank.....	24
Tafel 33.16 - Front body I.....	25
Tafel 33.17 - Front body II.....	26
Tafel 33.18 - Electro-Windscreen II.....	27
Tafel 33.19 - Electro-Windscreen I.....	28
Tafel 33.20 - Central body.....	29
Tafel 33.22 - Front mudguard.....	31
Tafel 33.23 - Saddle-Central bod.....	32
Tafel 33.24 - Rear body - Mudguard.....	33
Tafel 33.25 - Rear body - Rear fairing.....	34
Tafel 33.29 - Dashboard.....	35
Tafel 33.31 - Handlebar - Controls.....	36
Tafel 33.32 - Front master cilinder.....	37
Tafel 33.33 - Clutch control complete.....	38
Tafel 33.34 - Oil cooler.....	39
Tafel 33.35 - Blow-by system.....	40
Tafel 33.36 - Fuel supply.....	41
Tafel 33.37 - Air box.....	42
Tafel 33.38 - Exhaust unit.....	43
Tafel 33.39 - Internal fuel pump.....	44
Tafel 33.40 - Front wheel.....	45
Tafel 33.41 - Front brake caliper.....	46
Tafel 33.42 - Rear wheel.....	47
Tafel 33.43 - Rear master cylinder.....	48
Tafel 33.44 - Rear brake caliper.....	50
Tafel 33.45 - ABS Brake system.....	51
Tafel 33.46 - Headlight/Horn.....	52



Tafel 33.47 - Taillight.....	53
Tafel 33.48 - Electrical system I.....	54
Tafel 33.49 - Electrical system II.....	56
Tafel 33.50 - Lock hardware kit.....	57
Tafel 33.51 - Plate set-decal-op.handbooks.....	58
Tafel 33.72 - Side cases.....	59
Tafel 33.77 - Police ausiliary Electrical system.....	60
Tafel 33.78 - Police special equipment.....	61
ENGINE.....	62
Tafel 34.52 - Crank-case.....	62
Tafel 34.53 - Cylinder head and valves.....	64
Tafel 34.54 - Drive shaft - Cylinder.....	65
Tafel 34.55 - Timing system.....	67
Tafel 34.56 - Oil pump.....	68
Tafel 34.57 - Oil filters.....	69
Tafel 34.58 - Clutch.....	70
Tafel 34.59 - Transmission cage.....	71
Tafel 34.60 - Gear box selector.....	72
Tafel 34.61 - Primary gear shaft.....	73
Tafel 34.62 - Driven shaft.....	74
Tafel 34.63 - Clutch shaft.....	75
Tafel 34.64 - Current generator.....	76
Tafel 34.65 - Starter motor.....	77
Tafel 34.66 - Throttle body.....	78
Tafel 34.67 - Crank-case II.....	79
Tafel 34.68 - Head cover.....	80
Tafel 34.73 - Lubrication.....	81
Tafel 34.74 - RH cylinder timing system II.....	82
Tafel 34.75 - LH cylinder timing system II.....	84



NORGE
GU111 -

Voorvoegsel frame: ZGULPS03
Voorvoegsel motor:

Afgewerkte producten

Code	Geldigheid
GU9032735EUB00	
GU9032735EUD03	



NORGE
GU111 -

Voorvoegsel frame: ZGULPS03
Voorvoegsel motor:

Code	N.Tafel	Pos.	Code	N.Tafel	Pos.	Code	N.Tafel	Pos.
003056	33.19	17	598839	33.37	20	874281	34.55	11
006966	33.18	18	598839	33.40	19	874286	34.54	7
006976	33.19	19	598839	33.42	14	874287	34.54	4
013763	34.73	8	598839	33.43	12	874288	34.54	5
013880	33.19	18	598839	34.58	4	874289	34.54	6
015792	34.74	5	620365	33.18	19	874293	34.54	15
015792	34.75	5	621914	34.73	12	874482	34.56	8
015935	34.52	34	639542	33.03	12	874567	34.54	8
018639	33.19	3	639687	33.48	15	874601	34.74	26
177408	34.67	8	640468	33.19	9	874601	34.75	26
180379	33.07	20	642077	34.73	22	874621	34.54	12
231908	33.19	11	642221	33.48	14	874622	34.54	12
237553	34.56	7	642243	33.48	13	874645	34.73	9
244585	34.75	33	653027	33.18	3	874646	34.73	7
248419	33.16	2	653028	33.18	6	8746505	34.56	1
248419	33.78	10	653156	33.18	8	874655	34.73	11
259658	33.18	13	653157	33.18	7	874669	34.73	4
271695	33.18	12	654172	33.19	6	874801	34.56	10
274369	33.18	10	654174	33.19	14	874980	34.52	26
274369	33.19	12	654175	33.19	16	875243	34.54	19
285846	34.53	8	655461	33.19	2	875244	34.54	19
292022	33.46	4	655463	33.19	1	877101	34.56	11
292022	33.47	14	655465	33.19	8	877820	34.57	6
294278	33.46	3	655467	33.18	2	8783390001	34.54	17
2B000540	33.78	1	655679	33.19	5	8783390002	34.54	17
2B000787000YA1	33.72	1	825597	34.53	11	8783390003	34.54	17
2B000788000YA1	33.72	2	825597	34.54	11	878574	34.74	1
2B000789	33.78	2	825597	34.67	4	878574	34.75	1
2B000790	33.31	26	827018	34.53	10	8787074	34.55	15
2B000807	33.72	3	829122	34.57	2	878868	34.74	32
2B000808	33.72	4	829232	34.55	13	878868	34.75	32
2B000809	33.72	5	829486	34.56	5	879404	34.54	25
2B000814	33.72	6	829661	34.56	6	879405	34.54	26
2B000815	33.72	7	833520	34.74	22	879707	34.74	11
2B000816	33.78	5	833520	34.75	22	879707	34.75	11
2B000817	33.78	6	840542	33.18	9	879865	34.53	1
2B000818	33.78	4	840542	33.19	13	879869	34.59	5
2B000860	33.29	10	842360	34.74	6	879871	34.59	1
2B000862	33.18	5	842360	34.75	6	879872	34.52	16
2B000864	33.50	8	843060	34.74	27	879874	34.52	18
2B000867000YA1	33.78	11	843060	34.75	27	879876	34.67	1
2B0010545	33.25	11	847180	33.48	17	879877	34.66	8
2D000017	33.39	1	849131	34.54	18	879878	34.66	3
2D000076	33.77	1	849866	34.54	23	879916	34.74	10
2D000077	33.77	2	853215	33.07	17	879916	34.75	10
2D000083	33.78	21	872695	34.53	3	879930	34.53	2
2H000489	33.51	8	872696	34.53	4	879936	34.74	19
411209	34.52	2	872740	34.68	14	879936	34.75	19
414835	34.56	9	872741	34.68	11	879937	34.74	20
414837	34.74	17	872742	34.68	7	879937	34.75	20
414837	34.75	17	872759	34.74	4	879938	34.74	18
434947	34.73	6	872759	34.75	4	879938	34.75	18
436438	34.53	6	873626	34.68	9	879975	34.68	3
479175	33.18	17	873654	34.68	13	879987	34.68	8
479882	33.17	9	873667	34.54	2	880123	34.68	10
487444	34.74	23	873689	34.54	20	880124	34.68	1
487444	34.75	23	873690	34.54	21	880127	34.68	15
487567	34.66	25	873861	34.66	14	880270	34.66	1
487665	33.19	10	873879	34.66	7	880398	34.52	1
560110	34.52	10	873906	34.56	14	880965	34.74	28
576565	33.18	4	873928	34.55	8	880965	34.75	28
580141	33.46	2	874126	34.53	9	883045	33.10	7
581957	33.29	6	874127	34.53	5	883046	33.10	2
584332	33.46	8	874134	34.52	33	883079	33.38	20
584332	33.47	10	874223	34.73	3	883144	34.52	24
584344	33.38	12	874238	34.73	18	883242	33.03	1
584509	33.49	14	874280	34.55	18	883251	33.03	7



NORGE
GU111 -

Voorvoegsel frame: ZGULPS03
Voorvoegsel motor:

Code	N.Tafel	Pos.	Code	N.Tafel	Pos.	Code	N.Tafel	Pos.
883274	33.03	6	88423900YA1	33.78	16	969323	34.73	10
883275	33.36	3	884240	33.78	12	976053	34.58	2
883314	33.47	1	884241	33.78	9	976177	34.61	4
883315	34.66	17	884247	33.17	1	976178	34.62	7
883316	34.66	16	88424700YA1	33.17	1	976179	34.61	9
883486	33.78	14	884248	33.17	2	976180	34.62	11
883493	34.68	4	88424800YA1	33.17	2	976304	34.54	10
883495	33.35	1	884249	33.17	4	976311	34.54	12
883496	33.23	5	884250	33.17	3	976312	34.54	9
88349600YA1	33.23	5	884251	33.16	1	976330	34.55	1
883499	33.35	5	88425100YA1	33.16	1	976331	34.55	4
883500	33.35	6	884268	33.77	3	976334	34.55	9
883518	33.20	11	884269	33.72	8	976337	34.74	31
88351800YA1	33.20	11	884277	33.20	15	976337	34.75	31
883519	33.20	12	884278	33.20	16	976338	34.74	30
88351900YA1	33.20	12	884288	33.03	10	976338	34.75	30
883520	33.20	18	884305	33.77	6	976341	34.74	29
883521	33.20	19	884352	33.38	25	976341	34.75	29
883522	33.51	1	886122	34.73	14	976342	34.54	22
883523	33.51	5	886123	33.34	1	976350	34.74	25
883526	33.17	16	886160	33.31	11	976350	34.75	25
88352600YA1	33.17	16	886166	33.45	3	976352	34.63	1
883539	33.51	6	886209	33.48	1	976355	34.55	6
8835411	33.38	16	886209	33.49	1	976376	33.38	3
883567	33.29	1	886229	33.31	5	976381	34.55	2
883629	33.20	27	886235	33.34	8	976478	34.67	9
883630	33.20	26	886239	33.51	9	976481	34.58	7
883682	33.24	3	886255	34.64	1	976484	34.58	8
883720	33.29	8	886340	33.51	4	976488	34.55	3
883744	33.02	1	886594	33.34	2	976498	34.66	5
883747	33.17	19	886632	33.31	14	976521	33.38	15
883751	33.46	14	886633	33.31	15	976522	33.38	7
883790	33.18	11	886776	33.48	30	976523	33.38	8
883795	33.19	7	887097	33.38	9	976532	34.63	4
883799	33.48	27	887209	34.66	24	976533	34.63	3
883810	33.18	1	887214	33.38	1	976535	34.58	5
883816	33.46	1	887215	33.38	2	976538	34.55	10
883818	33.49	2	887426	33.17	17	976554	34.67	5
883819	33.49	3	887696	33.45	4	976556	33.48	22
883820	33.48	2	890517	33.02	4	976559	34.68	12
883838	33.45	1	890517	33.23	3	976560	34.68	6
883839	33.45	2	890721	33.35	3	976564	34.58	10
883840	33.45	5	890721	33.43	28	976566	34.66	6
883841	33.45	6	890979	33.46	11	976570	33.10	1
883843	33.38	24	895033	33.40	14	976581	33.12	1
883853	33.41	1	895481	33.49	16	976589	34.74	8
883854	33.41	2	896011	33.40	15	976589	34.75	8
883855	33.13	1	896012	33.40	6	976591	34.68	2
883864	33.24	1	896540	34.66	20	976592	34.73	5
883883	33.40	1	896544	33.14	14	976593	34.58	12
883886	33.42	1	896544	33.24	14	976594	34.58	12
883889	33.20	3	896544	34.59	16	976595	34.58	12
88388900YA1	33.20	3	897580	33.29	11	976596	34.58	12
883890	33.20	1	897582	33.29	2	976597	34.73	19
88389000YA1	33.20	1	897585	33.29	9	976635	34.57	8
883891	33.20	2	897599	34.73	1	976636	34.57	7
883946	33.20	20	897671	33.07	1	976649	34.55	17
883947	33.20	21	897771	33.42	8	976665	34.55	16
883966	33.09	3	898050	33.34	9	976674	34.74	24
884033	33.43	24	898051	33.20	9	976674	34.75	24
884169	33.03	2	898128	33.31	9	976680	34.73	15
884183	33.01	3	898129	33.31	1	976681	34.73	17
884184	33.01	2	898244	33.34	12	976695	34.58	1
884187	33.01	1	898245	33.07	18	976696	34.58	14
884219	33.78	11	898254	33.20	28	976703	34.52	19
884237	33.78	13	898368	33.04	4	976976	34.59	17
88423800YA1	33.78	15	898401	33.07	16	9769885	34.52	30



Code	N.Tafel	Pos.	Code	N.Tafel	Pos.	Code	N.Tafel	Pos.
977041	33.43	14	AP8102502	33.23	12	AP8123655	33.08	9
977056	33.42	10	AP8102520	33.35	4	AP8124768	33.49	13
977080	33.03	11	AP8102523	33.23	11	AP8124936	33.48	26
977119	33.17	14	AP8102524	33.03	17	AP8124976	33.47	6
977121	33.17	13	AP8102913	33.23	8	AP8125773	33.40	4
977125	33.17	10	AP8102914	33.23	7	AP8125777	33.40	3
977126	33.17	11	AP8104211	33.37	2	AP8125779	33.40	5
977619	33.20	13	AP8104451	33.14	15	AP8125791	33.40	9
977623	33.20	14	AP8104572	33.31	7	AP8127469	33.40	18
977628	33.31	19	AP8104666	33.14	13	AP8127552	33.47	9
977629	33.31	20	AP8104921	33.31	16	AP8128189	33.40	16
977638	33.19	4	AP8104922	33.31	8	AP8133594	33.33	8
977644	33.18	20	AP8110066	33.13	5	AP8133614	33.41	3
977645	33.18	21	AP8110068	33.13	6	AP8133945	33.41	4
977740	33.31	21	AP8110077	33.07	8	AP8133945	33.45	9
977809	33.01	7	AP8112811	33.49	9	AP8134378	33.38	18
977906	33.31	12	AP8112996	33.43	27	AP8134448	33.24	8
977918	33.50	6	AP8113003	33.45	7	AP8134838	33.04	9
977993	33.78	17	AP8113004	33.33	9	AP8135608	33.13	8
978074	33.23	16	AP8113004	33.45	8	AP8135924	33.13	4
978123	33.23	1	AP8113070	33.45	10	AP8144007	33.06	7
978220	33.50	5	AP8113288	33.43	3	AP8144007	33.43	25
978350	33.09	1	AP8113594	33.43	2	AP8144030	33.03	21
978392	33.11	17	AP8113993	33.32	5	AP8144038	33.37	16
978427	33.46	6	AP8113993	33.33	4	AP8144046	33.49	15
978428	33.46	5	AP8113995	33.32	3	AP8144071	33.38	19
978571	33.46	7	AP8113997	33.33	5	AP8144164	33.37	7
978606	33.32	1	AP8113998	33.33	6	AP8144553	33.49	7
978607	33.33	1	AP8117200	33.49	5	AP8144565	33.18	14
978739	34.58	3	AP8120030	33.02	6	AP8144565	33.29	7
978854	34.73	16	AP8120030	33.20	29	AP8145034	33.04	6
978882	33.51	10	AP8120030	33.34	4	AP8145035	33.04	8
981007	34.54	13	AP8120030	33.37	12	AP8150046	33.05	12
981008	34.54	1	AP8120030	33.45	11	AP8150046	33.38	17
981009	34.54	3	AP8120030	33.48	5	AP8150046	34.67	10
981010	34.66	2	AP8120177	33.49	6	AP8150210	33.31	24
981046	33.33	2	AP8120178	33.43	13	AP8150248	33.34	7
981050	33.32	2	AP8120405	33.20	17	AP8150252	33.34	11
981084	33.08	15	AP8120405	33.47	4	AP8150255	33.29	4
981085	33.08	20	AP8120428	33.37	19	AP8150292	33.03	22
981087	33.50	7	AP8120455	33.25	8	AP8150292	33.13	13
981115	34.57	15	AP8120485	33.12	7	AP8150324	33.20	5
981154	33.08	1	AP8120594	33.20	4	AP8150421	33.37	13
981155	33.08	12	AP8120615	33.37	4	AP8150432	33.01	11
981156	33.08	2	AP8120876	33.37	18	AP8150450	33.17	5
981158	33.08	19	AP8120912	33.06	3	AP8150462	33.06	5
981159	33.08	26	AP8120912	33.43	20	AP8150462	33.43	22
AP4ADN000007	34.52	20	AP8120965	33.14	11	AP8150493	33.46	10
AP8101586	33.35	8	AP8120965	33.17	20	AP8150500	33.20	10
AP8101595	33.14	12	AP8121096	33.25	9	AP8150509	33.29	5
AP8101595	33.24	15	AP8121098	33.12	6	AP8150509	33.35	7
AP8101595	33.37	17	AP8121155	33.13	10	AP8150523	33.34	6
AP8101595	33.43	5	AP8121170	33.38	13	AP8152001	33.03	16
AP8101595	33.45	16	AP8121205	33.07	9	AP8152055	33.25	10
AP8101595	34.59	15	AP8121207	33.07	4	AP8152147	33.13	12
AP8101968	33.43	16	AP8121218	33.10	4	AP8152166	34.55	7
AP8102375	33.17	7	AP8121221	33.06	2	AP8152242	33.10	5
AP8102375	33.20	23	AP8121221	33.43	19	AP8152268	33.24	9
AP8102375	33.20	6	AP8121567	33.04	1	AP8152272	33.42	12
AP8102375	33.22	3	AP8121795	33.17	8	AP8152273	33.36	2
AP8102375	33.24	6	AP8121804	33.14	6	AP8152273	33.43	30
AP8102375	33.25	4	AP8121927	33.43	23	AP8152274	33.36	1
AP8102375	33.34	10	AP8121994	33.03	15	AP8152277	33.04	3
AP8102381	33.17	6	AP8123641	33.07	7	AP8152277	33.19	15
AP8102381	33.18	22	AP8123642	33.07	5	AP8152277	33.49	12
AP8102381	33.29	14	AP8123643	33.07	3	AP8152279	33.37	10
AP8102381	33.46	13	AP8123644	33.07	6	AP8152279	33.43	4



Code	N.Tafel	Pos.	Code	N.Tafel	Pos.	Code	N.Tafel	Pos.
AP8152279	33.48	4	AP8220283	33.49	19	GU01154230	34.73	2
AP8152280	33.78	18	AP8220283	33.77	5	GU01154230	34.73	23
AP8152282	33.48	7	AP8220526	33.05	15	GU01161331	33.35	11
AP8152285	33.46	12	AP8220546	33.49	17	GU01161331	34.73	13
AP8152286	33.40	7	AP8221023	33.37	11	GU01528930	33.11	13
AP8152287	33.20	7	AP8221023	33.45	12	GU01528930	33.11	8
AP8152287	33.78	20	AP8221023	33.48	6	GU01528930	34.52	23
AP8152291	33.14	7	AP8221036	33.07	15	GU01528930	34.59	9
AP8152291	34.52	29	AP8221036	33.47	3	GU01573960	33.29	13
AP8152298	33.07	14	AP8221128	33.02	5	GU01576530	33.05	3
AP8152298	33.20	25	AP8221128	33.20	8	GU01609630	33.31	17
AP8152298	33.36	5	AP8221145	33.43	11	GU01612190	33.40	11
AP8152298	33.47	2	AP8221204	33.03	18	GU01659130	33.41	5
AP8152299	33.23	10	AP8221211	33.03	19	GU01659131	33.41	6
AP8152299	33.48	25	AP8221227	33.01	12	GU01721600	33.48	16
AP8152299	33.78	3	AP8221277	33.04	5	GU01722700	33.48	18
AP8152300	33.02	3	AP8221307	33.01	9	GU01722701	33.48	18
AP8152300	33.05	6	AP8221317	33.03	4	GU01722702	33.48	18
AP8152301	33.01	8	AP8221318	33.03	5	GU01722703	33.48	18
AP8152301	33.13	11	AP8224164	33.24	10	GU01722704	33.48	18
AP8152302	33.22	2	AP8224192	33.32	6	GU01722705	33.48	18
AP8152302	33.25	6	AP8224462	33.49	18	GU01731760	33.48	28
AP8152302	33.29	12	AP8224462	33.77	4	GU02107100	33.14	5
AP8152302	33.78	8	AP8706527	33.31	13	GU03013800	34.56	12
AP8152306	33.24	11	AP9100519	33.45	14	GU03270300	34.65	3
AP8152306	33.34	3	B013036	34.58	9	GU03604845	33.33	3
AP8152306	33.47	7	B013037	34.58	13	GU03609600	33.31	17
AP8152318	33.09	2	B0133785001	34.54	14	GU03617710	33.40	12
AP8152320	33.44	2	B0133785002	34.54	14	GU03617710	33.42	2
AP8152329	33.24	4	B0133785003	34.54	14	GU05001630	34.67	12
AP8152329	33.37	9	B013479	34.74	14	GU05002130	34.67	3
AP8152329	33.43	10	B013479	34.75	14	GU05003630	34.52	17
AP8152329	33.49	4	B013517	34.53	7	GU05005730	34.57	4
AP8152339	33.05	8	B013552	34.74	21	GU05100230	33.14	1
AP8152339	33.16	3	B013552	34.75	21	GU051002300YA1	33.14	1
AP8152339	33.17	15	B0136034	34.74	9	GU05102930	33.14	16
AP8152339	33.23	4	B0136034	34.75	9	GU05103830	33.37	5
AP8152339	33.24	5	B0136054	34.74	12	GU05103930	33.14	8
AP8152339	33.25	3	B0136054	34.75	12	GU05103930	33.50	2
AP8152384	33.07	10	B013661	34.74	16	GU05107430	33.39	3
AP8152385	33.41	7	B013661	34.75	16	GU05113530	33.37	6
AP8152396	33.13	16	B014576	34.74	7	GU05113730	33.37	3
AP8152397	33.13	9	B014576	34.75	7	GU05114031	33.37	1
AP8152398	33.13	2	B016785	34.74	2	GU05114130	33.37	8
AP8152409	33.04	2	B016785	34.75	2	GU05121630	33.38	6
AP8152410	33.10	3	B017026	34.75	3	GU05124230	33.38	10
AP8152482	33.13	15	B017029	34.74	3	GU05124330	33.38	22
AP8161083	33.34	5	B043864	33.14	9	GU05128230	33.38	14
AP8163076	33.08	14	B0630111	34.58	12	GU05135930	33.36	4
AP8163091	33.08	10	B063012	34.58	12	GU05152230	34.57	3
AP8163093	33.08	4	B063025	34.59	11	GU05157430	33.35	2
AP8163094	33.08	5	B063858	33.50	1	GU05159330	33.35	10
AP8163095	33.08	6	B063859	33.50	3	GU05204930	34.59	8
AP8163096	33.08	7	CM074706	34.66	4	GU05206530	33.11	12
AP8163097	33.08	8	CM225603	33.49	22	GU05210631	34.61	1
AP8163098	33.08	17	CM225610	33.49	23	GU05211331	34.61	10
AP8163102	33.08	16	CM225615	33.49	21	GU05211431	34.61	7
AP8178918	33.03	3	CM225720	33.49	20	GU05213631	34.62	1
AP8201124	33.14	2	CM225730	33.49	10	GU05214231	34.62	3
AP8201301	33.43	17	CM225740	33.49	24	GU05214431	34.62	12
AP8201808	33.24	16	GU00823923140	33.03	23	GU05214630	34.61	5
AP8201808	33.45	15	GU00823950050	33.43	6	GU05214630	34.62	5
AP8202238	33.45	13	GU01003651	34.52	15	GU05214731	34.62	9
AP8212702	33.47	5	GU01106090	33.39	2	GU05215031	34.62	10
AP8220150	33.29	3	GU01108490	33.39	4	GU05230531	34.60	18
AP8220162	33.05	14	GU01154230	33.35	12	GU05230831	34.60	21
AP8220162	33.17	12	GU01154230	34.52	11	GU05232431	34.60	19



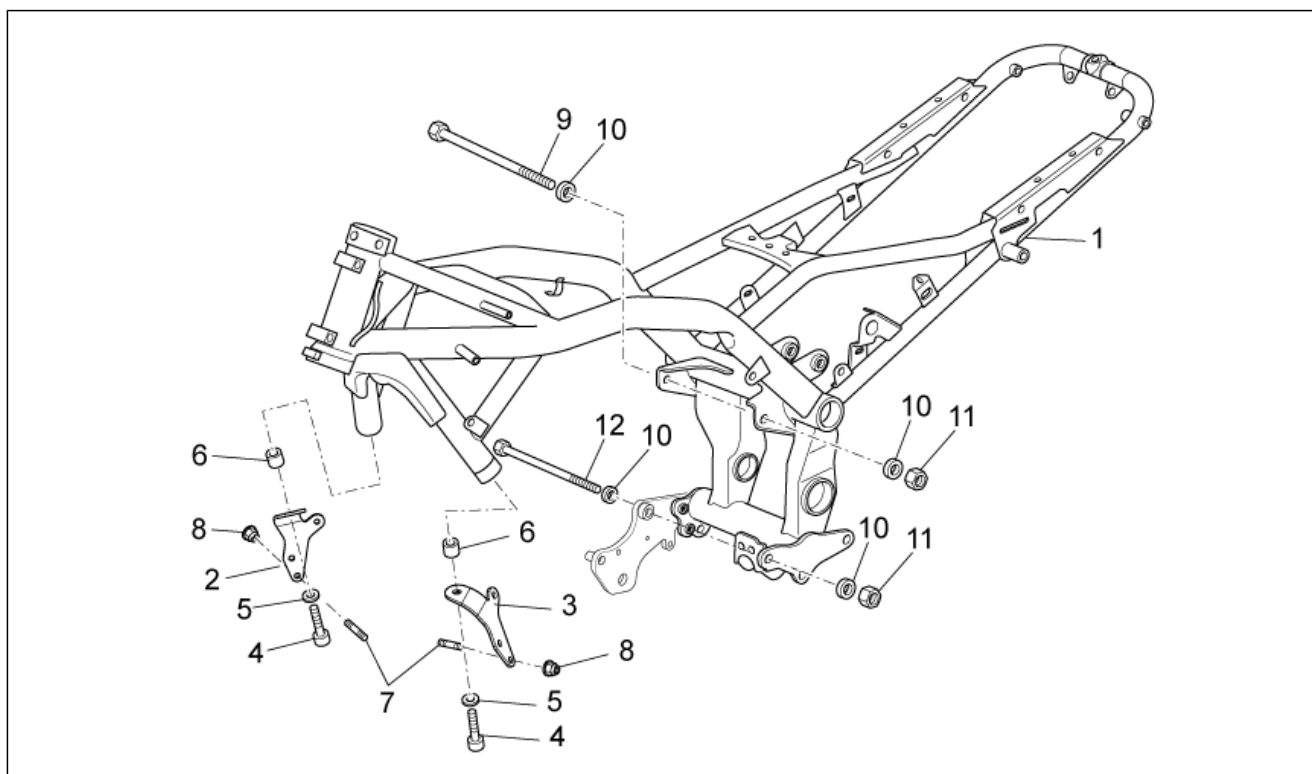
Code	N.Tafel	Pos.	Code	N.Tafel	Pos.	Code	N.Tafel	Pos.
GU05232631	34.60	20	GU05606630	33.33	10	GU30611460	33.42	7
GU05234130	34.60	11	GU05610530	33.40	1	GU30714201	34.64	9
GU05234230	34.60	12	GU05614130	33.40	8	GU30716500	33.48	8
GU05234431	34.60	1	GU05615230	33.40	2	GU30729330	33.37	14
GU05234631	34.60	2	GU05630531	33.42	1	GU31003766	33.11	9
GU05234731	34.60	10	GU05632730	33.42	3	GU31003766	34.52	22
GU05234931	34.60	13	GU05634430	33.42	5	GU31003766	34.59	13
GU05235531	34.60	3	GU05635730	33.42	6	GU31159050	34.56	2
GU05236231	34.60	7	GU05638130	33.12	9	GU31159050	34.57	14
GU05238131	34.60	15	GU05653030	33.44	1	GU31576183	33.20	22
GU05238231	34.60	8	GU05654630	33.44	3	GU32441210	33.04	7
GU05238331	34.60	14	GU05658431	33.07	13	GU32461810	33.23	15
GU05238431	34.60	9	GU05659030	33.44	5	GU32944210	33.25	7
GU05239330	34.60	17	GU05659130	33.44	4	GU49609601	33.40	17
GU05251130	33.06	1	GU05661130	33.32	4	GU49609601	33.42	15
GU05256930	33.06	13	GU05663530	33.43	7	GU4FAN000030	34.64	10
GU05257830	33.06	12	GU05666030	33.43	9	GU61270300	34.52	13
GU05258230	33.06	10	GU05666930	33.43	1	GU90271014	34.60	16
GU05326330	33.10	6	GU05677030	33.43	18	GU90271016	33.08	21
GU05351230	33.11	2	GU05681530	33.42	11	GU90271022	34.60	4
GU05352430	33.12	2	GU05683730	33.42	13	GU90271030	34.61	8
GU05358030	33.11	6	GU05701430	34.64	7	GU90271030	34.62	8
GU05358130	33.11	5	GU05702530	34.64	6	GU90271230	34.61	6
GU05358230	33.11	7	GU05716730	33.48	9	GU90271230	34.62	6
GU05358330	33.11	1	GU05729230	33.48	3	GU90273026	33.12	8
GU05358530	33.11	15	GU05730730	34.65	1	GU90274008	33.38	11
GU05358630	33.11	16	GU05747930	33.49	11	GU90353014	34.60	22
GU05429630	33.03	9	GU05751630	33.47	8	GU90401424	34.59	12
GU05434330	33.22	1	GU05751730	33.47	11	GU90404558	33.12	3
GU0543433000YA1	33.22	1	GU05944930	33.51	7	GU90405367	34.52	4
GU05436530	33.45	15	GU06215600	34.61	2	GU90408511	33.11	10
GU05438630	33.24	7	GU06765500	34.67	16	GU90412237	34.67	2
GU05443530NA	33.05	1	GU06917300	33.51	3	GU90412541	34.62	14
GU05446030NA	33.05	11	GU06917400	33.51	2	GU90706009	34.66	23
GU05446431	33.05	9	GU12006400	34.73	20	GU90706151	34.57	5
GU05446930	33.05	7	GU12018900	34.52	6	GU90706178	34.52	25
GU05447430	33.05	13	GU12022600	34.52	31	GU90706203	34.52	32
GU05464830	33.25	13	GU14018400	33.10	8	GU90718120	33.11	3
GU05466830	33.23	6	GU14085900	34.58	11	GU91120606	34.67	13
GU05466830	33.50	4	GU14433400	34.55	12	GU91120607	34.67	7
GU05479630	33.24	2	GU14609650	33.03	24	GU91180506	33.20	24
GU05490730	33.08	3	GU14609650	33.48	24	GU91180823	34.64	2
GU05494030	33.07	2	GU14609650	33.49	8	GU91181215	33.01	6
GU05504530	33.08	13	GU14615901	33.38	5	GU91600365	34.55	19
GU05525430	33.08	18	GU14615901	33.78	19	GU91600450	34.55	14
GU05530532	33.08	22	GU14615901	34.52	5	GU92201025	34.60	6
GU05530533	33.08	23	GU14616150	33.40	13	GU92201117	34.60	5
GU05530534	33.08	27	GU14616150	33.42	9	GU92201226	34.62	13
GU05530536	33.08	25	GU17661052	33.43	8	GU92201226	34.63	2
GU05547030	33.09	6	GU18144350	34.56	4	GU92201822	34.61	11
GU05547130	33.09	5	GU18144350	34.57	13	GU92201822	34.62	2
GU05547930	33.09	8	GU18144350	34.59	7	GU92204230	33.12	5
GU05560330	33.13	3	GU19002020	34.59	14	GU92208518	33.12	4
GU05562030	33.13	7	GU19207220	34.59	10	GU92232028	34.63	5
GU05562430	33.13	14	GU28576591	33.24	12	GU92249224	33.09	7
GU05570230	33.23	2	GU29722760	33.48	18	GU92252029	34.61	3
GU0557023000YA1	33.23	2	GU29729461	33.48	21	GU92252029	34.62	4
GU05573230	33.25	1	GU29732550	33.49	25	GU92605408	34.64	12
GU0557323000YA1	33.25	1	GU30027931	33.37	15	GU92606206	33.43	15
GU05573330	33.25	2	GU30103730	33.14	10	GU92606516	34.64	8
GU0557333000YA1	33.25	2	GU30150900	34.57	9	GU92609408	34.65	5
GU05573830	33.23	13	GU30153000	34.57	1	GU92630104	33.48	12
GU05573831	33.23	14	GU30158900	34.56	3	GU92630206	33.47	13
GU05600230	33.31	10	GU30158900	34.57	12	GU92630508	33.38	21
GU05600930	33.31	3	GU30217900	33.01	5	GU92630707	33.06	11
GU05604630	33.31	18	GU30609600	33.48	24	GU92660012	34.64	5
GU05606530	33.33	7	GU30609600	33.49	8	GU92660021	33.38	4



Code	N.Tafel	Pos.
GU92660021	34.52	8
GU93180220	34.59	3
GU93304390	33.09	4
GU93305061	34.66	13
GU93306017	33.35	13
GU93306018	33.35	9
GU93306050	34.66	18
GU94321077	34.57	10
GU95005306	34.56	13
GU95005312	33.38	23
GU95005325	33.40	10
GU95008204	33.48	11
GU95008205	33.48	20
GU95008206	34.57	11
GU95008206	34.66	10
GU95008208	33.14	4
GU95008213	33.06	8
GU95008305	34.66	19
GU95008310	33.43	26
GU95008313	33.01	10
GU95008313	33.03	25
GU95020105	33.03	14
GU95021104	33.32	8
GU95100116	34.54	16
GU95100116	34.66	12
GU95100141	33.78	7
GU95129100	34.74	13
GU95129100	34.75	13
GU95129131	34.65	4
GU95510620	33.11	4
GU95512081	34.52	9
GU95963062	34.66	21
GU95980216	34.52	27
GU95980216	34.73	21
GU95980319	34.59	6
GU95990023	34.66	22
GU96508066	34.52	3
GU96508075	34.52	7
GU97202355	34.59	2
GU97202665	33.42	4
GU97240600	33.17	18
GU98082475	34.65	2
GU98084425	34.52	12
GU98230510	34.68	5
GU98230612	34.58	6
GU98230850	34.64	11
GU98231235	33.03	20
GU98325316	33.46	9
GU98350210	33.05	10
GU98350210	33.43	29
GU98350310	34.54	24
GU98350310	34.66	11
GU98350315	34.55	5
GU98370412	33.18	15
GU98370412	33.32	7
GU98370614	33.24	13
GU98370616	34.59	4
GU98370625	33.18	16
GU98370625	33.23	9
GU98612216	33.03	13
GU98612325	33.31	22
GU98620330	34.67	11
GU98620335	34.52	14
GU98620335	34.67	15
GU98620445	34.64	3
GU98620560	34.64	4
GU98622214	34.74	15

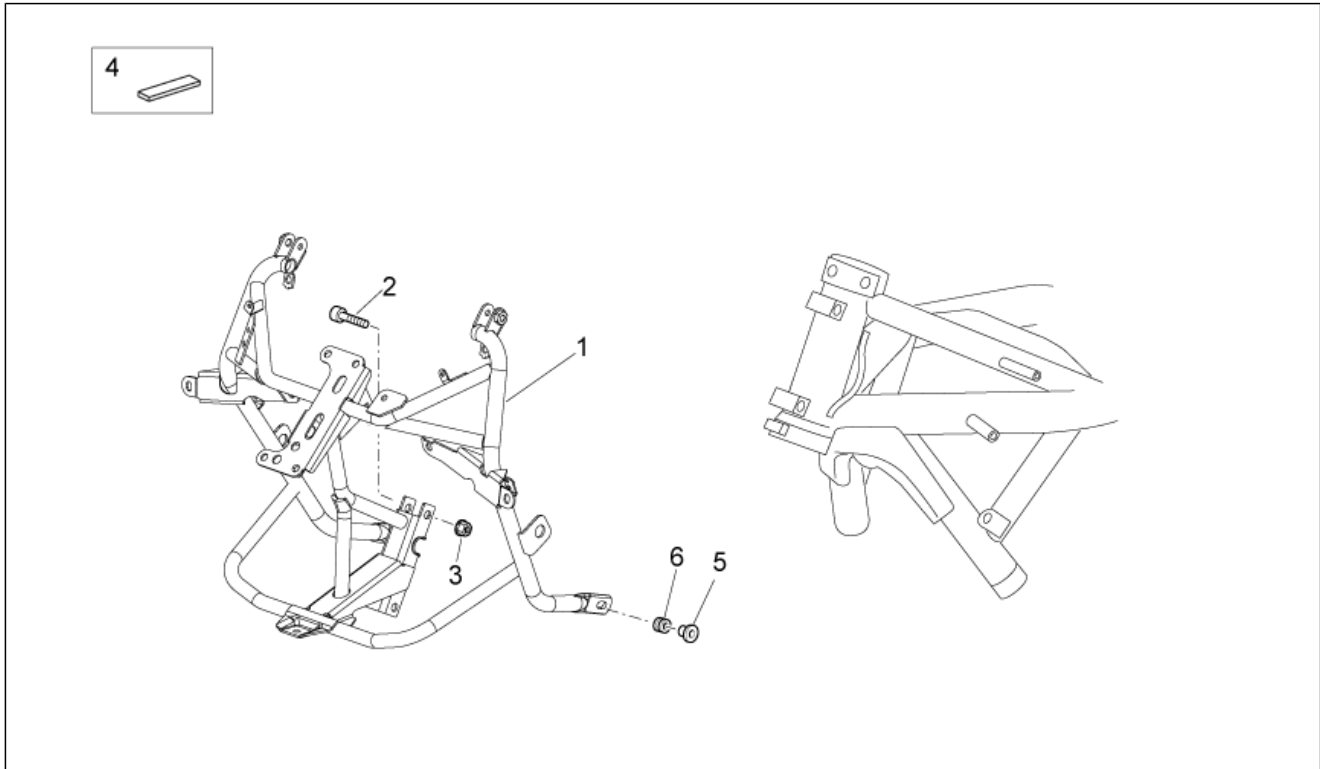
Code	N.Tafel	Pos.
GU98622214	34.75	15
GU98680340	33.08	24
GU98680340	34.52	28
GU98680360	34.52	21
GU98680370	33.31	6
GU98680440	33.02	2
GU98680440	33.05	5
GU98680450	33.11	11
GU98680465	33.31	25
GU98682125	33.48	10
GU98682212	33.48	19
GU98682212	33.48	29
GU98682212	34.66	15
GU98682215	33.25	5
GU98682316	33.06	4
GU98682316	33.43	21
GU98682316	34.67	14
GU98682320	33.06	6
GU98682320	33.06	9
GU98682320	34.67	6
GU98682325	33.09	9
GU98682414	33.14	3
GU98682425	33.07	12
GU98682425	33.25	12
GU98682430	33.07	11
GU98682530	33.03	8
GU98682535	33.08	11
GU98682650	33.01	4
GU98683520	33.48	23
GU98690440	33.31	2
GU98692216	33.16	4
GU98692318	33.07	19
GU98692318	33.47	12
GU98692425	33.05	4
GU98692430	33.05	2
GU98832430	33.31	4
GU98882325	34.66	9
GU99210406	33.11	14

Groep	FRAME
Code	33.01
Beschrijving	Frame I
Revisie	1



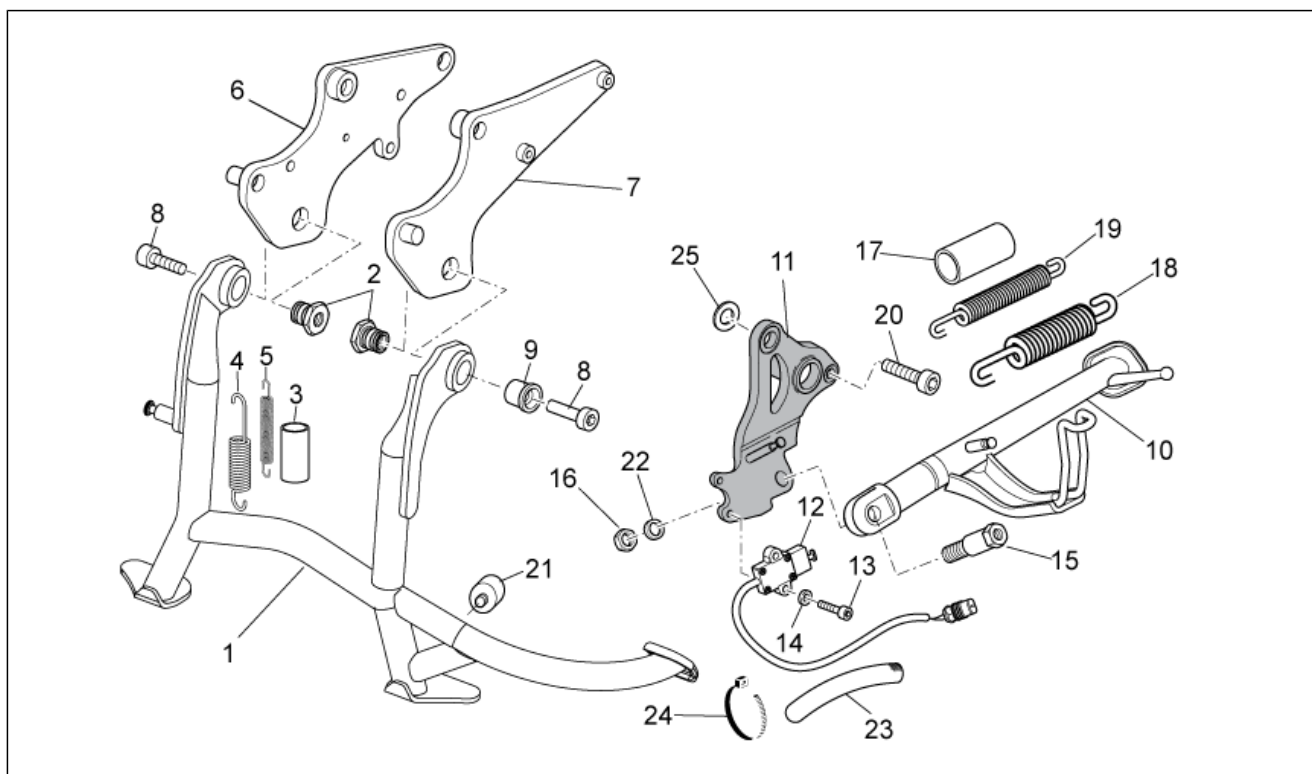
Pos.	Code	Beschrijving	Aant.	Varianten
1	884187	Frame P.A.	1	
2	884184	Plaat koppeling leiding DX	1	
3	884183	Plaat koppeling leiding SX	1	
4	GU98682650	Binnenzeskantbout M12x50	2	
5	GU30217900	Sluitring 13x18x1,7	2	
6	GU91181215	Afstandhouder 12x35x14	2	
7	977809	Stiftbout M10x38	4	
8	AP8152301	Zelfborg.bout gefl.	4	
9	AP8221307	Pin M12	1	
10	GU95008313	Sluitring 13x24x2,5	4	
11	AP8150432	Zelfborg. moer laag M12*	2	
12	AP8221227	Pin M12x270	1	

Groep	FRAME
Code	33.02
Beschrijving	Frame II
Revisie	1



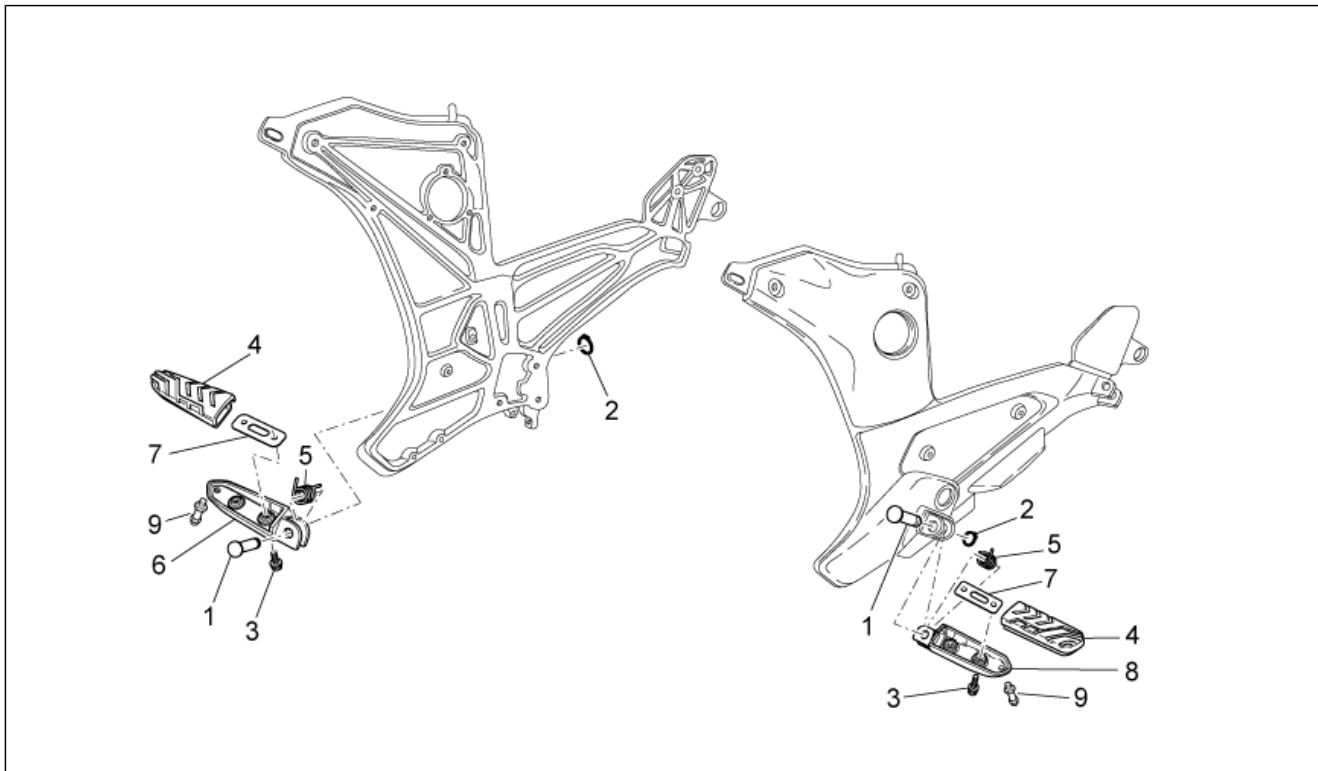
Pos.	Code	Beschrijving	Aant.	Varianten
1	883744	Framepje voor. met o.d.	1	
2	GU98680440	Binnenzeskantbout M8x40	2	
3	AP8152300	Zelfborg.bout gefl. M8	4	
4	890517	Pakking kapje	1	
5	AP8221128	'T'-vormige huls 8,5x10,7x12	2	
6	AP8120030	Rubbetje	2	

Groep	FRAME
Code	33.03
Beschrijving	Stands
Revisie	1



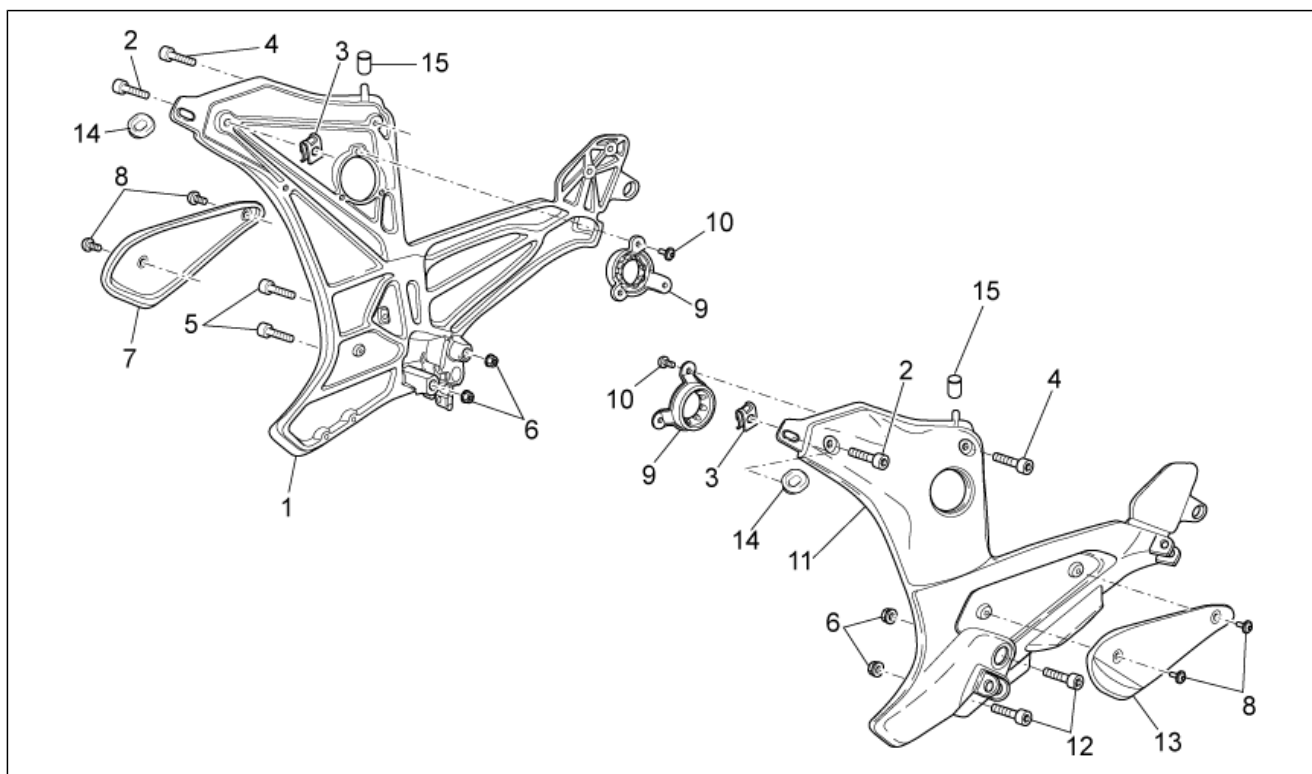
Pos.	Code	Beschrijving	Aant.	Varianten
1	883242	Centrale standaard	1	
2	884169	Houder standaard	2	
3	AP8178918	Bescherming veer standaard	1	
4	AP8221317	Trekveer standaard	1	
5	AP8221318	Trekveer standaard int.	1	
6	883274	Plaat re	1	
7	883251	Plaat li	1	
8	GU98682530	Binnenzeskantbout M10x30	2	
9	GU05429630	Huls	2	
10	884288	Laterale standaard	1	
11	977080	Plaat standaard	1	
12	639542	Knop voor zijstandaard	1	
13	GU98612216	Binnenzeskantbout	2	
14	GU95020105	Sluistring 5,3x8,9x2,4	2	
15	AP8121994	Bout standaard	1	
16	AP8152001	Moer laag M10x1,25	1	
17	AP8102524	Bescherming veer standaard	1	
18	AP8221204	Trekveer standaard	1	
19	AP8221211	Trekveer standaard int.	1	
20	GU98231235	Bolbout met binnenzeskant M12x35	2	
21	AP8144030	Buffer eindeloop standaard	1	
22	AP8150292	Elastische kromme sluitring *	1	
23	GU00823923140	Thermische gaïne	1	
24	GU14609650	Klemmetje 3,6x20,6	2	
25	GU95008313	Sluistring 13x24x2,5	2	

Groep	FRAME
Code	33.04
Beschrijving	Foot rests I
Revisie	1



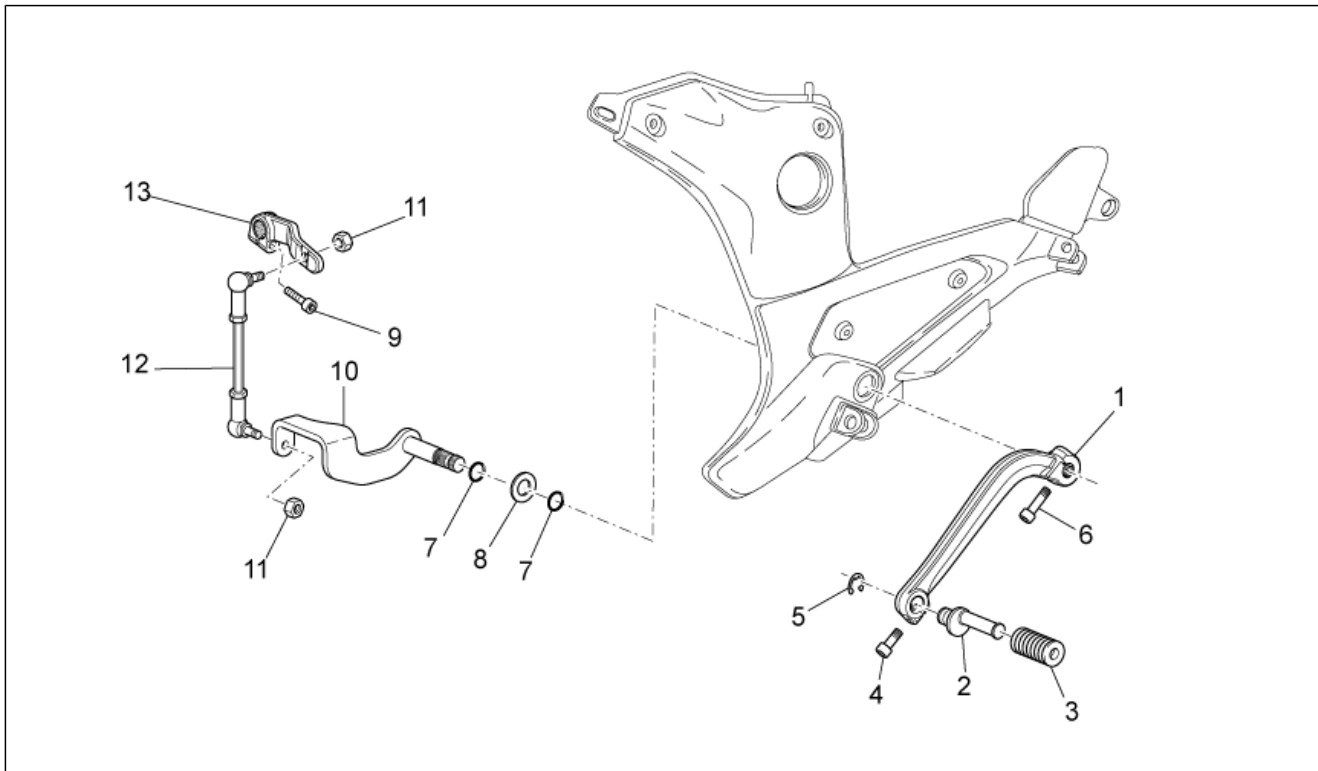
Pos.	Code	Beschrijving	Aant.	Varianten
1	AP8121567	Pin	2	
2	AP8152409	Blokkeerring radiaal	2	
3	AP8152277	Zeskantbout geflenst M6x12	4	
4	898368	Rubber voetenst.	2	
5	AP8221277	Trekveer voetensteun	2	
6	AP8145034	Voetensteun bestuurder re	1	
7	GU32441210	Plaatje	2	
8	AP8145035	Voetensteun bestuurder li	1	
9	AP8134838	Pin sleep voetensteun	2	

Groep	FRAME
Code	33.05
Beschrijving	Foot rests II
Revisie	1



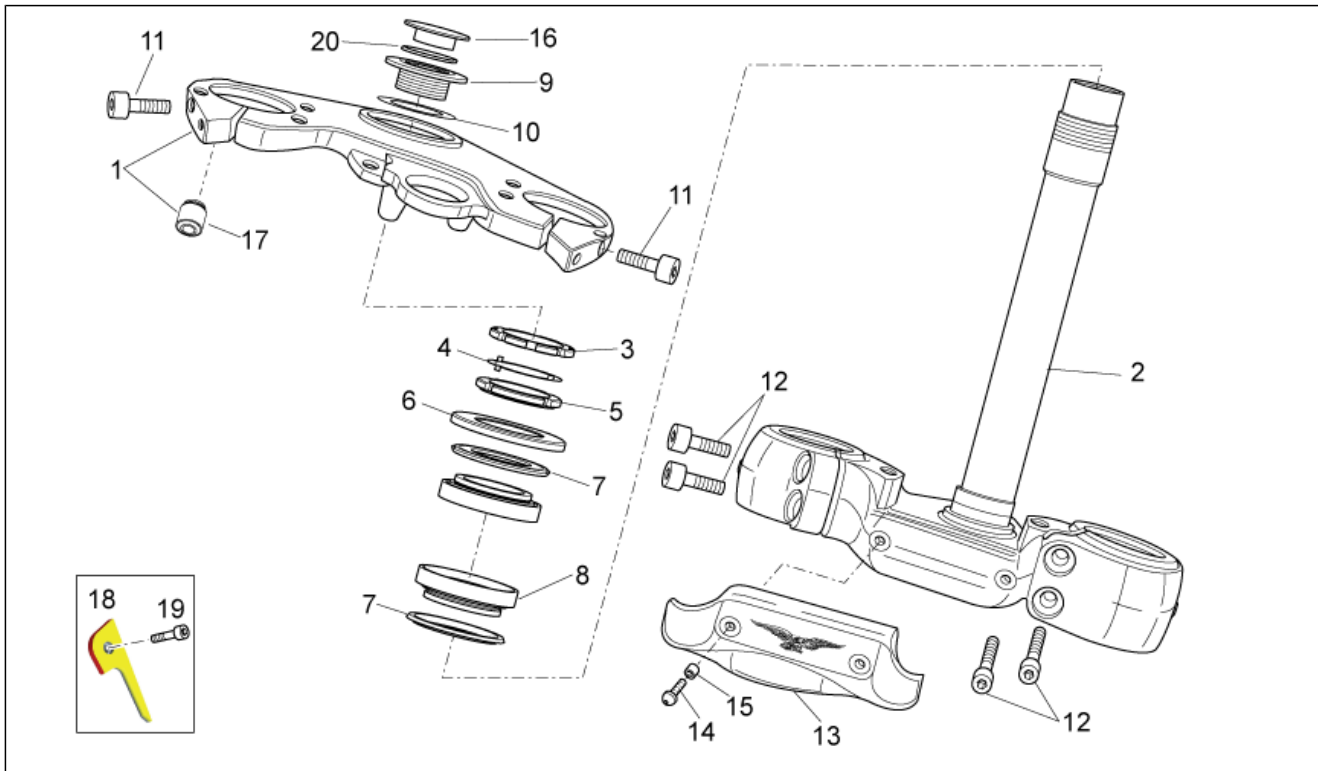
Pos.	Code	Beschrijving	Aant.	Varianten
1	GU05443530NA	Plaat re zwart	1	
2	GU98692430	Binnenzeskantbout M8x30	2	
3	GU01576530	Kramv. moer M8x1,25	2	
4	GU98692425	Binnenzeskantbout M8x25	2	
5	GU98680440	Binnenzeskantbout M8x40	2	
6	AP8152300	Zelfborg.bout gefl. M8	4	
7	GU05446930	Bescherming re	1	
8	AP8152339	Bolbout met binnenzeskant, geflenst M5x9	4	
9	GU05446431	Ring	2	
10	GU98350210	Bolbout met binnenzeskant	6	
11	GU05446030NA	Plaat li	1	
12	AP8150046	Binnenzeskantbout M8x55	2	
13	GU05447430	Bescherming li	1	
14	AP8220162	Rubbetje	4	
15	AP8220526	Rubbetje	2	

Groep	FRAME
Code	33.06
Beschrijving	Gear lever
Revisie	1



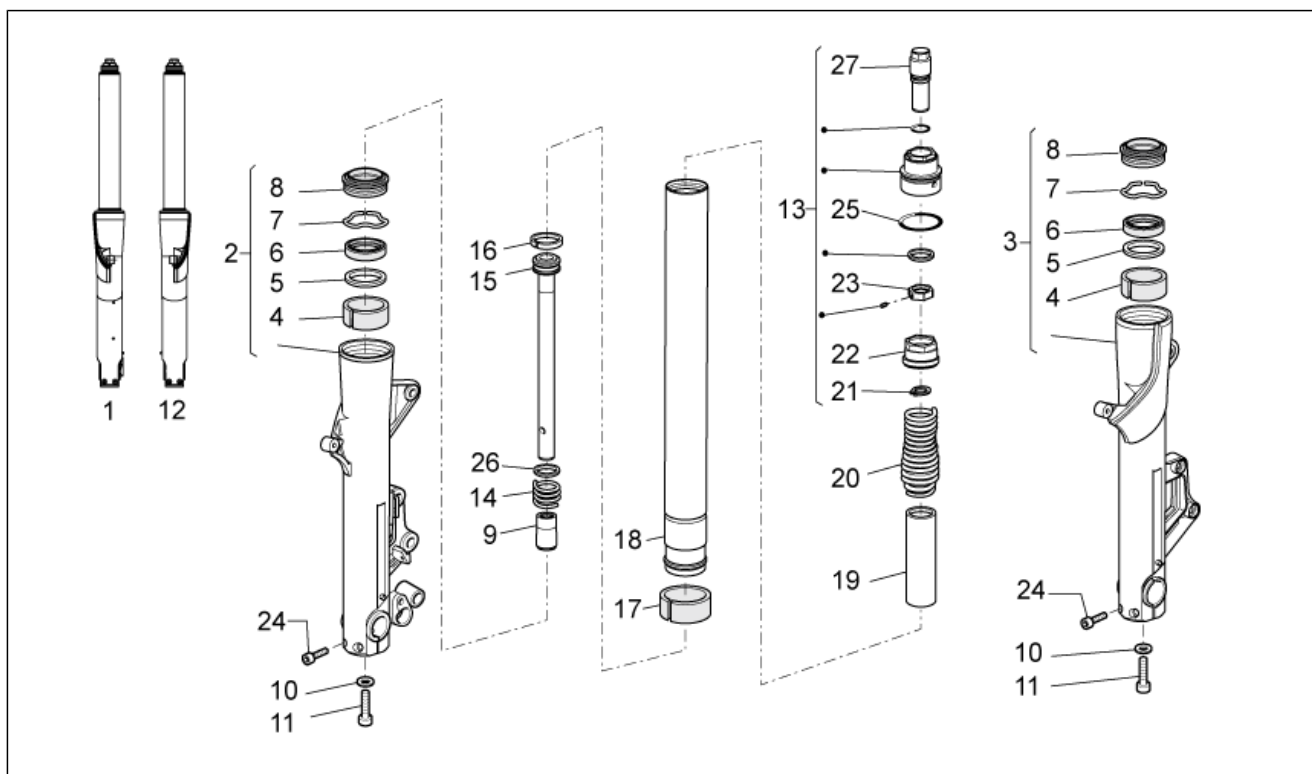
Pos.	Code	Beschrijving	Aant.	Varianten
1	GU05251130	Versnellingshendel	1	
2	AP8121221	Pin remhendel	1	
3	AP8120912	Rubbertje voor hendel	1	
4	GU98682316	Binnenzeskantbout M6x16	1	
5	AP8150462	Seegerring d9	1	
6	GU98682320	Binnenzeskantbout M6x20	1	
7	AP8144007	OR-ring 11,11x1,78	2	
8	GU95008213	Sluitring 12,2X20X2	1	
9	GU98682320	Binnenzeskantbout M6x20	1	
10	GU05258230	Hendel overbrenging	1	
11	GU92630707	Moer	2	
12	GU05257830	Trekker cpl.	1	
13	GU05256930	Hendel overbrenging	1	

Groep	FRAME
Code	33.07
Beschrijving	Steering
Revisie	1



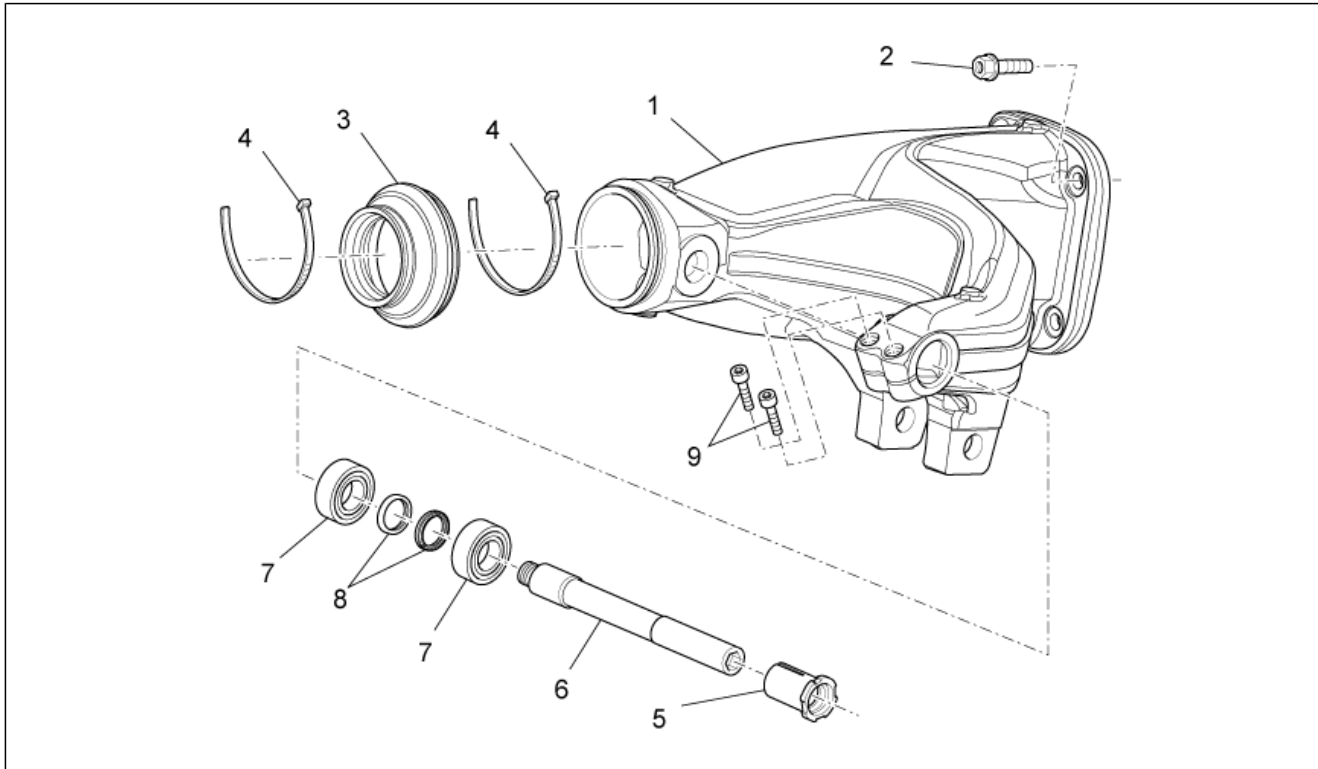
Pos.	Code	Beschrijving	Aant.	Varianten
1	897671	Plaat bov.	1	
2	GU05494030	Basis met kop	1	
3	AP8123643	Tegenmoer	1	
4	AP8121207	Veiligheidsplaatje stuur	1	
5	AP8123642	Moer	1	
6	AP8123644	Stofkeerring	1	
7	AP8123641	Stofkeerring	2	
8	AP8110077	Kogellager axiaal	2	
9	AP8121205	Huls bevest. plaat bov.	1	
10	AP8152384	Sluitring dop kop	1	
11	GU98682430	Binnenzeskantbout M8x30	2	
12	GU98682425	Binnenzeskantbout M8x25	4	
13	GU05658431	Bevestigingsplaat remleiding	1	
14	AP8152298	Bolbout met binnenzeskant, geflenst M5x16	2	
15	AP8221036	Beslagring 5,3x8x7,1	2	
16	898401	Dop schroefbedekking	1	
17	853215	Silent block	6	
18	898245	Bevest.plaat	1	
19	GU98692318	Binnenzeskantbout	1	
20	180379	O-ring 41x2,62	1	

Groep	FRAME
Code	33.08
Beschrijving	Front fork
Revisie	1



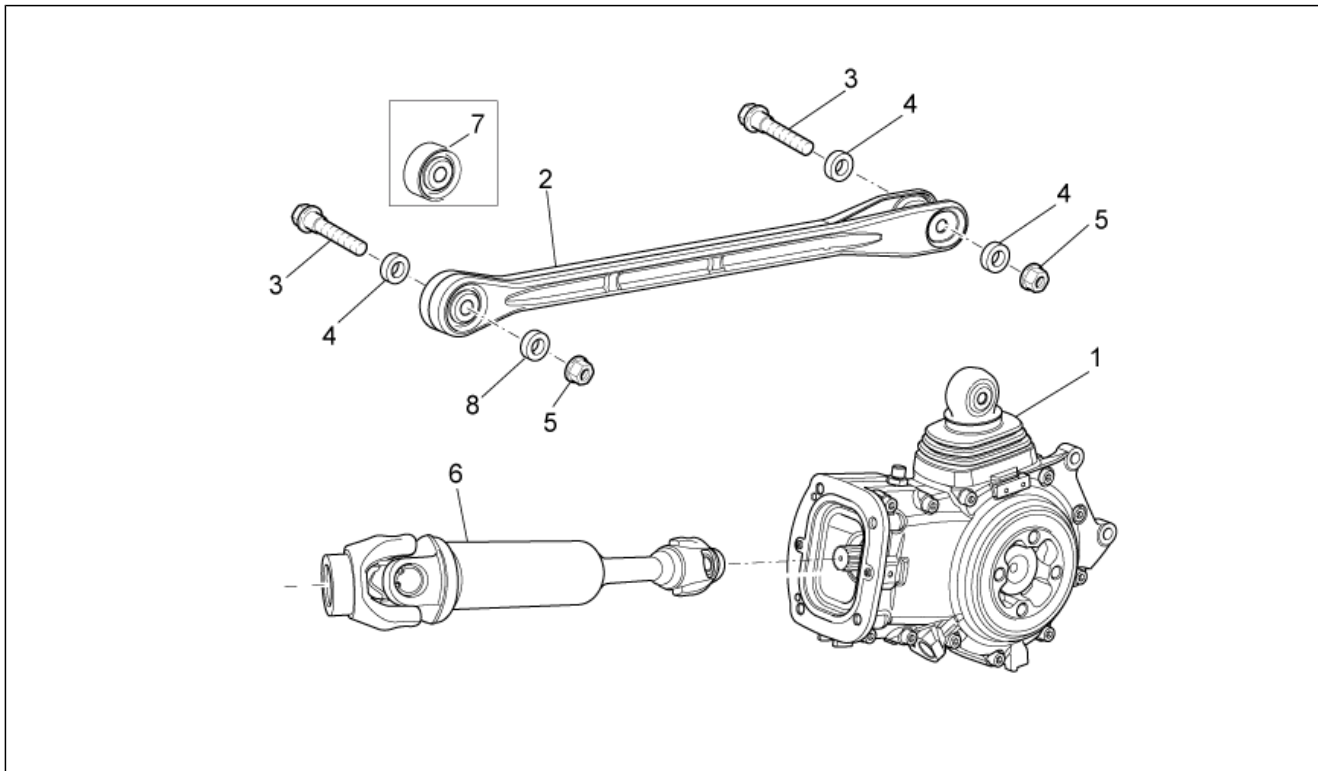
Pos.	Code	Beschrijving	Aant.	Varianten
1	981154	Stang re	1	
2	981156	Hulsel re	1	
3	GU05490730	Hulsel li	1	
4	AP8163093	Huls	2	
5	AP8163094	Plaatje 58x46x3	2	
6	AP8163095	Dichtingsring 45x58x11	2	
7	AP8163096	Blokkeerring D.63	2	
8	AP8163097	Stofkeerring D.45	2	
9	AP8123655	Buffer bodem	2	
10	AP8163091	Sluitring 14x10,5x1,5	2	
11	GU98682535	Binnenzeskantbout M10x35	2	
12	981155	Stang li	4	
13	GU05504530	Dop cpl.	2	
14	AP8163076	Tegenveer	2	
15	981084	Pompendeel cpl.	2	
16	AP8163102	Segment D39,5	2	
17	AP8163098	Huls	2	
18	GU05525430	Stang	2	
19	981158	Buis voorbelasting	2	
20	981085	Veer	2	
21	GU90271016	Blokkeerring	2	
22	GU05530532	Huls	2	
23	GU05530533	Moer	2	
24	GU98680340	Binnenzeskantbout M6x40	4	
25	GU05530536	OR-ring	2	
26	981159	Vlakte rondel D.E. 38 D.I. 12,01x2,5	2	
27	GU05530534	Pin regeling	2	

Groep	FRAME
Code	33.09
Beschrijving	Swing arm
Revisie	1



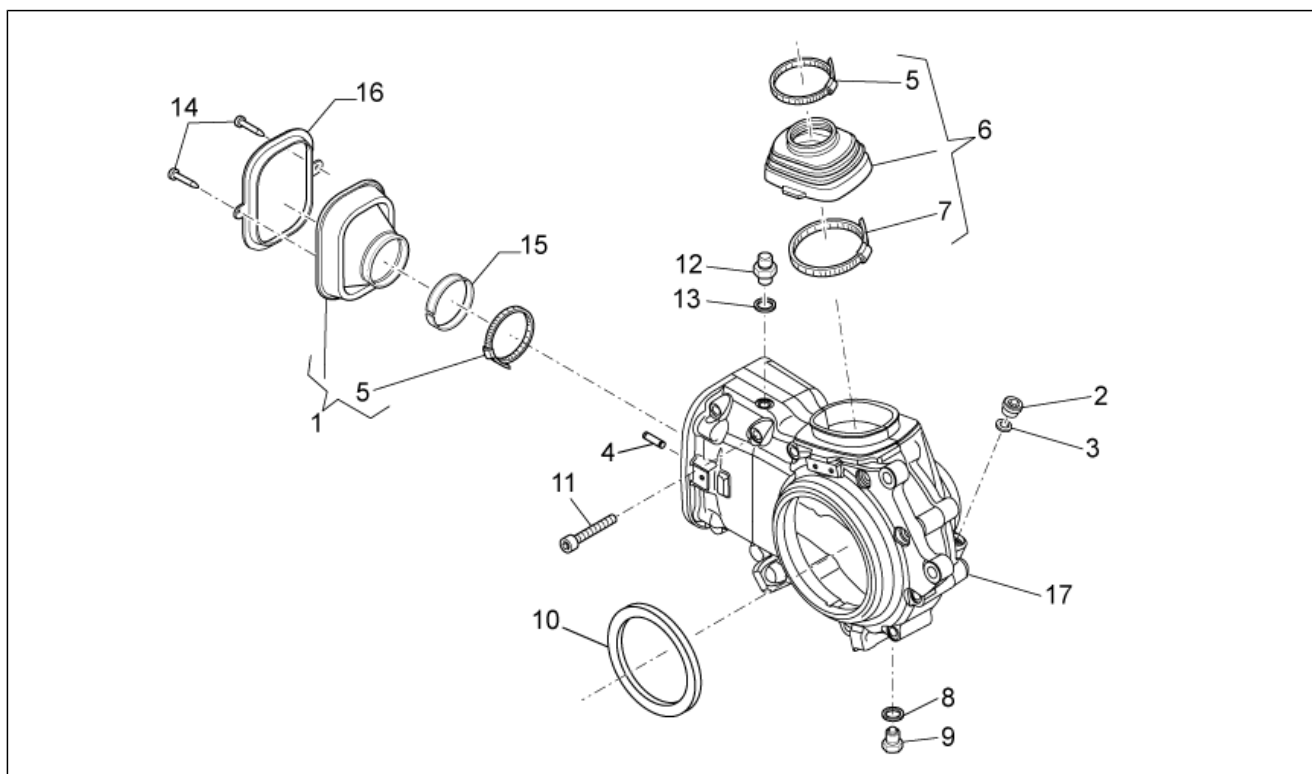
Pos.	Code	Beschrijving	Aant.	Varianten
1	978350	Vork v.zwart	1	
2	AP8152318	Zeskantbout geflenst M10x35	4	
3	883966	Blower van rubber	1	
4	GU93304390	Klemmetje 3,6x375	2	
5	GU05547130	Huls	1	
6	GU05547030	Pin	1	
7	GU92249224	Rollager 25x47x17	2	
8	GU05547930	Dichtingsring	2	
9	GU98682325	Binnenzeskantbout M6x25	2	

Groep	FRAME
Code	33.10
Beschrijving	Transmission complete
Revisie	1



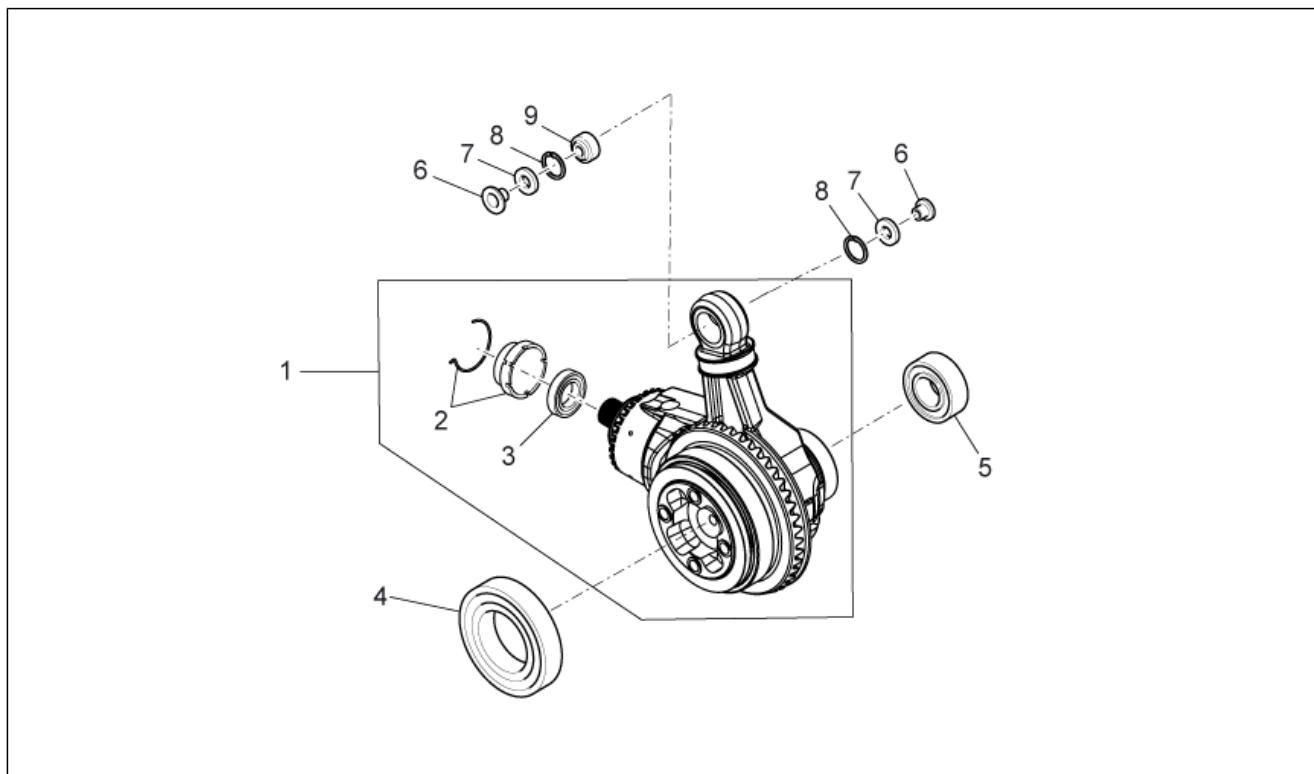
Pos.	Code	Beschrijving	Aant.	Varianten
1	976570	Doos transmissie cpl.zwart	1	
2	883046	Reactiestaaf cpl.	1	
3	AP8152410	Zeskantbout geflenst M10x55	2	
4	AP8121218	Afstandhouder 10,2x20x4	3	
5	AP8152242	Moer	2	
6	GU05326330	Drijfjas	1	
7	883045	Silent block	1	
8	GU14018400	Sluitring 10,5X21X1	1	

Groep	FRAME
Code	33.11
Beschrijving	Trans.cpl.-Cage
Revisie	1



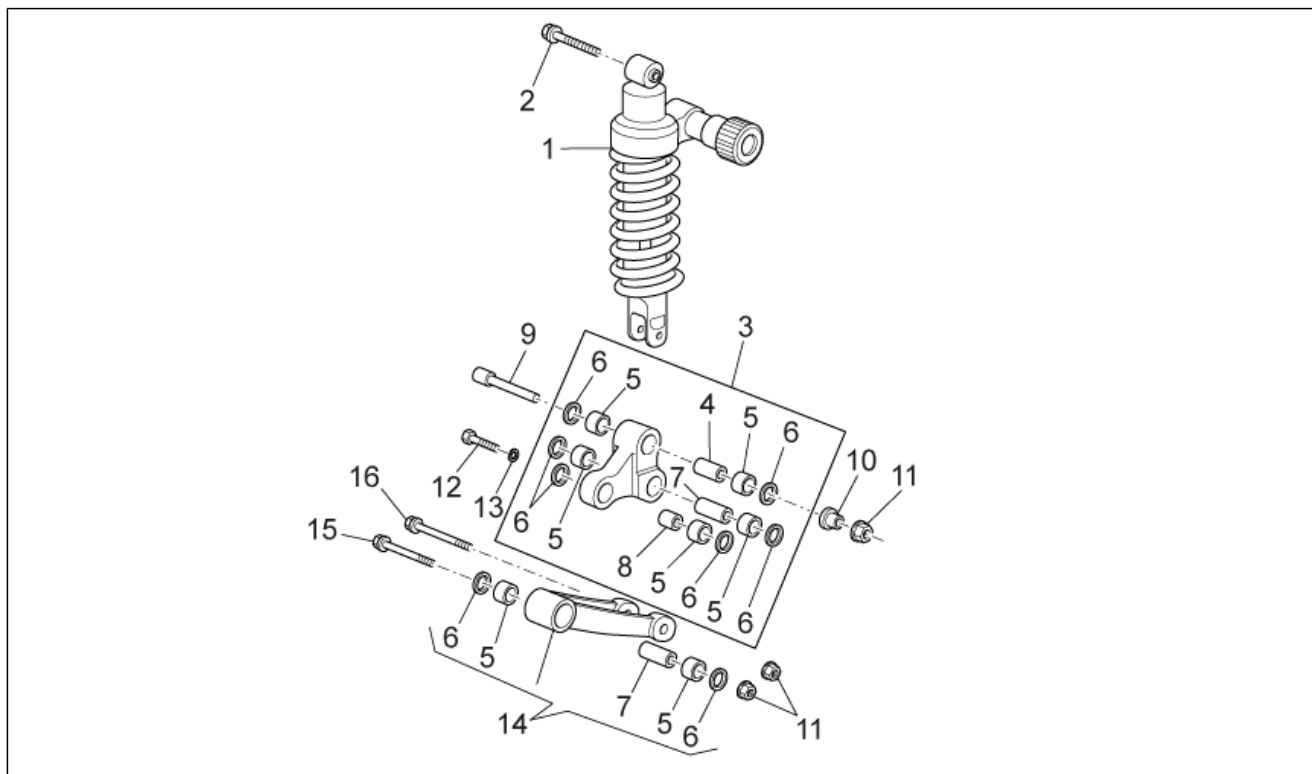
Pos.	Code	Beschrijving	Aant.	Varianten
1	GU05358330	Stofkap	1	
2	GU05351230	Oliedop M12x1,5	1	
3	GU90718120	Sluitring	1	
4	GU95510620	Plug 6x20	2	
5	GU05358130	Klemmetje	2	
6	GU05358030	Stofkap	1	
7	GU05358230	Klemmetje	1	
8	GU01528930	Pakking 10x18x1,5	1	
9	GU31003766	Afvoerdop olie M10x1	1	
10	GU90408511	Dichtingsring 85x110x8BASL	1	
11	GU98680450	Binnenzeskantbout M8x50	11	
12	GU05206530	Dop ontluchting	1	
13	GU01528930	Pakking 10x18x1,5	1	
14	GU99210406	Bout M3,9x6,5	2	
15	GU05358530	Ring	1	
16	GU05358630	Pakking	1	
17	978392	Doos transm. zwart	1	Technische specificaties: Kleur zwart[N]

Groep	FRAME
Code	33.12
Beschrijving	Trans.cpl.-Bevel gear
Revisie	1



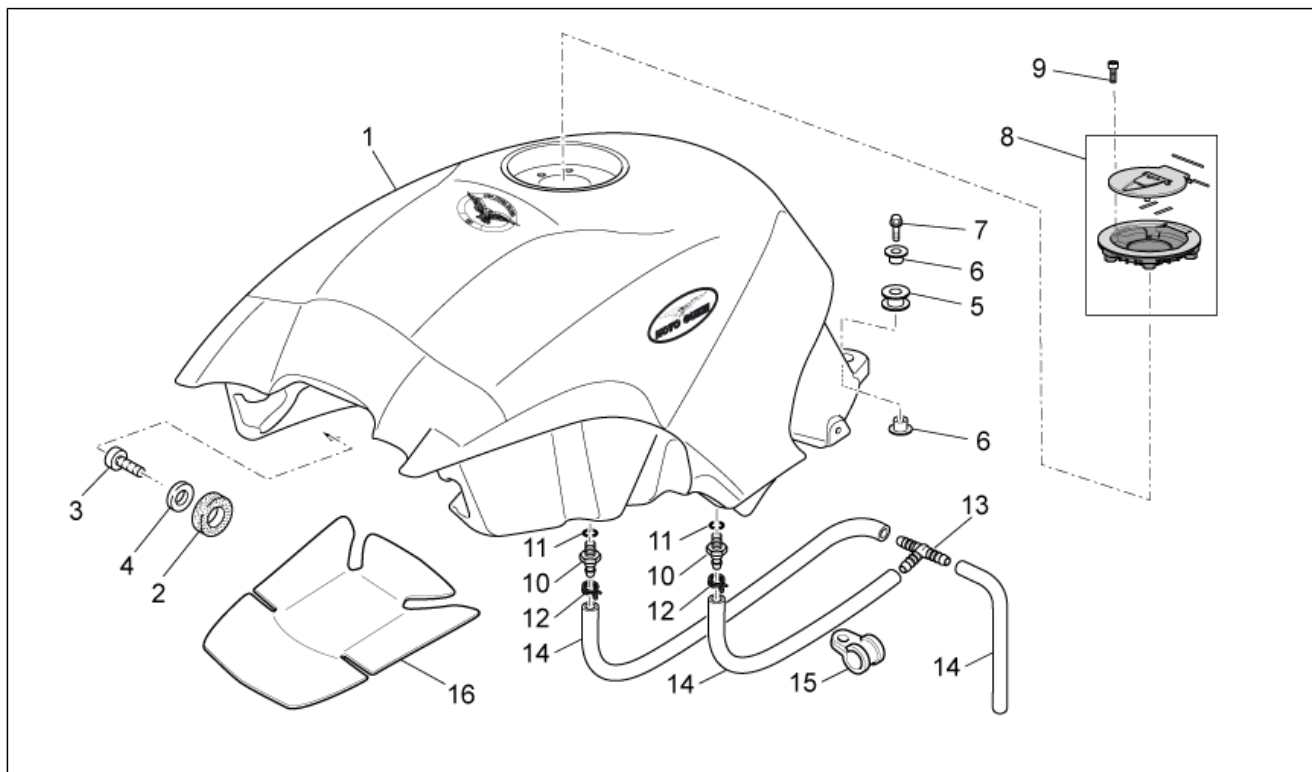
Pos.	Code	Beschrijving	Aant.	Varianten
1	976581	Kit conisch koppel 12/44	1	
2	GU05352430	Moer	1	
3	GU90404558	Dichtingsring 45x58x7	1	
4	GU92208518	Kogellager 85x120x18	1	
5	GU92204230	Kogellager 30x62x16	1	
6	AP8121098	Huls	2	
7	AP8120485	Dichtingsring	2	
8	GU90273026	Seegerring	2	
9	GU05638130	Sfeervormig buigpunt	1	

Groep	FRAME
Code	33.13
Beschrijving	Connecting rod - rear shock abs.
Revisie	1



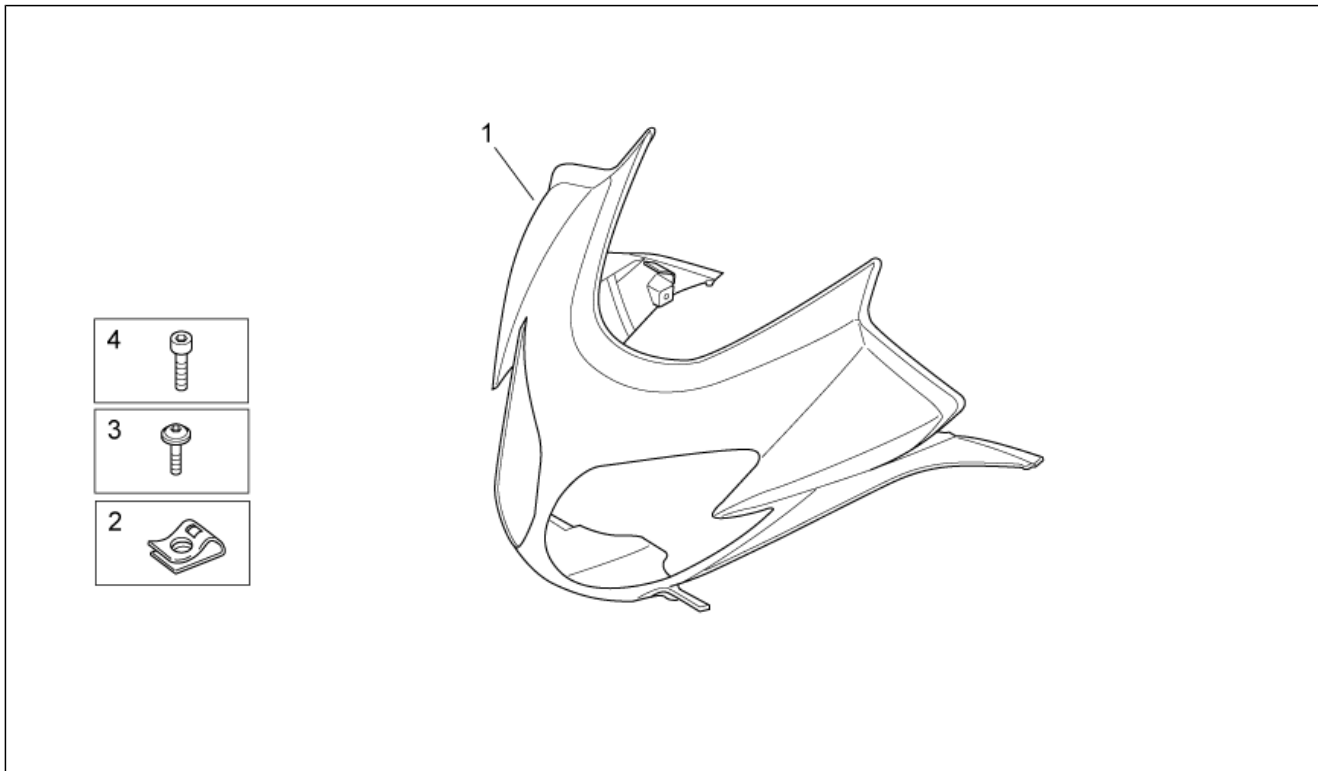
Pos.	Code	Beschrijving	Aant.	Varianten
1	883855	Schokdemper acht.	1	
2	AP8152398	Zeskantbout geflenst M10x80	1	
3	GU05560330	Dubbele drijfstang	1	
4	AP8135924	Zuigerpen dubbele drijfstang L40	1	
5	AP8110066	Rolhuls	7	
6	AP8110068	Oliekeerring D18x24x3	8	
7	GU05562030	Zuigerpen dubbele drijfstang L47	2	
8	AP8135608	Zuigerpen dubbele drijfstang L25	1	
9	AP8152397	Binnenzeskantbout M10x82	1	
10	AP8121155	'T'-vormige huls *	1	
11	AP8152301	Zelfborg.bout gefl.	3	
12	AP8152147	Zeskantbout M10x47	1	
13	AP8150292	Elastische kromme sluitring *	1	
14	GU05562430	Enkele drijfstang cpl.	1	
15	AP8152482	Zeskantbout geflenst M10x85	1	
16	AP8152396	Zeskantbout geflenst M10x95	1	

Groep	FRAME
Code	33.14
Beschrijving	Fuel tank
Revisie	1



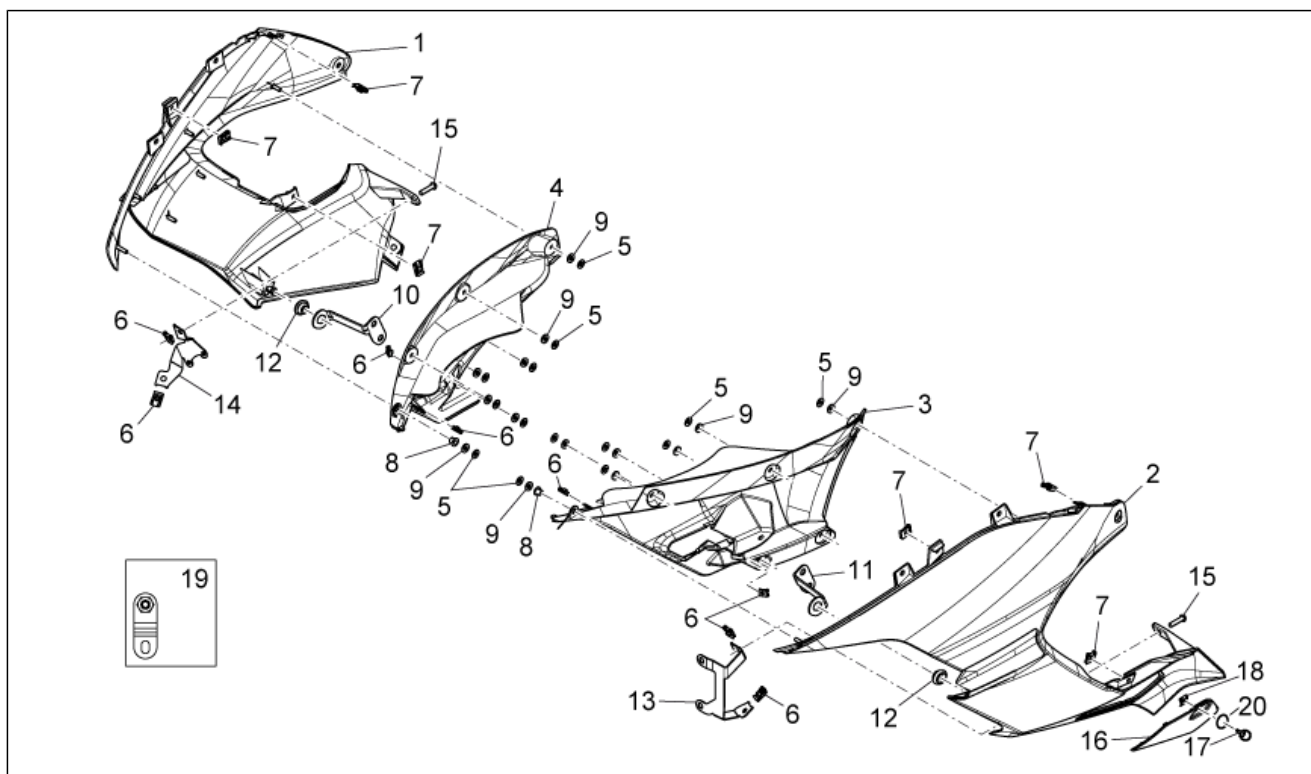
Pos.	Code	Beschrijving	Aant.	Varianten
1	GU05100230	Brandstoftank ruw	1	Kleur van het voertuig:Onbewerkt[GR]
1	GU0510023000YA1	Benzinetank v.azuurbl.	1	
2	AP8201124	Rubbetje *	2	
3	GU98682414	Binnenzeskantbout	2	
4	GU95008208	Sluitring 8,4X15X1,5	2	
5	GU02107100	Rubbetje	1	
6	AP8121804	Afstandhouder *	2	
7	AP8152291	Zeskantbout geflenst	1	
8	GU05103930	Tankdop	1	
9	B043864	Binnenzeskantbout M5x14	4	
10	GU30103730	Verbinding	2	
11	AP8120965	OR-ring 2018	2	
12	AP8101595	Klemmetje D10,1	2	
13	AP8104666	Driewegsverbinding	1	
14	896544	Benzineleiding 5,5x10	3	
15	AP8104451	Kabelgeleider	2	
16	GU05102930	Hittewerend paneel cent.	1	

Groep	FRAME
Code	33.16
Beschrijving	Front body I
Revisie	1



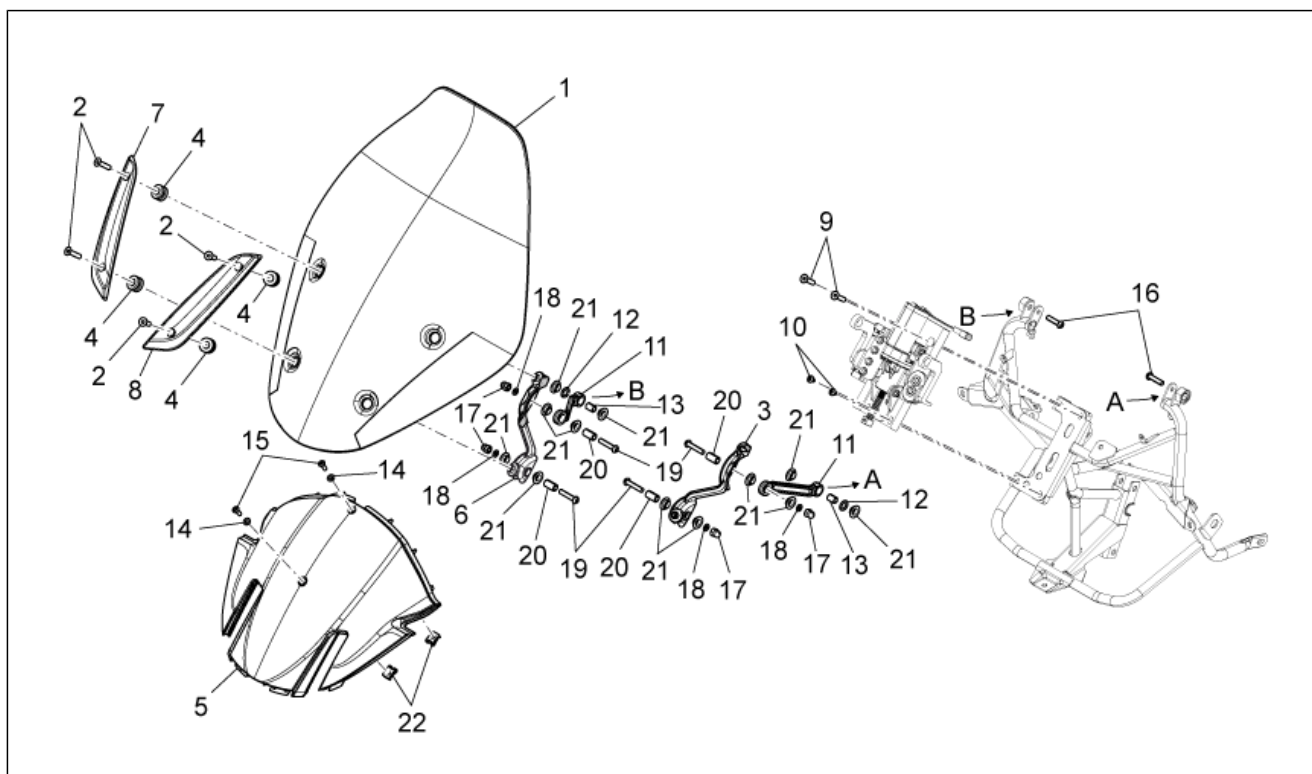
Pos.	Code	Beschrijving	Aant.	Varianten
1	884251	Kapje ruw P.A.	1	
1	88425100YA1	Kapje v.azuurbl.	1	
2	248419	Spring plate m5	12	
3	AP8152339	Bolbout met binnenzeskant, geflenst M5x9	8	
4	GU98692216	Binnenzeskantbout	2	

Groep	FRAME
Code	33.17
Beschrijving	Front body II
Revisie	1



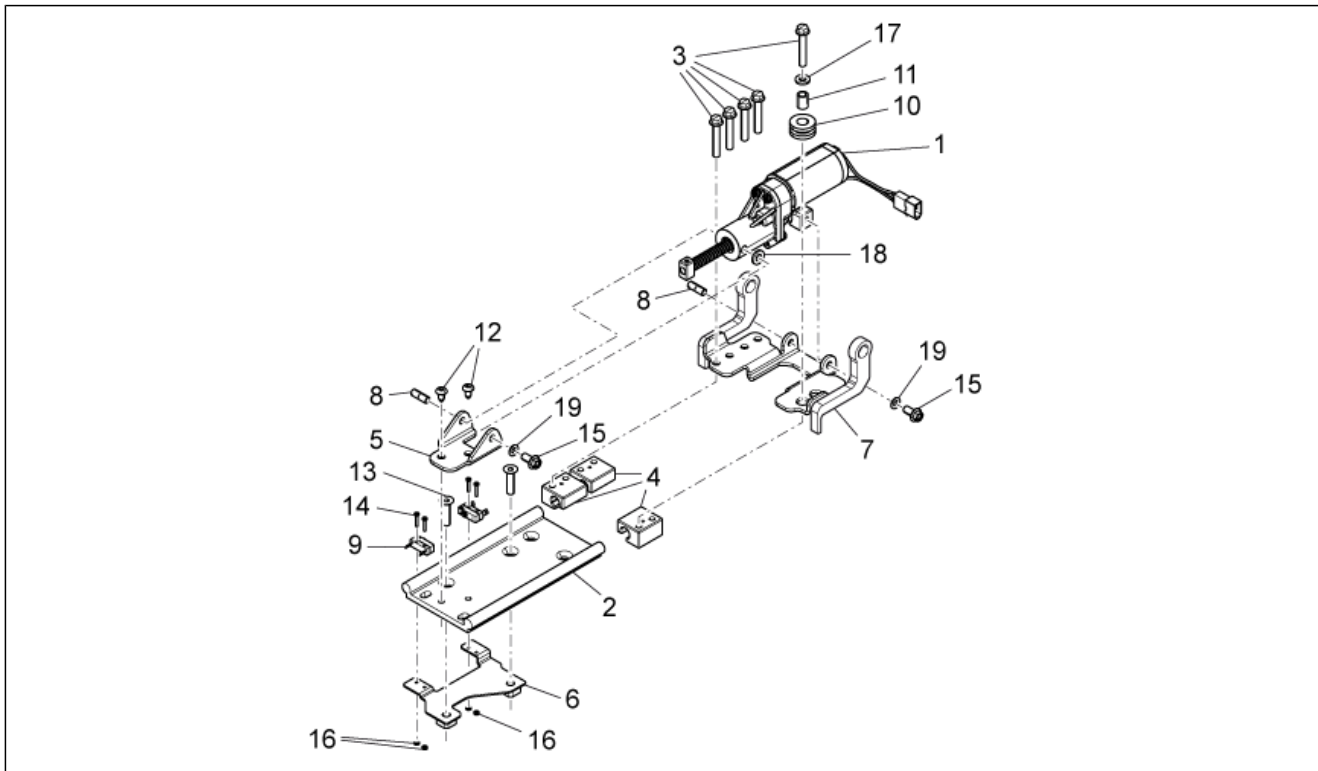
Pos.	Code	Beschrijving	Aant.	Varianten
1	884247	Zijbekleding re ruw P.A.	1	
1	88424700YA1	Zijbekleding re v.azuurbl.	1	
2	884248	Zijbekleding li ruw P.A.	1	
2	88424800YA1	Zijbekleding li v.azuurbl.	1	
3	884250	Bekleding int.li P.A.	1	
4	884249	Bekleding int.re P.A.	1	
5	AP8150450	Sluitring voor assen D5	14	
6	AP8102381	Clip M4	10	
7	AP8102375	Clip m5	6	
8	AP8121795	'T'-vormige huls	2	
9	479882	Afstandhouder	14	
10	977125	Plaat re	1	
11	977126	Plaat li	1	
12	AP8220162	Rubbetje	2	
13	977121	Plaat acht.li	1	
14	977119	Plaat acht.re	1	
15	AP8152339	Bolbout met binnenzeskant, geflenst M5x9	4	
16	883526	Deurtje	1	
16	88352600YA1	Sportello verifica olio azzurro	1	
17	887426	Pin 1/4 di giro	1	
18	GU97240600	Reservoir	1	
19	883747	Plaatje	1	
20	AP8120965	OR-ring 2018	1	

Groep	FRAME
Code	33.18
Beschrijving	Electro-Windscreen II
Revisie	1



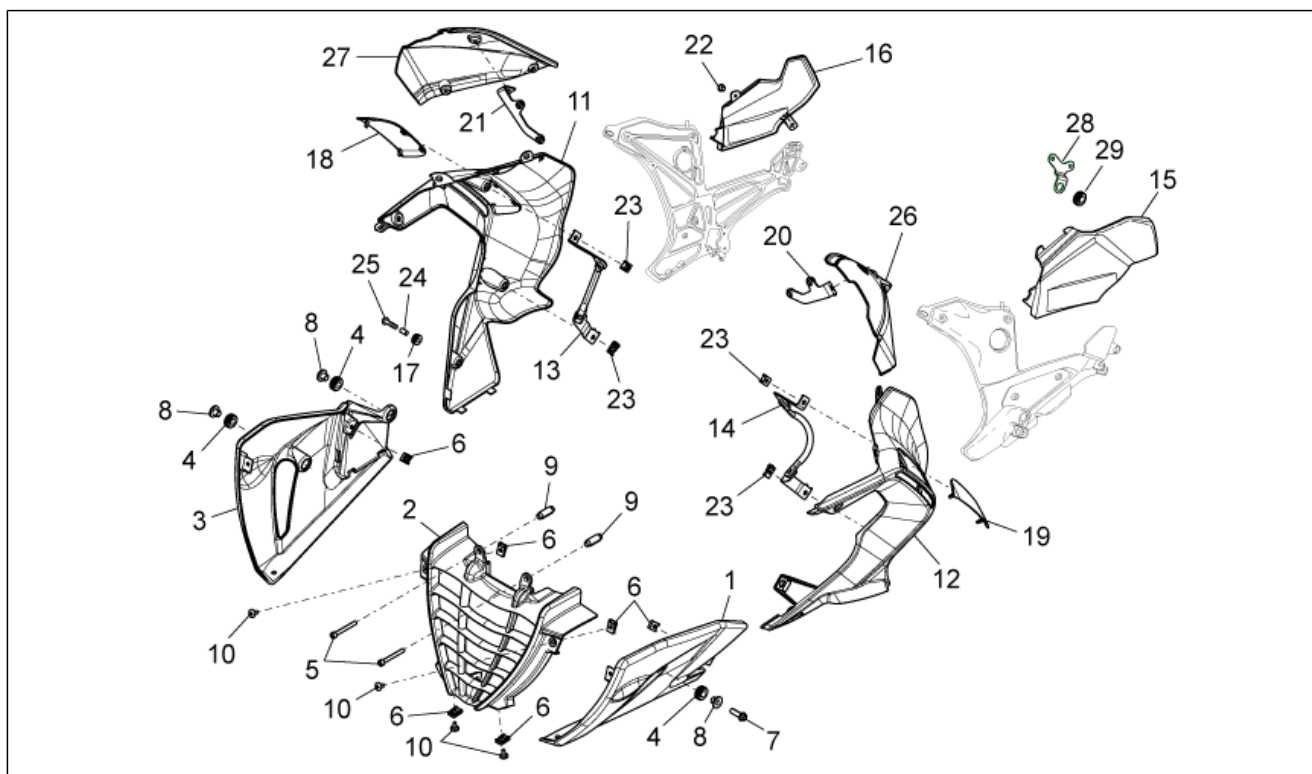
Pos.	Code	Beschrijving	Aant.	Varianten
1	883810	Windscherm	1	
2	655467	Bout TSEI	4	
3	653027	Houder windscherm li	1	
4	576565	Cilindrische kabelgeleider	4	
5	2B000862	Bedekking voor.	1	
6	653028	Houder windscherm re	1	
7	653157	Beugel re	1	
8	653156	Beugel li	1	
9	840542	Bout TSEI	2	
10	274369	Bolbout met binnenzeskant M6x12	2	
11	883790	Drijfstangetje	2	
12	271695	Dichtingsring	2	
13	259658	Afstandhouder	2	
14	AP8144565	Sluitring in nylon	2	
15	GU98370412	Bolbout met binnenzeskant M4x12	2	
16	GU98370625	Bolbout met binnenzeskant	2	
17	479175	Moer blind	4	
18	006966	Spring washer 6,4x11x0,5	4	
19	620365	Bolbout met binnenzeskant M6x30	4	
20	977644	Afstandhouder	4	
21	977645	Beslagring	12	
22	AP8102381	Clip M4	2	

Groep	FRAME
Code	33.19
Beschrijving	Electro-Windscreen I
Revisie	1



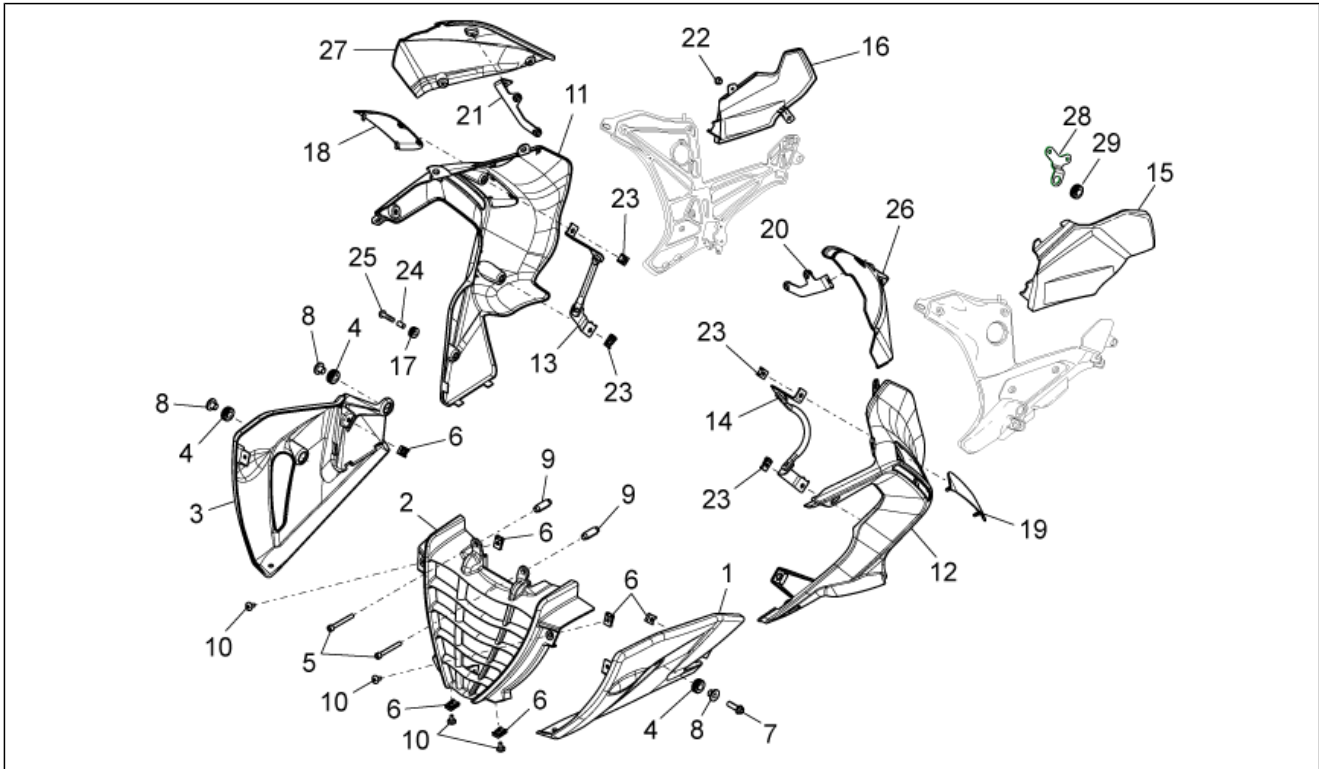
Pos.	Code	Beschrijving	Aant.	Varianten
1	655463	Elektrische motor	1	
2	655461	Sliding guide	1	
3	018639	Zeskantbout M6x20	6	
4	977638	Schuifblokje	3	
5	655679	Plaatje	1	
6	654172	Steunbeugel	1	
7	883795	Plaat ond.	1	
8	655465	Geschroefdr. pin	2	
9	640468	Schakelaar	2	
10	487665	Kabelwartel	2	
11	231908	Afstandhouder	2	
12	274369	Bolbout met binnenzeskant M6x12	2	
13	840542	Bout TSEI	2	
14	654174	Bout TC M2x12*	4	
15	AP8152277	Zeskantbout geflenst M6x12	2	
16	654175	Moer M2*	4	
17	003056	Vlakke rondel 6,4x12x1	2	
18	013880	Vlakke rondel 16x6,5x1,5	1	
19	006976	Elastische sluitring 12x6,4x0,5	2	

Groep	FRAME
Code	33.20
Beschrijving	Central body
Revisie	1



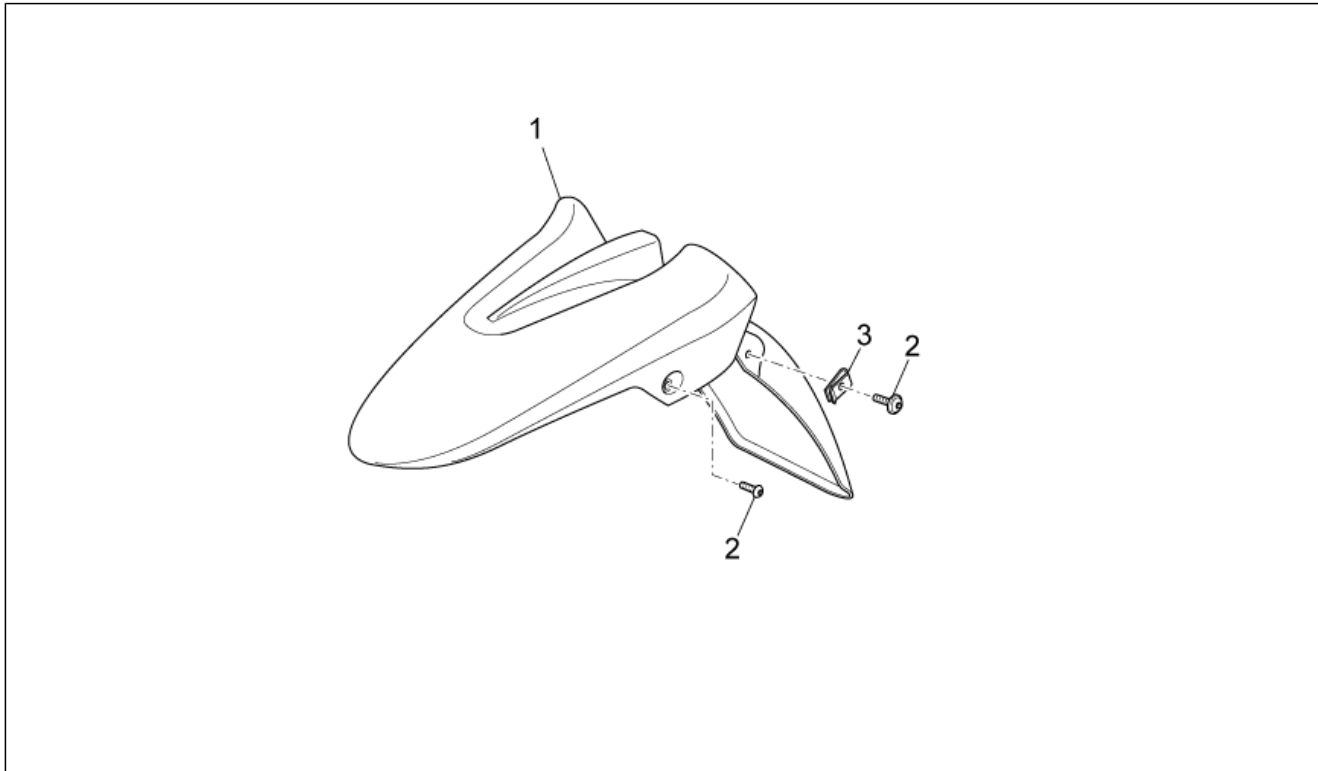
Pos.	Code	Beschrijving	Aant.	Varianten
1	883890	Punt li	1	
1	88389000YA1	Puntale sx verniciato	1	
2	883891	Rooster	1	
3	883889	Punt re	1	
3	88388900YA1	Puntale dx verniciato	1	
4	AP8120594	Rubbetje	3	
5	AP8150324	Binnenzeskantbout M6x50	2	
6	AP8102375	Clip m5	6	
7	AP8152287	Zeskantbout geflenst M8x25	1	
8	AP8221128	'T'-vormige huls 8,5x10,7x12	3	
9	898051	Afstandhouder	2	
10	AP8150500	Bolbout met binnenzeskant M5x9	4	
11	883518	Zijplaat re ruw	1	
11	88351800YA1	Zijplaat re v.azuurbl.	1	
12	883519	Zijplaat li ruw	1	
12	88351900YA1	Zijplaat li v.azuurbl.	1	
13	977619	Houder re	1	
14	977623	Houder li	1	
15	884277	Zijplaatje acht.li P.A.	1	
16	884278	Zijplaatje acht.re P.A.	1	
17	AP8120405	Rubbetje	6	
18	883520	Bedekking re	1	
19	883521	Bedekking li	1	
20	883946	Plaat li	1	
21	883947	Plaat re	1	
22	GU31576183	Afstandhouder	1	
23	AP8102375	Clip m5	4	
24	GU91180506	Afstandhouder	4	

Groep	FRAME
Code	33.20
Beschrijving	Central body
Revisie	1



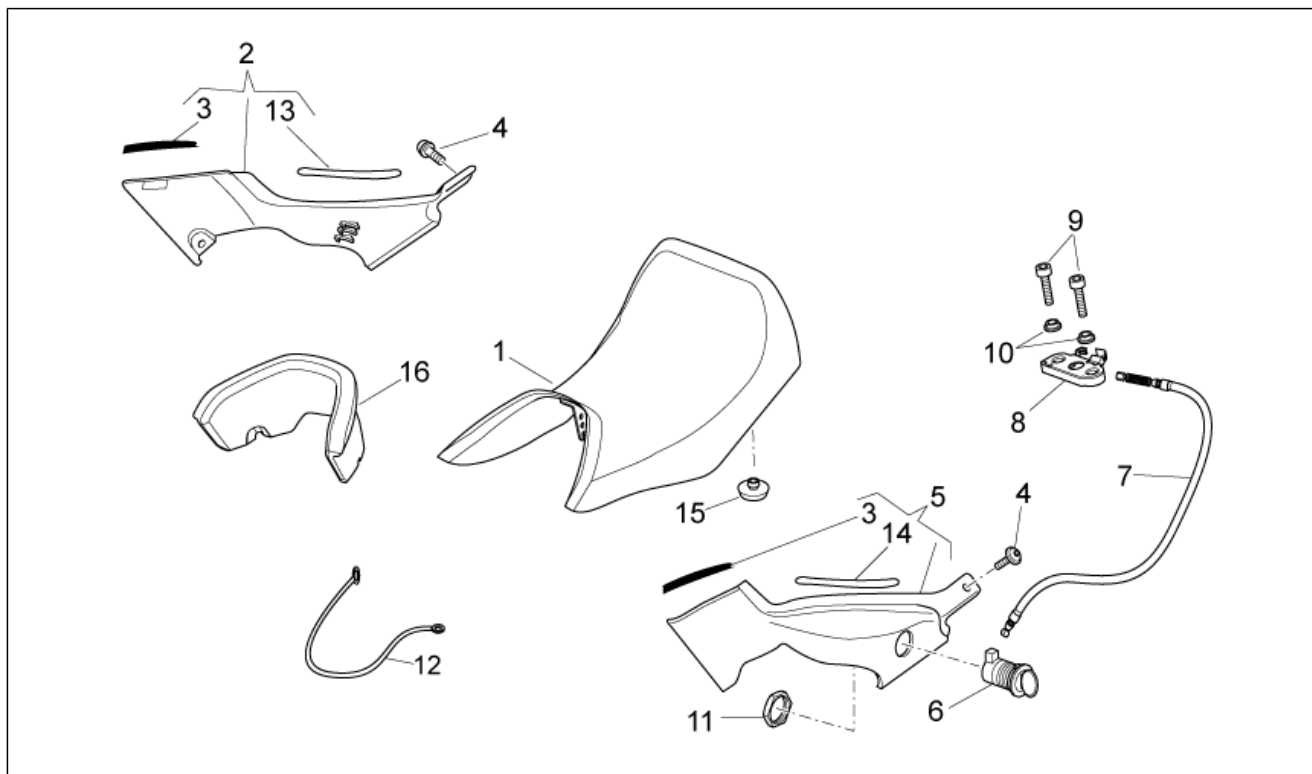
Pos.	Code	Beschrijving	Aant.	Varianten
25	AP8152298	Bolbout met binnenzeskant, geflenst M5x16	6	
26	883630	Wand li	1	
27	883629	Wand re	1	
28	898254	Bevest.plaat zijplaatje	1	
29	AP8120030	Rubbertje	1	

Groep	FRAME
Code	33.22
Beschrijving	Front mudguard
Revisie	1



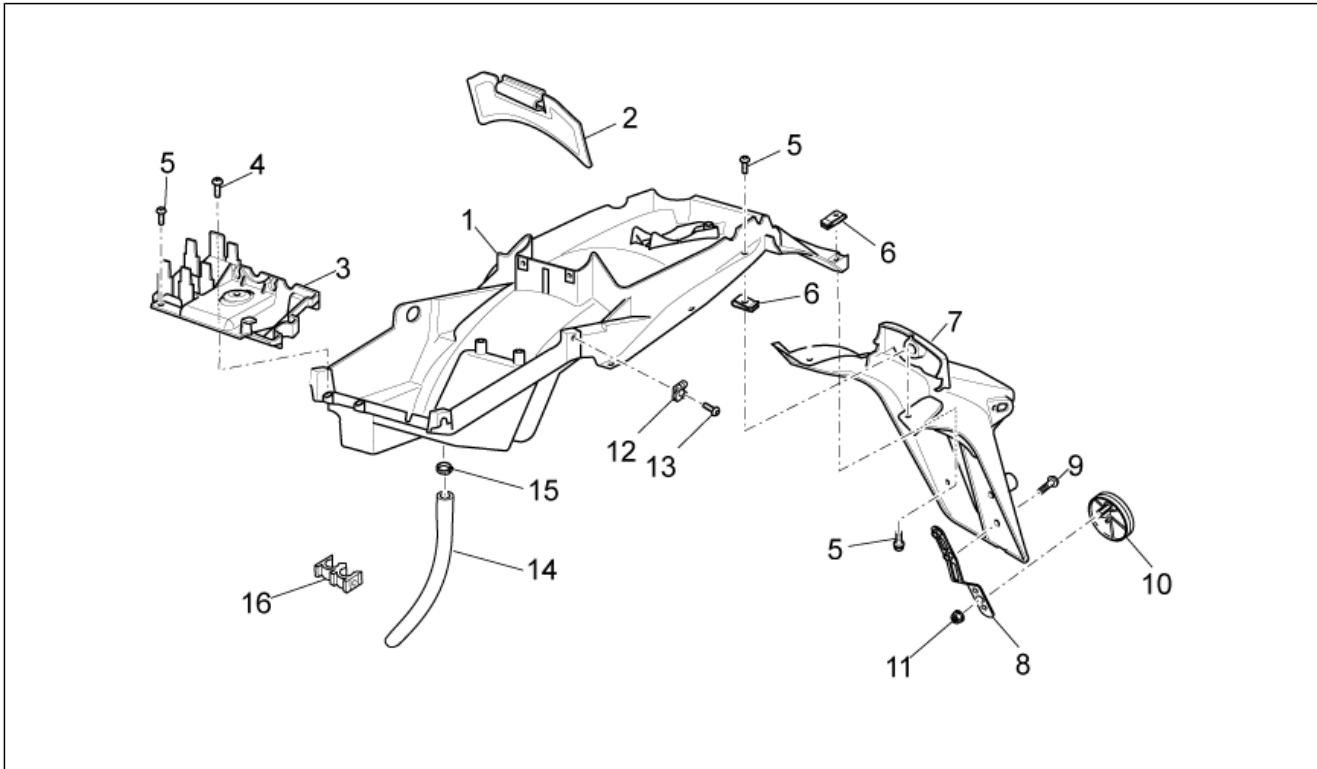
Pos.	Code	Beschrijving	Aant.	Varianten
1	GU05434330	Spatbord voor.ruw	1	
1	GU0543433000YA1	Spatbord voor.azuurbl.	1	
2	AP8152302	Bolbout met binnenzeskant, geflenst M5x12	4	
3	AP8102375	Clip m5	2	

Groep	FRAME
Code	33.23
Beschrijving	Saddle-Central bod
Revisie	1



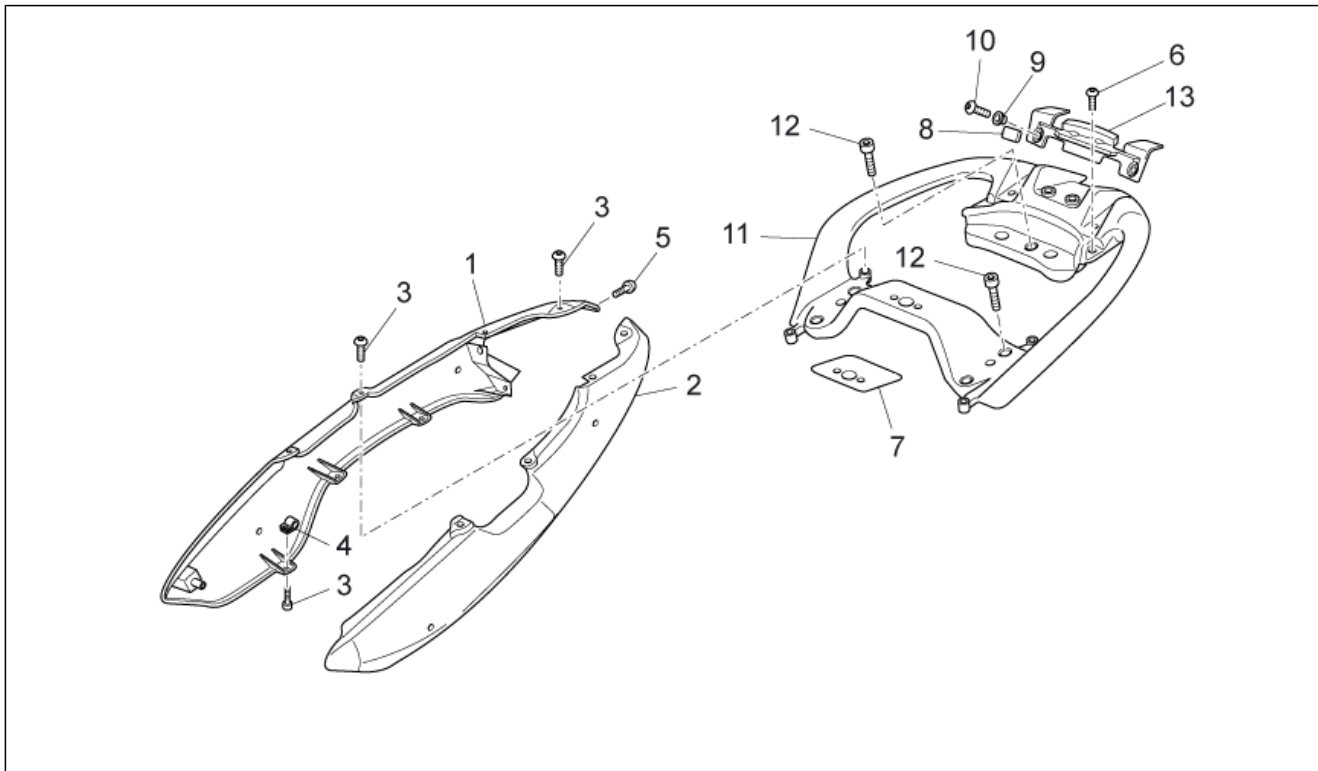
Pos.	Code	Beschrijving	Aant.	Varianten
1	978123	Eenpersoonszadel zwart	1	
2	GU05570230	Zijplaatje re ruw	1	
2	GU0557023000YA1	Zijplaatje re v.azuurbl.	1	
3	890517	Pakking kapje	2	
4	AP8152339	Bolbout met binnenzeskant, geflenst M5x9	2	
5	883496	Zijplaatje li ruw	1	
5	88349600YA1	Zijplaatje li v.azuurbl.	1	
6	GU05466830	Zadelslot	1	
7	AP8102914	Kabel slot zadel	1	
8	AP8102913	Koppelingsplaat zadel pass.	1	
9	GU98370625	Bolbout met binnenzeskant	2	
10	AP8152299	Zelfborg.bout gefl. M6	2	
11	AP8102523	Moer slot M22x1,5	1	
12	AP8102502	Kabel koppeling helm	1	
13	GU05573830	Decalco besch. zijplaat re	1	
14	GU05573831	Decalco besch. zijplaat li	1	
15	GU32461810	Rubbertje	6	
16	978074	Tankbedekking	1	

Groep	FRAME
Code	33.24
Beschrijving	Rear body - Mudguard
Revisie	1



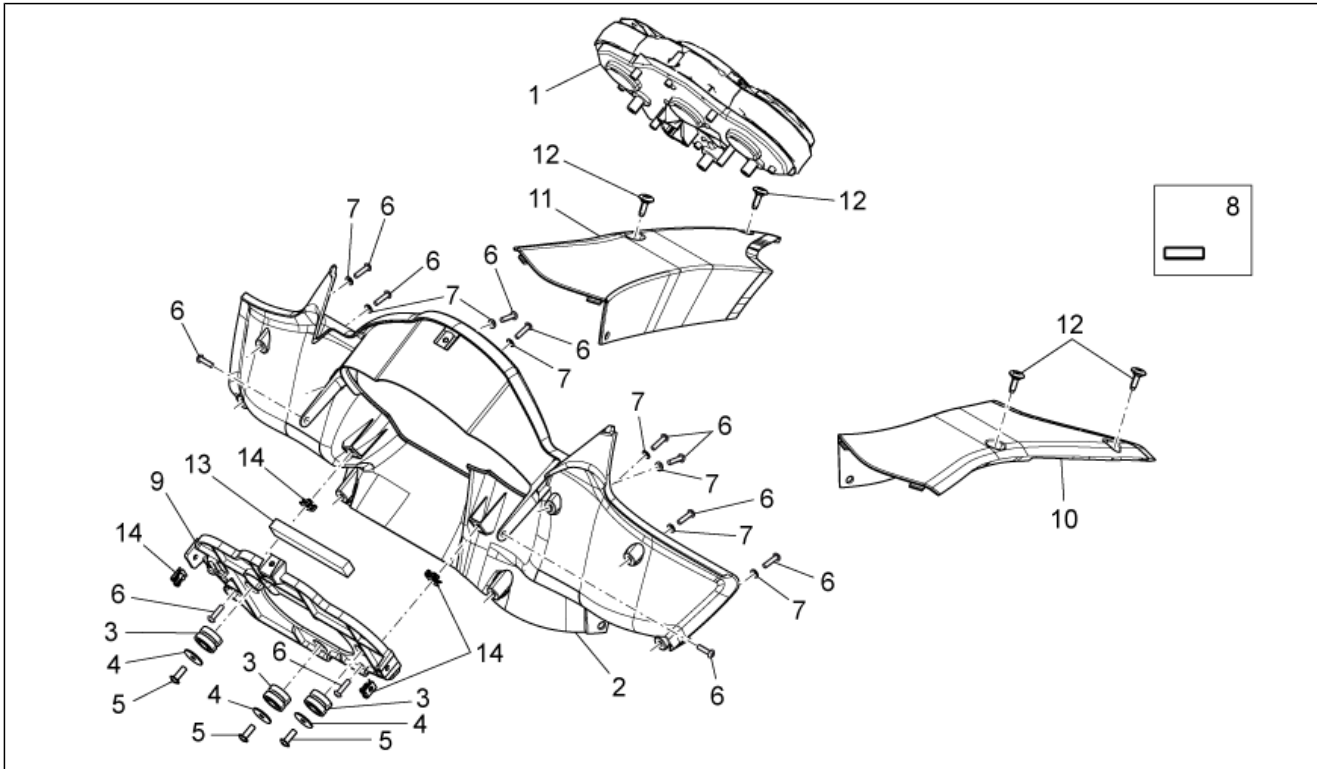
Pos.	Code	Beschrijving	Aant.	Varianten
1	883864	Spatbordjes	1	
2	GU05479630	Deurtje	1	
3	883682	Houder ABS	1	
4	AP8152329	Bout SWP kruiskop gefl. M5x20	3	
5	AP8152339	Bolbout met binnenzeskant, geflenst M5x9	7	
6	AP8102375	Clip m5	4	
7	GU05438630	Nummerplaathouder	1	
8	AP8134448	Houder reflector	1	
9	AP8152268	Speciale bolbout met binnenzeskant M5x16	2	
10	AP8224164	Reflector rood	1	
11	AP8152306	Zelfborg.bout gefl. m5	1	
12	GU28576591	Clip M6	6	
13	GU98370614	Bolbout met binnenzeskant M6x14	6	
14	896544	Benzineleiding 5,5x10	1	
15	AP8101595	Klemmetje D10,1	1	
16	AP8201808	Kabelgeleider D8	2	

Groep	FRAME
Code	33.25
Beschrijving	Rear body - Rear fairing
Revisie	1



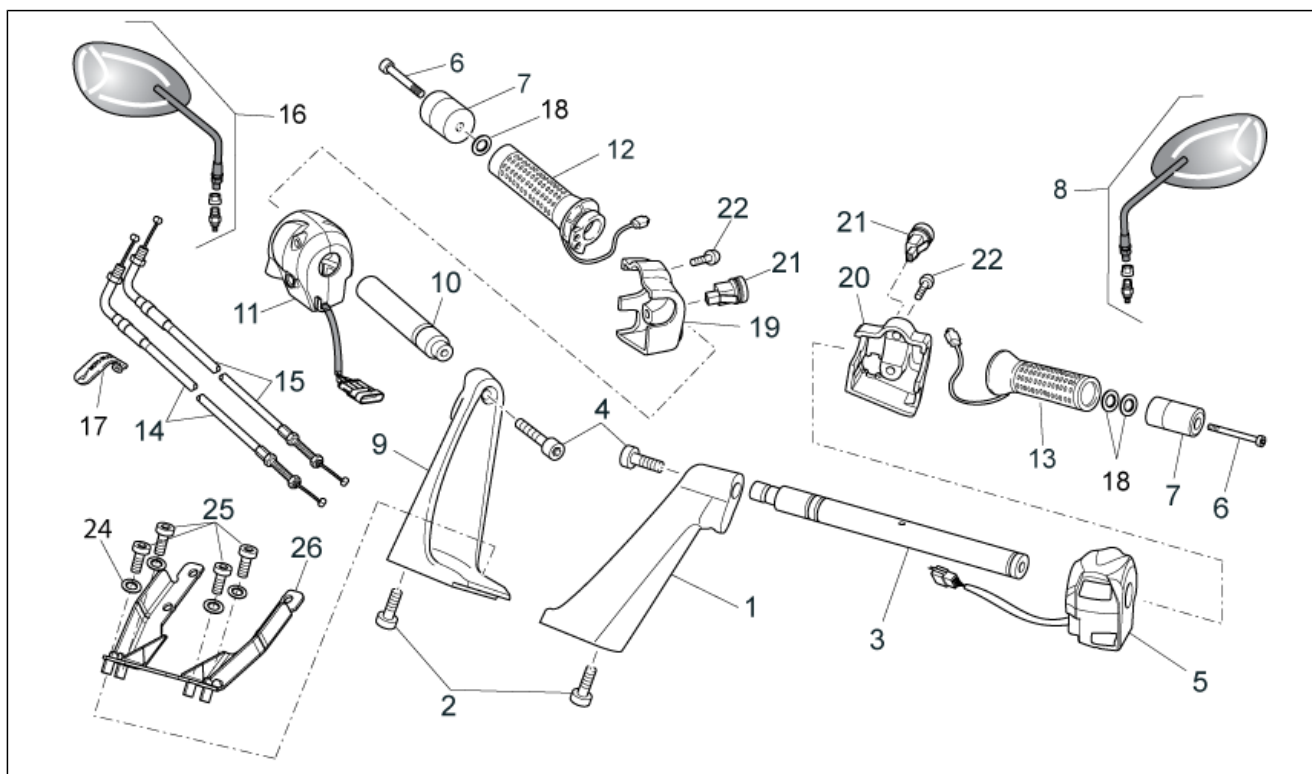
Pos.	Code	Beschrijving	Aant.	Varianten
1	GU05573230	Eindstuk re ruw	1	
1	GU0557323000YA1	Eindstuk re v.azuurbl.	1	
2	GU05573330	Eindstuk li ruw	1	
2	GU0557333000YA1	Eindstuk li	1	
3	AP8152339	Bolbout met binnenzeskant, geflenst M5x9	10	
4	AP8102375	Clip m5	10	
5	GU98682215	Binnenzeskantbout	2	
6	AP8152302	Bolbout met binnenzeskant, geflenst M5x12	2	
7	GU32944210	Plaat bescherming	1	
8	AP8120455	Rubbertje	2	
9	AP8121096	'T'-vormige huls 8,2x12x4	2	
10	AP8152055	Bolbout met binnenzeskant M8x12	2	
11	2B0010545	Handgreep acht.	1	
12	GU98682425	Binnenzeskantbout M8x25	5	
13	GU05464830	Bedekking	1	

Groep	FRAME
Code	33.29
Beschrijving	Dashboard
Revisie	1



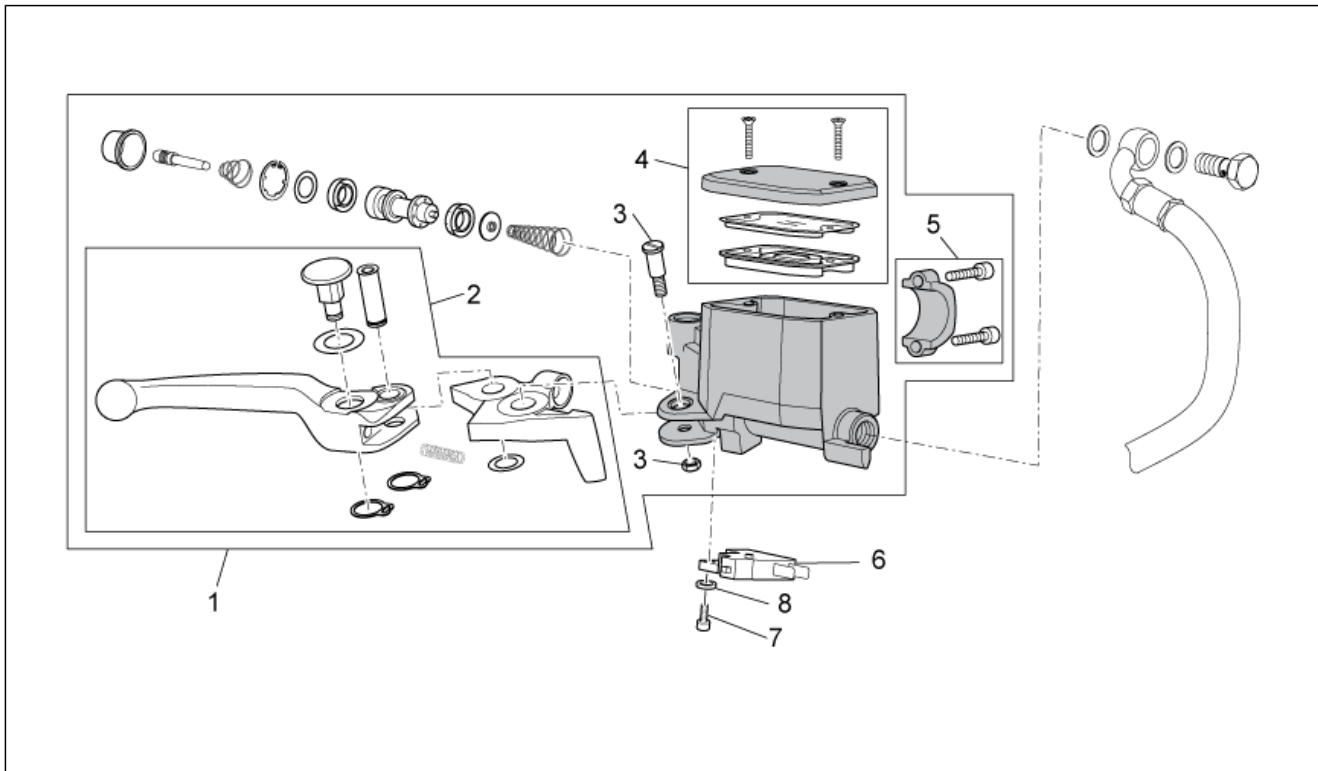
Pos.	Code	Beschrijving	Aant.	Varianten
1	883567	Dashboard	1	
2	897582	Steun dashboard	1	
3	AP8220150	Rubbetje	3	
4	AP8150255	Sluitring 5x20x1,5	3	
5	AP8150509	Zelftap. bout 5x14	3	
6	581957	Bolbout met binnenzeskant	12	
7	AP8144565	Sluitring in nylon	8	
8	883720	Rubbetje	1	
9	897585	Flens bevest.	1	
10	2B000860	Instrum.bord li	1	
11	897580	Instrum.bord re	1	
12	AP8152302	Bolbout met binnenzeskant, gefenst M5x12	4	
13	GU01573960	Spons	1	
14	AP8102381	Clip M4	4	

Groep	FRAME
Code	33.31
Beschrijving	Handlebar - Controls
Revisie	1



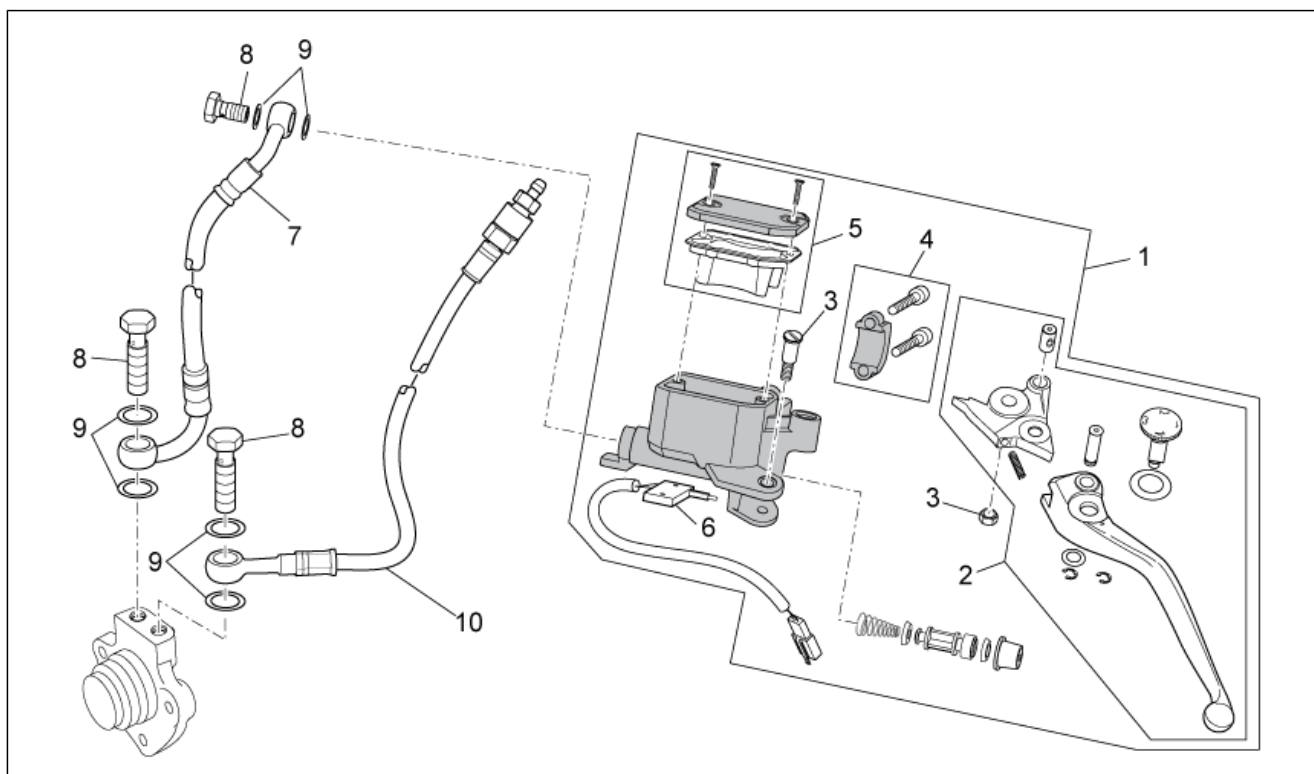
Pos.	Code	Beschrijving	Aant.	Varianten
1	898129	Halfstuur li	1	
2	GU98690440	Bout TCEI M8x40	6	
3	GU05600930	Stuurbuis li	1	
4	GU98832430	Bout	2	
5	886229	Schak.lichten li	1	
6	GU98680370	Bout M6x70	2	
7	AP8104572	Antitrilgewicht v.zwart	2	
8	AP8104922	Achteruitkijkspiegel li	1	
9	898128	Halfstuur re	1	
10	GU05600230	Stuurbuis re	1	
11	886160	Systeem re	1	
12	977906	Handvat re verwarmd	1	
13	AP8706527	Handvat li verwarmd	1	
14	886632	Transmissie gascommando	1	
15	886633	Transm. sluiting gas	1	
16	AP8104921	Achteruitkijkspiegel re	2	
17	GU01609630	Klemmetje L46 mm	2	
17	GU03609600	Klemmetje L36 mm	4	
18	GU05604630	Afstandhouder 6x21x4	3	
19	977628	Beugel re	1	
20	977629	Beugel li	1	
21	977740	Knop	2	
22	GU98612325	Bout M6x25	2	
24	AP8150210	Elastische kromme sluitring *	4	
25	GU98680465	Bout	4	
26	2B000790	Steunbeugel radio	1	

Groep	FRAME
Code	33.32
Beschrijving	Front master cilinder
Revisie	1



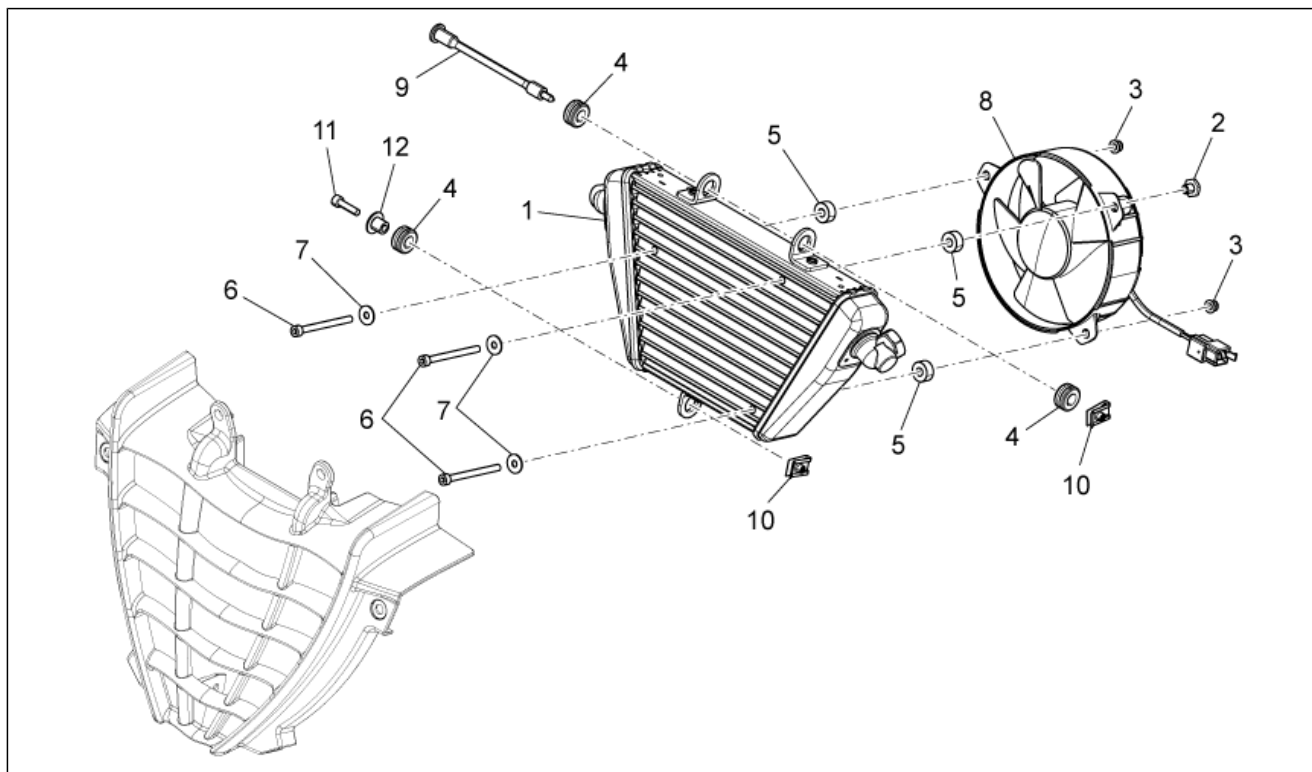
Pos.	Code	Beschrijving	Aant.	Varianten
1	978606	Pomp voorrem	1	
2	981050	Hendel voorrem.	1	
3	AP8113995	Pin hendel	1	
4	GU05661130	Tankdop	1	
5	AP8113993	Beugel	1	
6	AP8224192	Stopschakelaar met rubberkje	1	
7	GU98370412	Bolbout met binnenzeskant M4x12	1	
8	GU95021104	Sluitring 4,3x8x1,5	1	

Groep	FRAME
Code	33.33
Beschrijving	Clutch control complete
Revisie	1



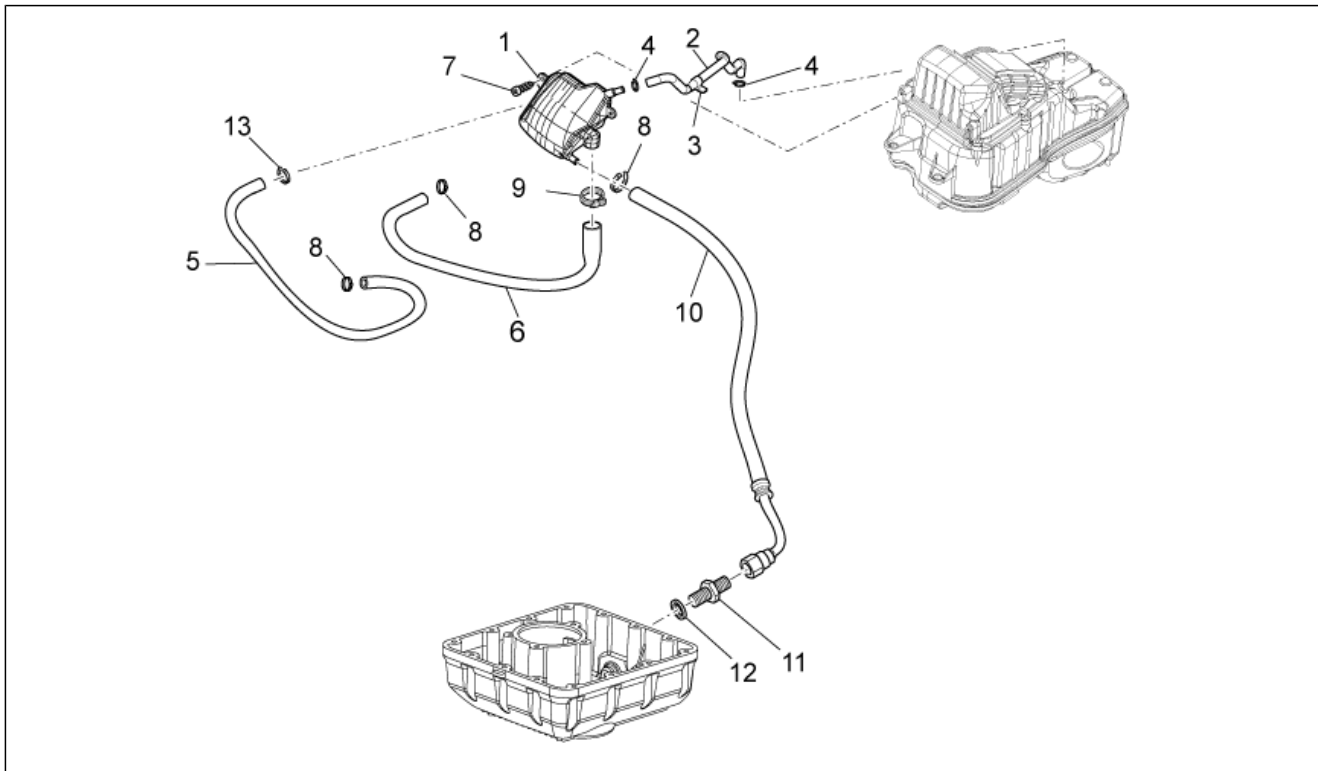
Pos.	Code	Beschrijving	Aant.	Varianten
1	978607	Pomp koppeling	1	
2	981046	Koppelingshendel	1	
3	GU03604845	Pin hendel	1	
4	AP8113993	Beugel	1	
5	AP8113997	Tankdop	1	
6	AP8113998	Microschakelaar	1	
7	GU05606530	Buis koppeling	1	
8	AP8133594	Bout olieleiding	3	
9	AP8113004	Sluitring 10x14x1,6*	6	
10	GU05606630	Buis ontl. koppeling	1	

Groep	FRAME
Code	33.34
Beschrijving	Oil cooler
Revisie	1



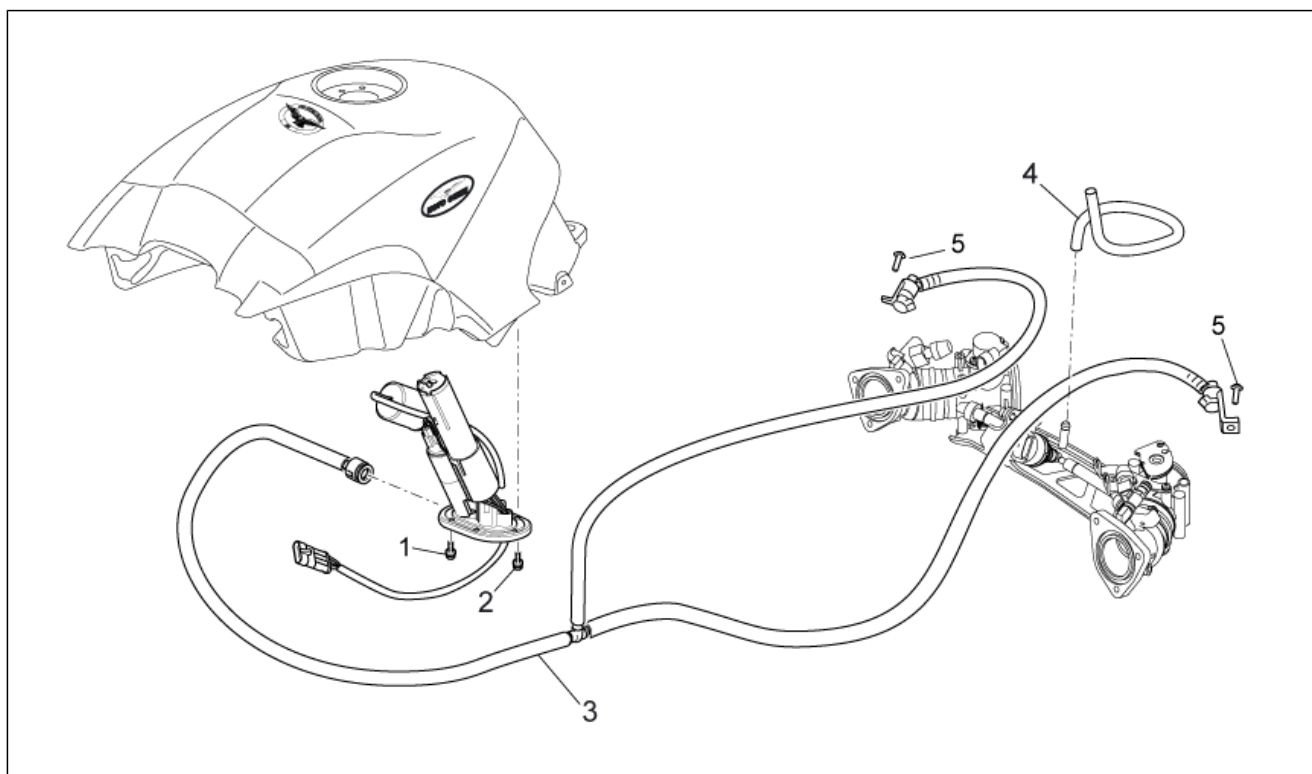
Pos.	Code	Beschrijving	Aant.	Varianten
1	886123	Radiator olie	1	
2	886594	Geschroefdrade huls	1	
3	AP8152306	Zelfborg.bout gefl. m5	2	
4	AP8120030	Rubbertje	3	
5	AP8161083	Afstandhouder	3	
6	AP8150523	Binnenzeskantbout M5x60	3	
7	AP8150248	Sluitring 5,5x15x1,6	3	
8	886235	Elektroschroef cpl.	1	
9	898050	Pin	1	
10	AP8102375	Clip m5	2	
11	AP8150252	Binnenzeskantbout M5x20	1	
12	898244	'T'-vormige huls	1	

Groep	FRAME
Code	33.35
Beschrijving	Blow-by system
Revisie	1



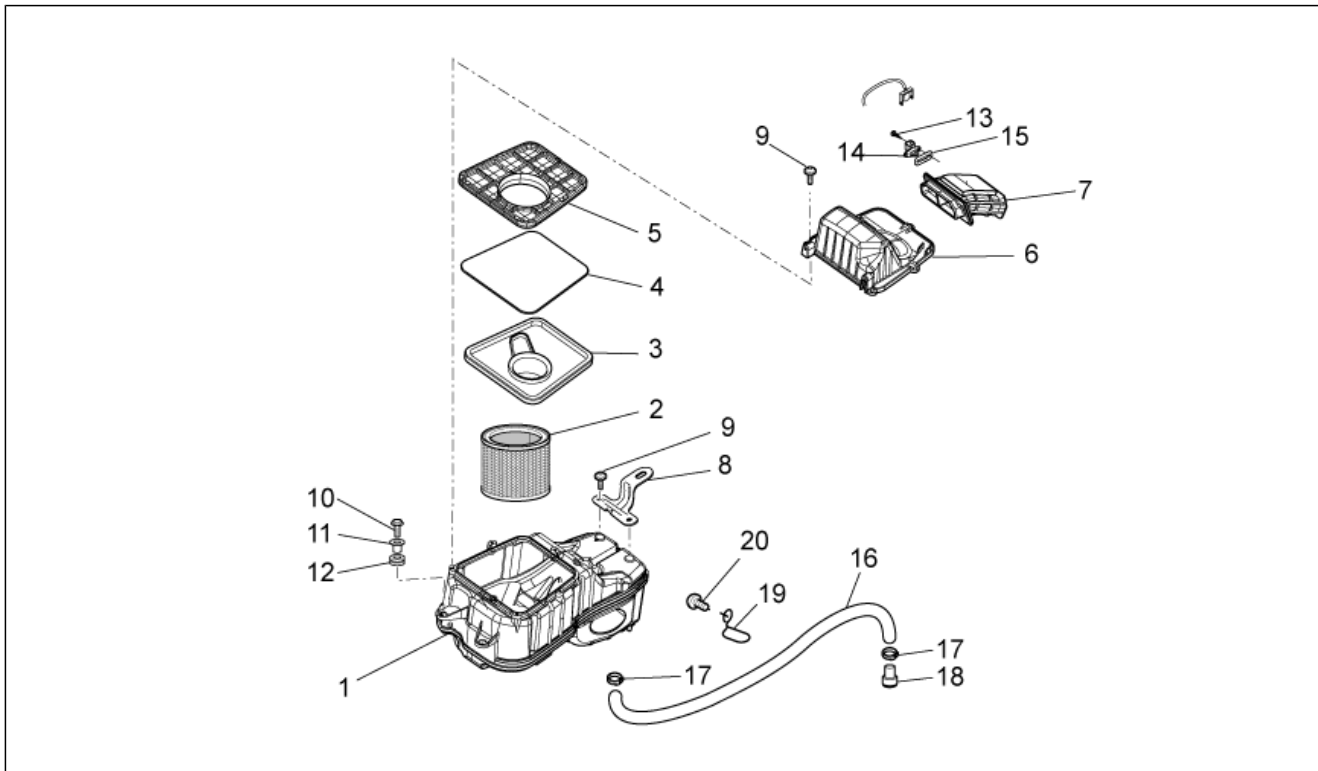
Pos.	Code	Beschrijving	Aant.	Varianten
1	883495	Expansievat	1	
2	GU05157430	Ontluchttingsbuis	1	
3	890721	Band kabelblokk.	1	
4	AP8102520	Klembandje buis	2	
5	883499	Buis re	1	
6	883500	Buis li	1	
7	AP8150509	Zelftap. bout 5x14	2	
8	AP8101586	Klikband D.15,5x6,6	3	
9	GU93306018	Klemmetje 17X29X8	1	
10	GU05159330	Buis circul.	1	
11	GU01161331	Reductie	1	
12	GU01154230	Pakking in aluminium	1	
13	GU93306017	Klemmetje	4	

Groep	FRAME
Code	33.36
Beschrijving	Fuel supply
Revisie	1



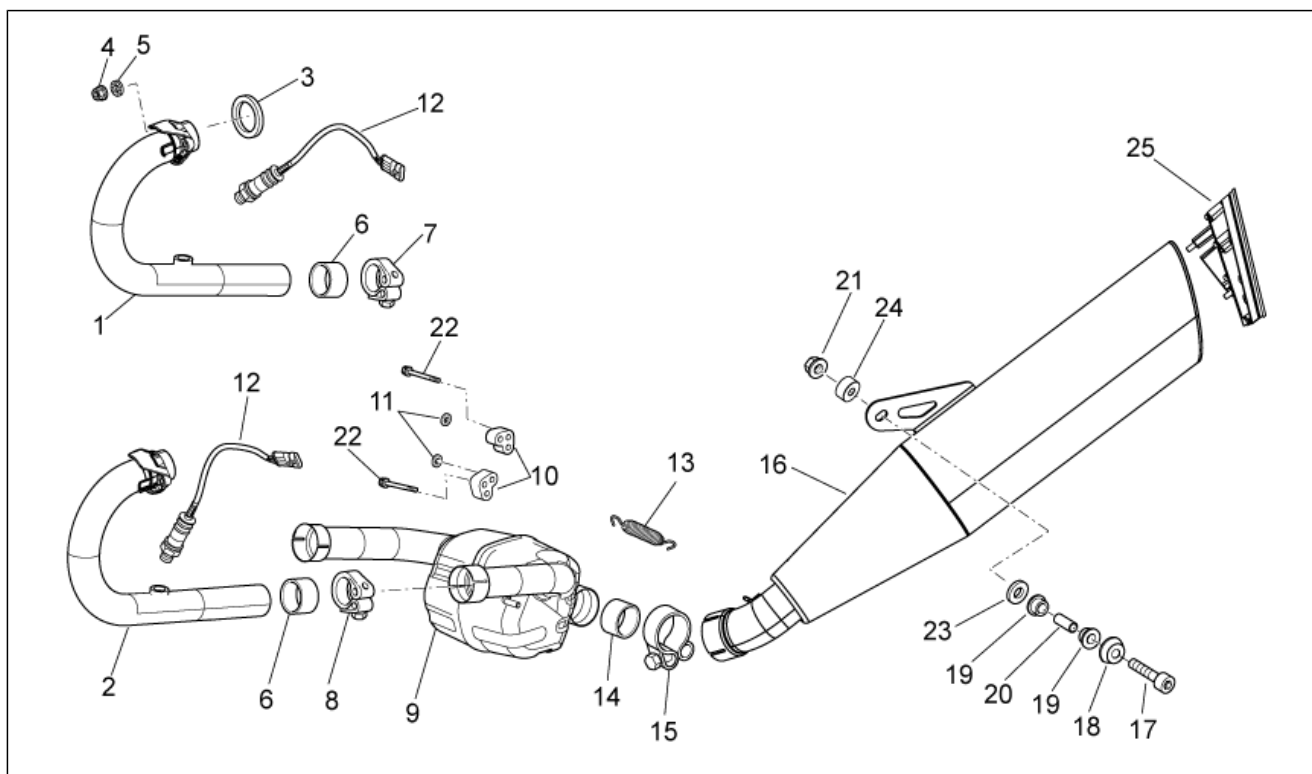
Pos.	Code	Beschrijving	Aant.	Varianten
1	AP8152274	Zeskantbout geflenst M5x20	2	
2	AP8152273	Geflenste bout M5x16	4	
3	883275	Benzineleiding cpl	1	
4	GU05135930	Buis	1	
5	AP8152298	Bolbout met binnenzeskant, geflenst M5x16	2	

Groep	FRAME
Code	33.37
Beschrijving	Air box
Revisie	1



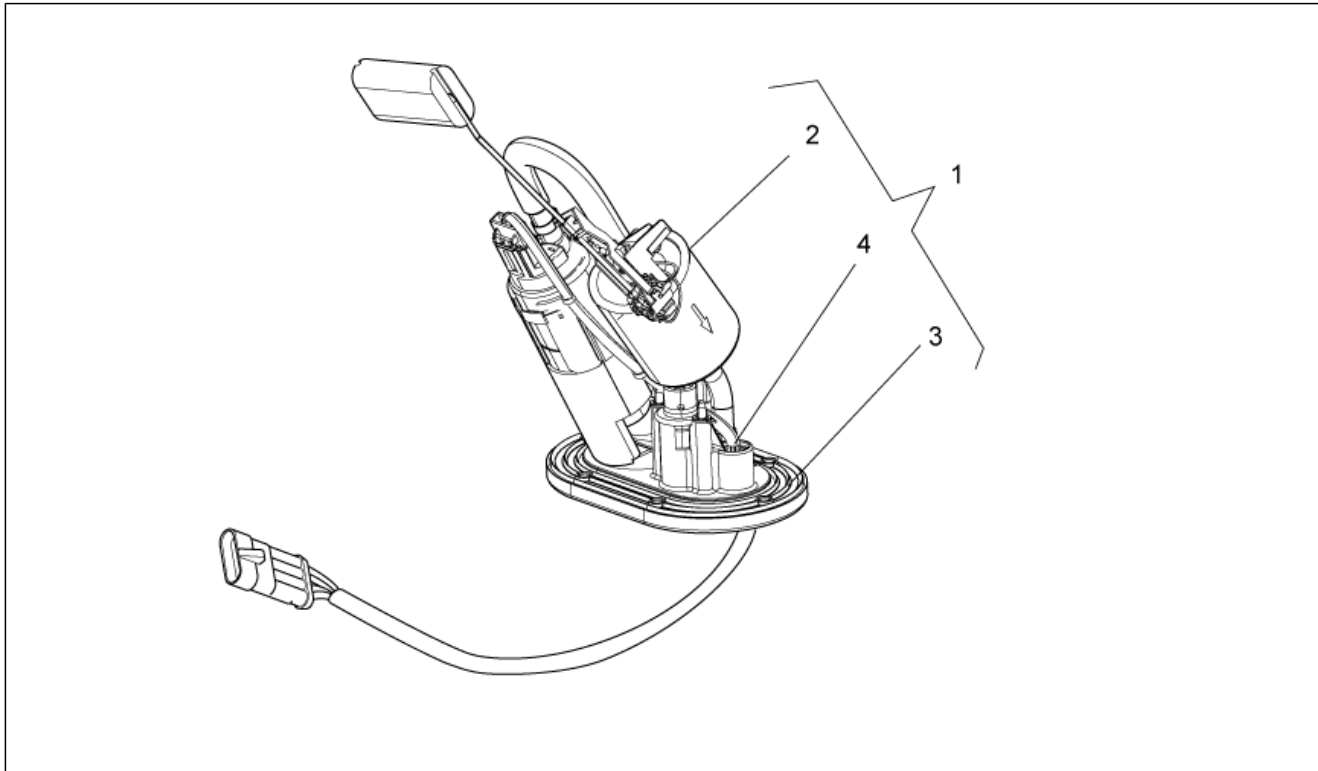
Pos.	Code	Beschrijving	Aant.	Varianten
1	GU05114031	Filterkast	1	
2	AP8104211	Luchtfilter	1	
3	GU05113730	Wand	1	
4	AP8120615	Pakking D3	1	
5	GU05103830	Kleef spons	1	
6	GU05113530	Bedekking	1	
7	AP8144164	Aanzuigingsmof	1	
8	GU05114130	Houder filterkast	1	
9	AP8152329	Bout SWP kruiskop gefl. M5x20	7	
10	AP8152279	Zeskantbout geflenst M6x20	2	
11	AP8221023	'T'-vormige huls	2	
12	AP8120030	Rubbetje	2	
13	AP8150421	Zelftap. bout 2,9x12	2	
14	GU30729330	Sensor luchttemperatuur	1	
15	GU30027931	Pakking	1	
16	AP8144038	Benzineleiding 6x10	1	
17	AP8101595	Klemmetje D10,1	2	
18	AP8120876	Sluitdop	1	
19	AP8120428	Kabelgeleider	1	
20	598839	Zeskantbout geflenst	1	

Groep	FRAME
Code	33.38
Beschrijving	Exhaust unit
Revisie	1



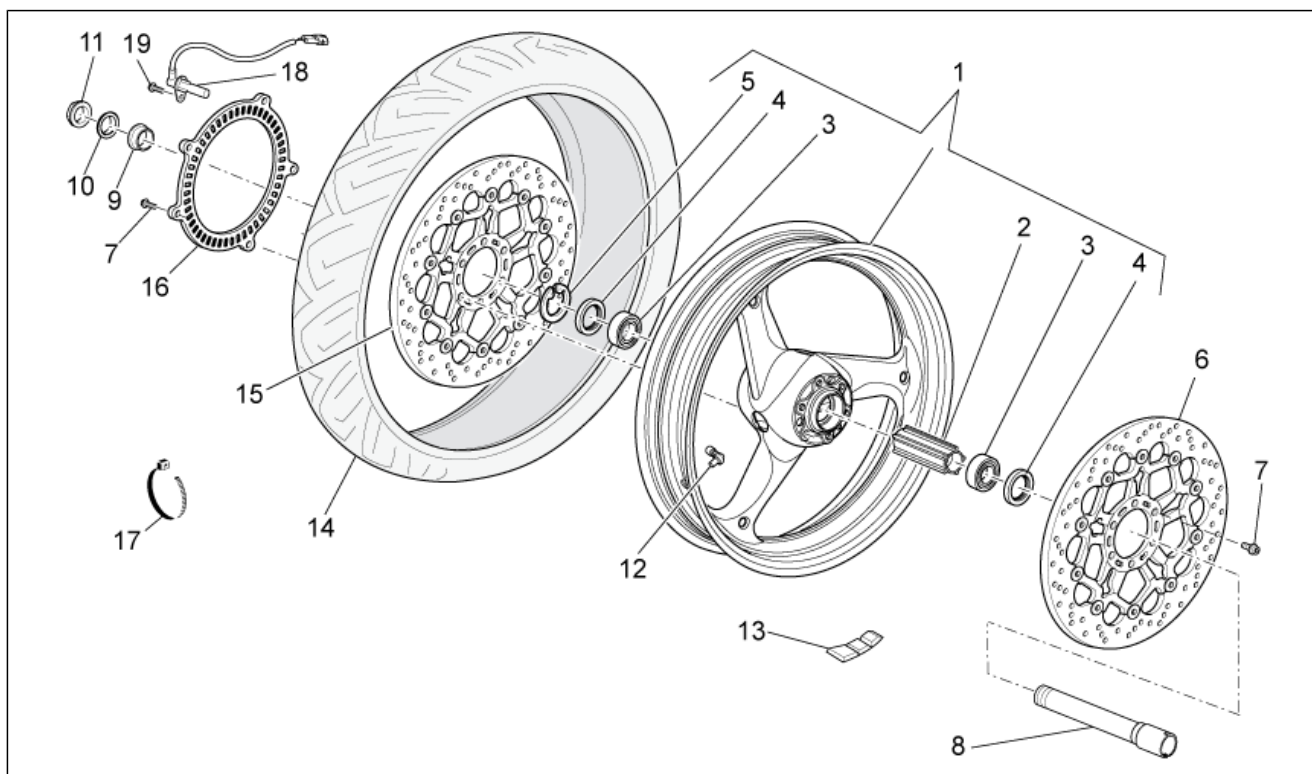
Pos.	Code	Beschrijving	Aant.	Varianten
1	887214	Buis afvoer re	1	
2	887215	Buis uitlaat li	1	
3	976376	Pakking	2	
4	GU92660021	Moer geflenst M8	4	
5	GU14615901	Sluitring 8,4X13X0,8	4	
6	GU05121630	Pakking	2	
7	976522	Bandje re	4	
8	976523	Bandje li	2	
9	887097	Compensator uitl. cent.	2	
10	GU05124230	Rubbetje	2	
11	GU90274008	Sluitring voor assen D8	4	
12	584344	Lambdasonde l. 325 mm	2	
13	AP8121170	Veer	1	
14	GU05128230	Pakking	1	
15	976521	Klemmetje	1	
16	8835411	Geluiddemper	1	
17	AP8150046	Binnenzeskantbout M8x55	1	
18	AP8134378	Huls bevestiging geluiddemper	1	
19	AP8144071	Rubbetje uitlaat	2	
20	883079	Afstandhouder	1	
21	GU92630508	Moer	1	
22	GU05124330	Bout	2	
23	GU95005312	Sluitring 8,5x24x2	1	
24	883843	Afstandhouder	1	
25	884352	Onderzijde	1	

Groep	FRAME
Code	33.39
Beschrijving	Internal fuel pump
Revisie	1



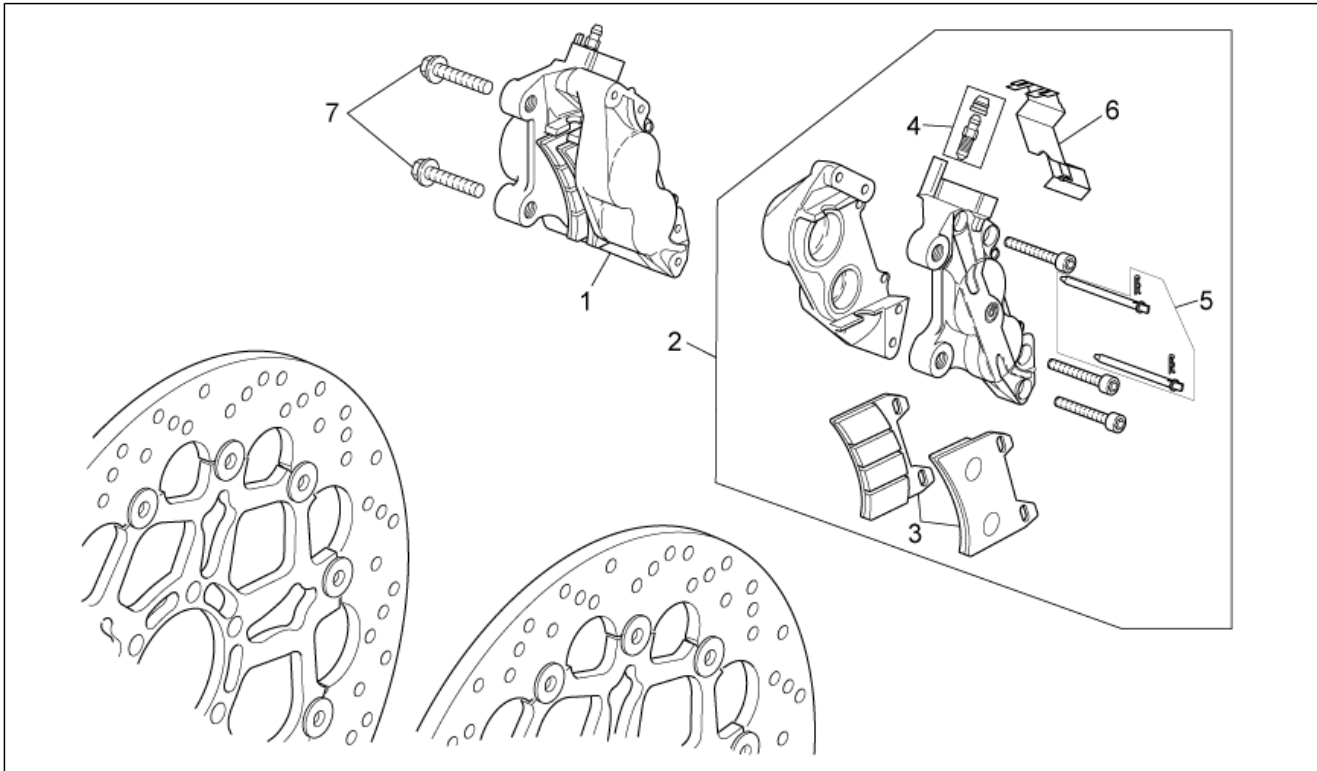
Pos.	Code	Beschrijving	Aant.	Varianten
1	2D000017	Benzinepomp cpl.	1	
2	GU01106090	Benzinefilter	1	
3	GU05107430	Pakking flens	1	
4	GU01108490	Klemmetje 11,3	4	

Groep	FRAME
Code	33.40
Beschrijving	Front wheel
Revisie	1



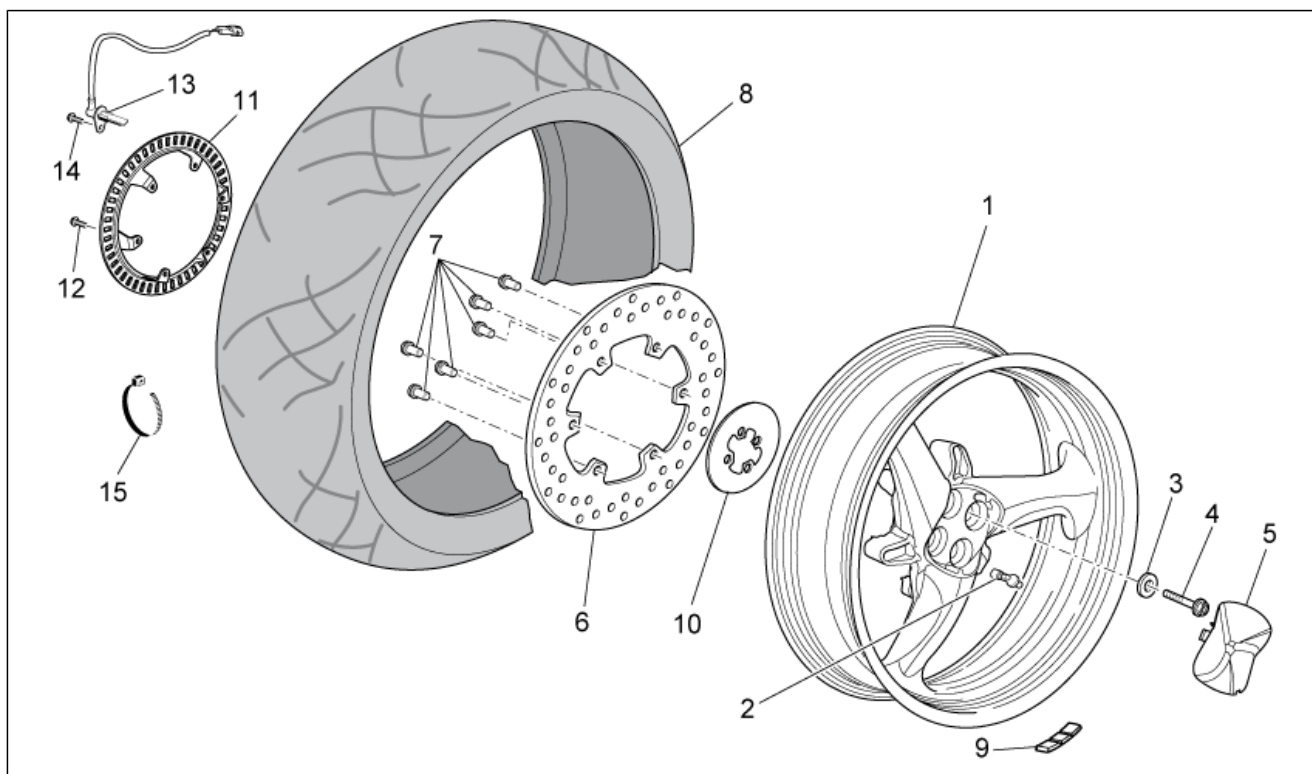
Pos.	Code	Beschrijving	Aant.	Varianten
1	883883	Voorwiel naked donkergrijs 3,5X17"	1	Technische specificaties: Gemerkt ZCV[ZCV]
1	GU05610530	Voorwiel naked donkergrijs 3,5x17"	1	Technische specificaties: Merk Brembo[BR]
2	GU05615230	Afstandhouder lagers	1	
3	AP8125777	Kogellager 25x47x12	2	
4	AP8125773	Dichtingsring 30x47x7	2	
5	AP8125779	Seegerring	1	
6	896012	Remschijf voor SX	1	
7	AP8152286	Zeskantbout geflenst M8x20	12	
8	GU05614130	Pin voorwiel	1	
9	AP8125791	Afstandhouder	1	
10	GU95005325	Sluitring 25,2X36X1	1	
11	GU01612190	Moer	1	
12	GU03617710	Klep tubeless	1	
13	GU14616150	Tegengewicht	1	
14	895033	Bedekking voor. 120/70 ZR 17"	1	
15	896011	Remschijf voor DX	1	
16	AP8128189	Geluidswiel	1	
17	GU49609601	Klemmetje 2,4x92	1	
18	AP8127469	Sensor abs	1	
19	598839	Zeskantbout geflenst	1	

Groep	FRAME
Code	33.41
Beschrijving	Front brake caliper
Revisie	1



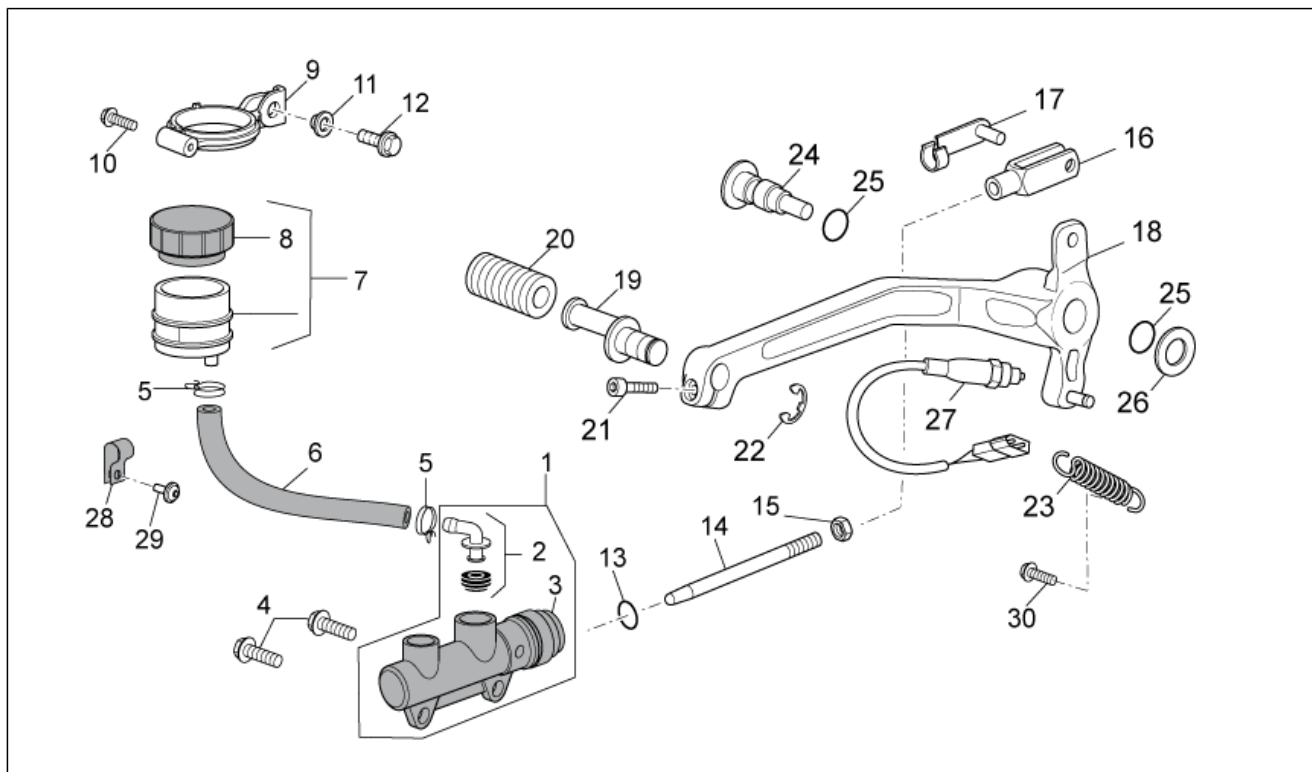
Pos.	Code	Beschrijving	Aant.	Varianten
1	883853	Tang voorrem re goud	1	
2	883854	Tang voorrem li goud	1	
3	AP8133614	Pastilles - koppel	2	
4	AP8133945	Kit ontluchting	2	
5	GU01659130	Pinnen+Veren tang	2	
6	GU01659131	Veer	2	
7	AP8152385	Binnenzeskantbout M10x1,25	4	

Groep	FRAME
Code	33.42
Beschrijving	Rear wheel
Revisie	1



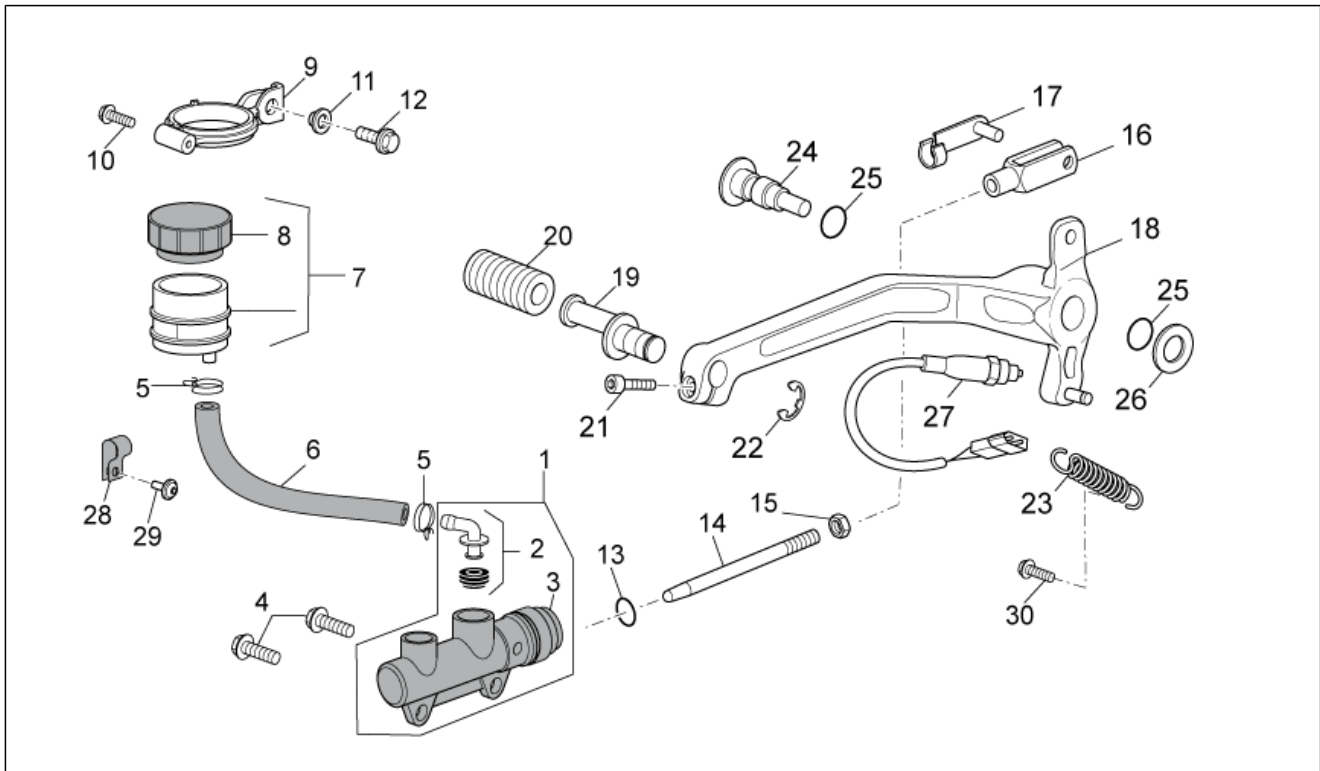
Pos.	Code	Beschrijving	Aant.	Varianten
1	883886	Achterwiel naked grijs 5,5X17"	1	Technische specificaties: Gemerkt ZCV[ZCV]
1	GU05630531	Achterwiel naked grijs 5,5x17"	1	Technische specificaties: Merk Brembo[BR]
2	GU03617710	Klep tubeless	1	
3	GU05632730	Conische huls	4	
4	GU97202665	Zeskantbout geflenst M12x65	4	
5	GU05634430	Bedekking	1	
6	GU05635730	Remschijf acht.	1	
7	GU30611460	Bout	6	
8	897771	Bedekking acht. 180/55 R17 ANGEL	1	
9	GU14616150	Tegengewicht	1	
10	977056	Stofkeerring	1	
11	GU05681530	Geluidswiel	1	
12	AP8152272	Zeskantbout geflenst M5x12	6	
13	GU05683730	Sensor	1	
14	598839	Zeskantbout geflenst	1	
15	GU49609601	Klemmetje 2,4x92	1	

Groep	FRAME
Code	33.43
Beschrijving	Rear master cylinder
Revisie	1



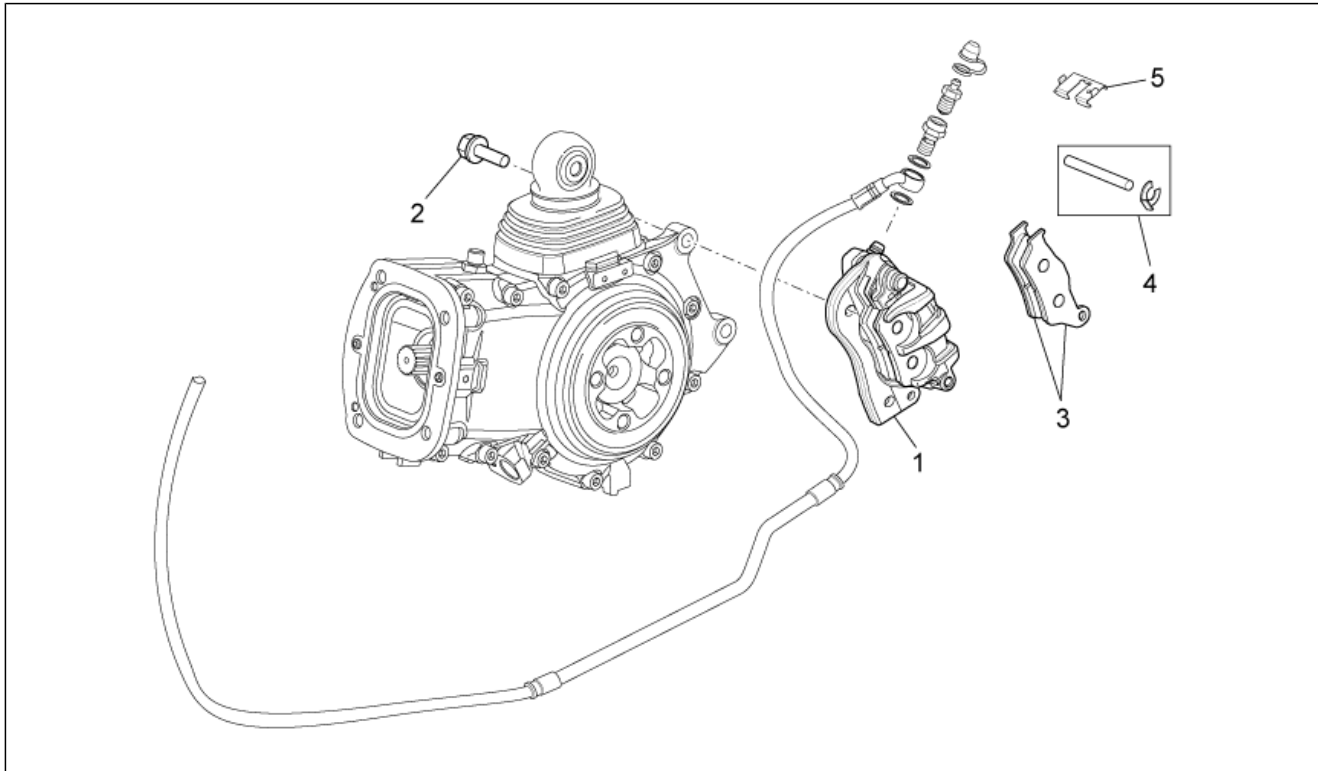
Pos.	Code	Beschrijving	Aant.	Varianten
1	GU05666930	Pomp achterrem	1	
2	AP8113594	Verbinding pomp acht.	1	
3	AP8113288	Blower van rubber	1	
4	AP8152279	Zeskantbout geflenst M6x20	2	
5	AP8101595	Klemmetje D10,1	2	
6	GU00823950050	Olieleiding	1	
7	GU05663530	Oliereservoir remmen cpl.	1	
8	GU17661052	Tankdop	1	
9	GU05666030	Steun tank	1	
10	AP8152329	Bout SWP kruiskop gefl. M5x20	1	
11	AP8221145	'T'-vormige huls *	1	
12	598839	Zeskantbout geflenst	1	
13	AP8120178	OR-ring OR112	1	
14	977041	Staaf pomp rem	1	
15	GU92606206	Moer	1	
16	AP8101968	Vork	1	
17	AP8201301	Clips voor vork versnellingsbak	1	
18	GU05677030	Hendel achterrem	1	
19	AP8121221	Pin remhendel	1	
20	AP8120912	Rubbetje voor hendel	1	
21	GU98682316	Binnenzeskantbout M6x16	1	
22	AP8150462	Seegerring d9	1	
23	AP8121927	Veer hendel achterrem	1	
24	884033	Pin hendel achterrem	1	
25	AP8144007	OR-ring 11,11x1,78	2	
26	GU95008310	Sluitring 10,5x22x2,5	1	
27	AP8112996	Microschakelaar	1	
28	890721	Band kabelblokk.	1	

Groep	FRAME
Code	33.43
Beschrijving	Rear master cylinder
Revisie	1



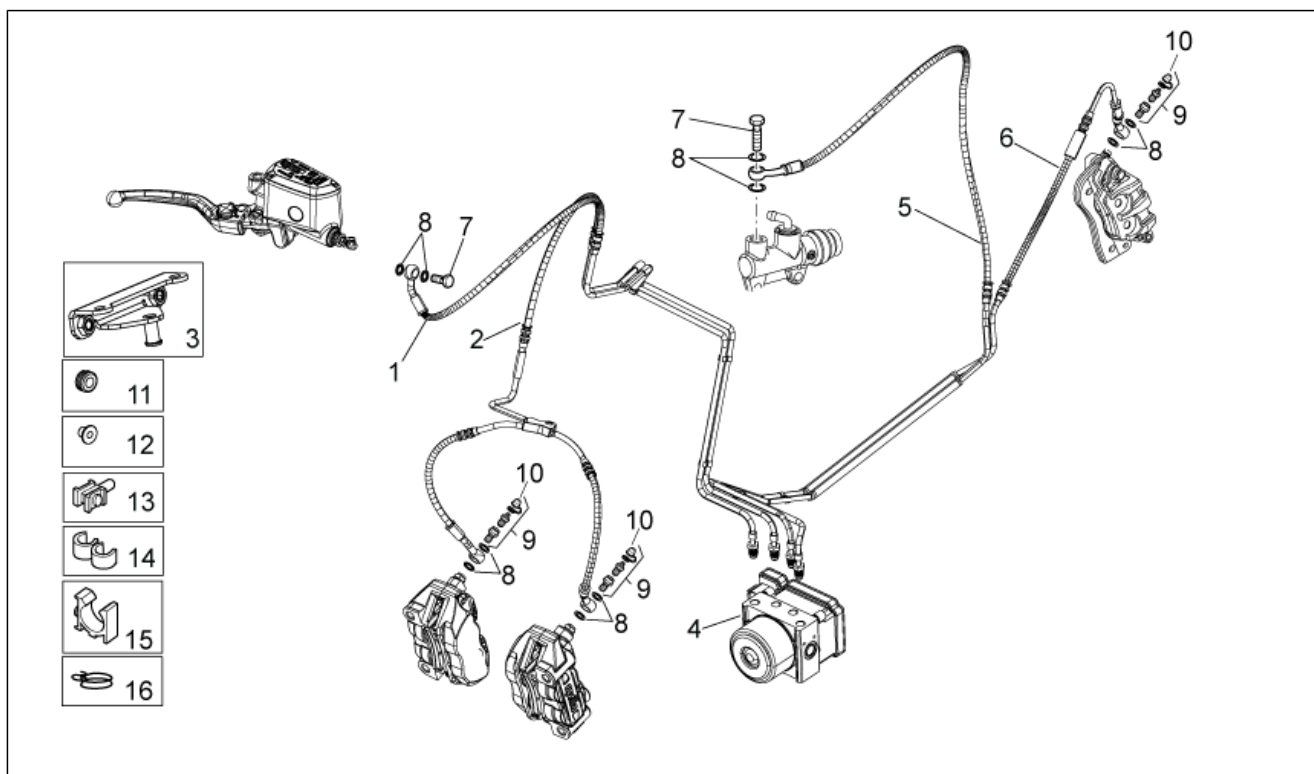
Pos.	Code	Beschrijving	Aant.	Varianten
29	GU98350210	Bolbout met binnenzeskant	1	
30	AP8152273	Geflenste bout M5x16	1	

Groep	FRAME
Code	33.44
Beschrijving	Rear brake caliper
Revisie	1



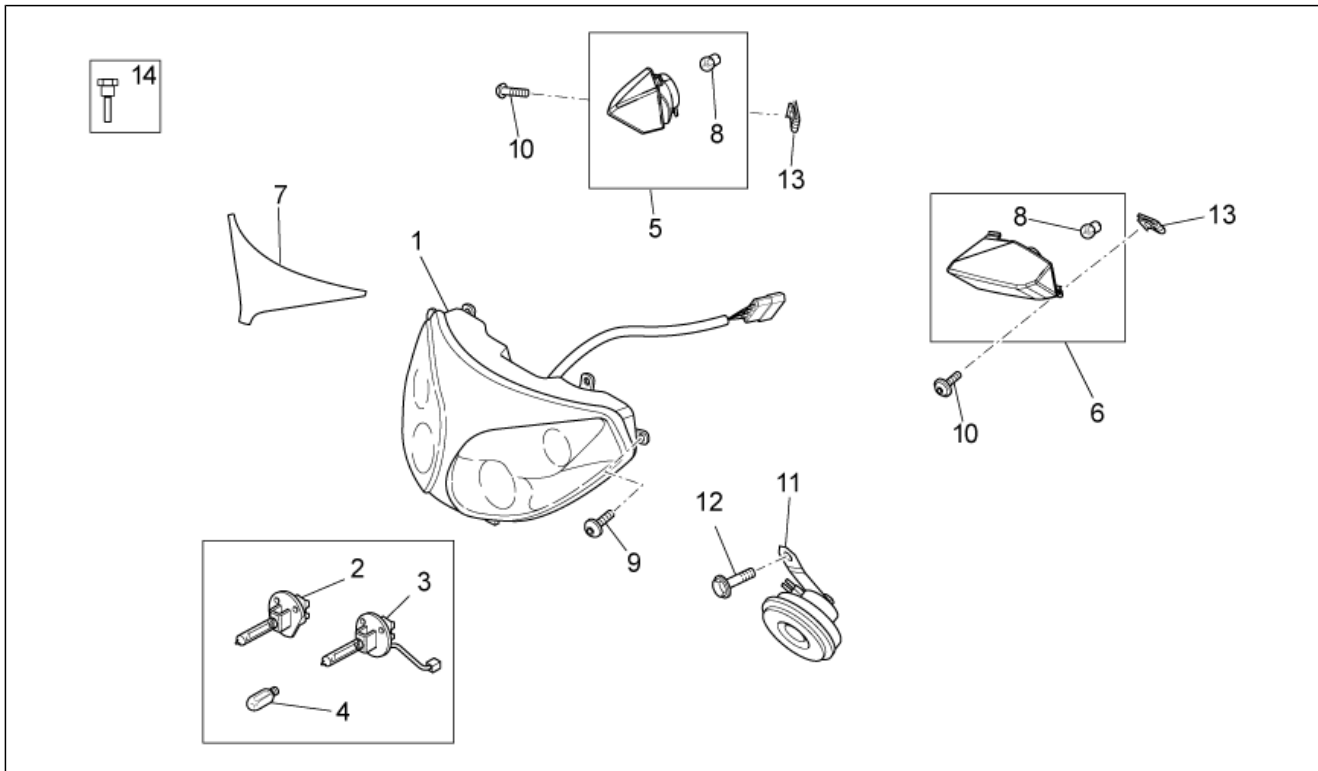
Pos.	Code	Beschrijving	Aant.	Varianten
1	GU05653030	Tang achterrem goud	1	
2	AP8152320	Zeskantbout geflenst	2	
3	GU05654630	Pastilles - koppel	1	
4	GU05659130	Pin+splitpen tang	1	
5	GU05659030	Veer	1	

Groep	FRAME
Code	33.45
Beschrijving	ABS Brake system
Revisie	1



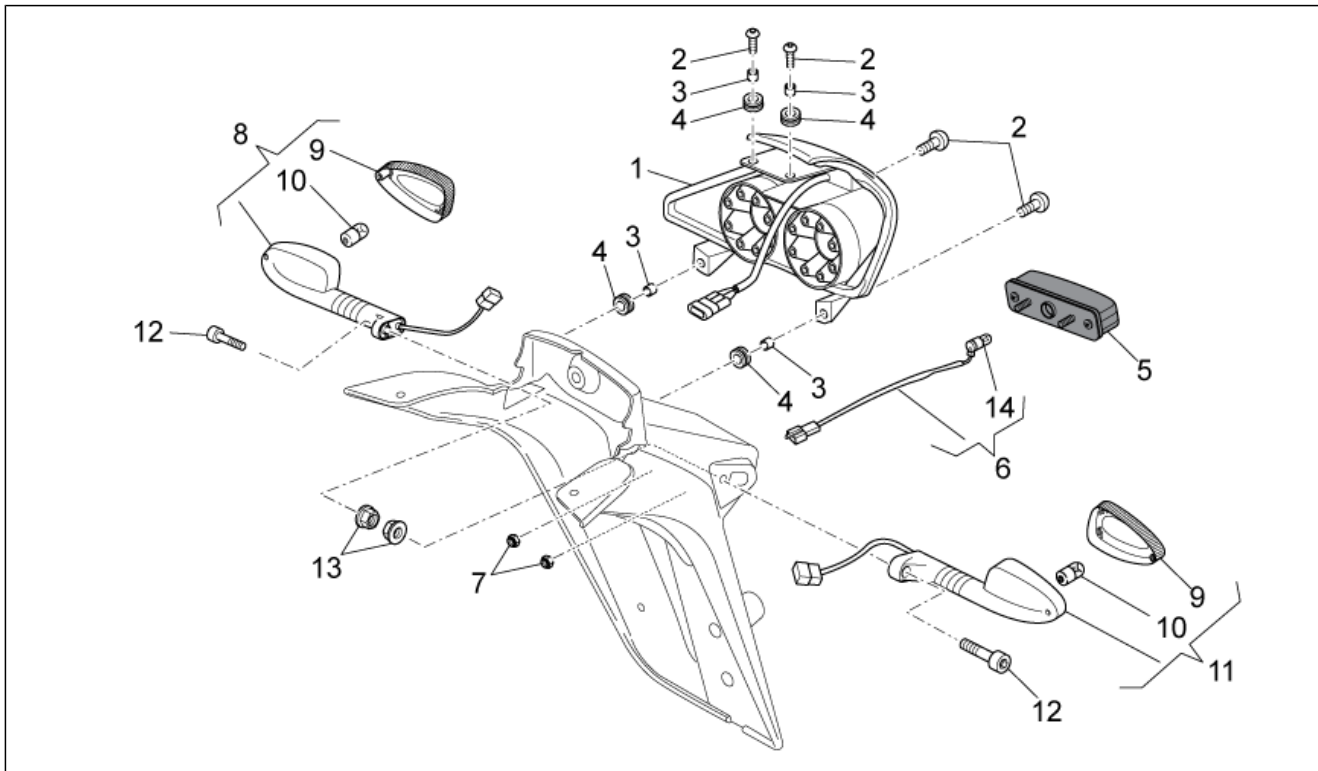
Pos.	Code	Beschrijving	Aant.	Varianten
1	883838	LEIDING ZIJDE POMP VOOR/CENT	1	
2	883839	LEIDING ZIJDE TANGEN VOOR/CENT	1	
3	886166	Tegenplaat	1	
4	887696	Centrale ABS Cluster	1	
5	883840	LEIDING ZIJDE POMP ACHT/CENT	1	
6	883841	LEIDING ZIJDE TANG ACHT/CENT	1	
7	AP8113003	Bout olieleiding *	2	
8	AP8113004	Sluitring 10x14x1,6*	10	
9	AP8133945	Kit ontluchting	3	
10	AP8113070	Kapje ontluchting	3	
11	AP8120030	Rubbetje	2	
12	AP8221023	'T'-vormige huls	2	
13	AP8202238	Verankering kabelgeleider	4	
14	AP9100519	Veertje	4	
15	AP8201808	Kabelgeleider D8	2	
15	GU05436530	Kabelgeleider D5	4	
16	AP8101595	Klemmetje D10,1	2	

Groep	FRAME
Code	33.46
Beschrijving	Headlight/Horn
Revisie	1



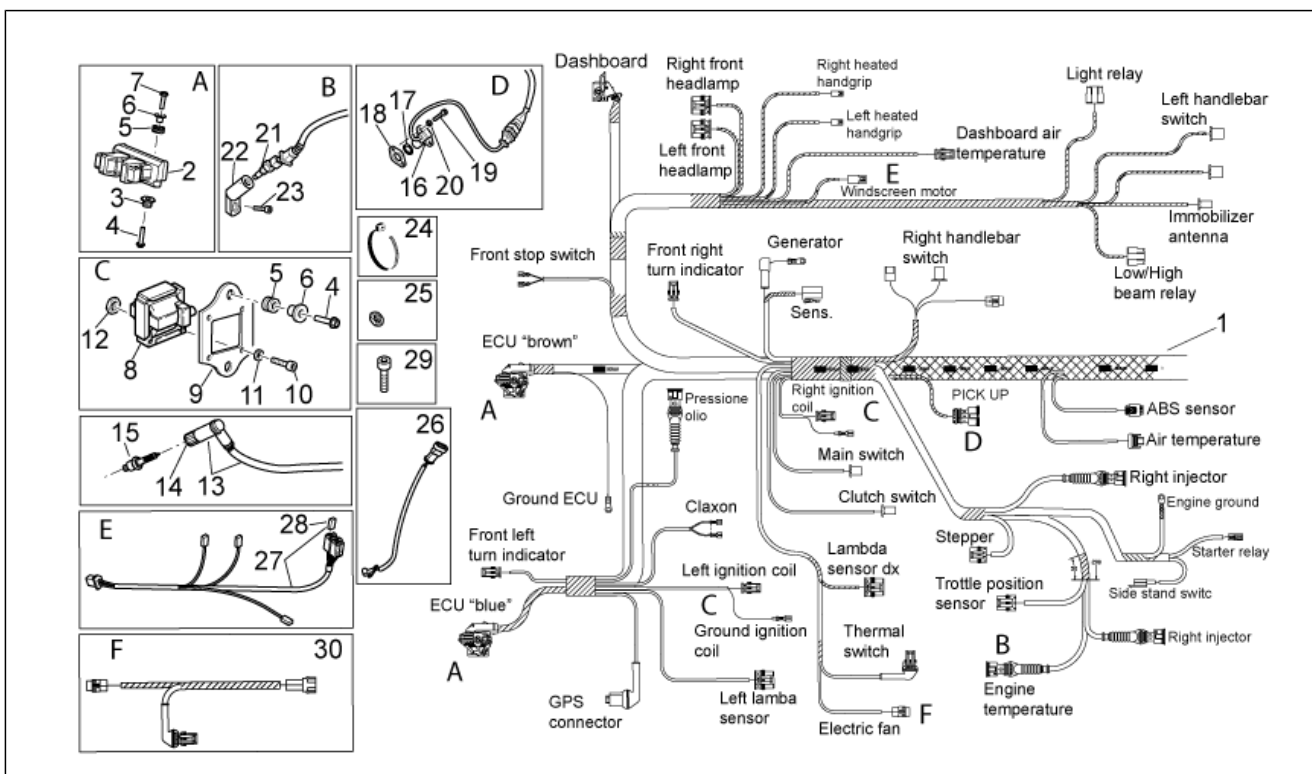
Pos.	Code	Beschrijving	Aant.	Varianten
1	883816	Voorlicht	1	
2	580141	Lamp H112V-55W	1	
3	294278	Lamp H3 12V-55W	1	
4	292022	Lamp 12V-5W	1	
5	978428	Richtingsaanw.voor.re	1	
6	978427	Richtingsaanw. voor. li	1	
7	978571	Decalco voorlicht	1	
8	584332	Lamp 12V-10W	2	
9	GU98325316	Bout	6	
10	AP8150493	Bolbout met binnenzeskant M4x16	2	
11	890979	Claxon	1	
12	AP8152285	Zeskantbout geflenst	1	
13	AP8102381	Clip M4	2	
14	883751	Kolomv. moer	2	

Groep	FRAME
Code	33.47
Beschrijving	Taillight
Revisie	1



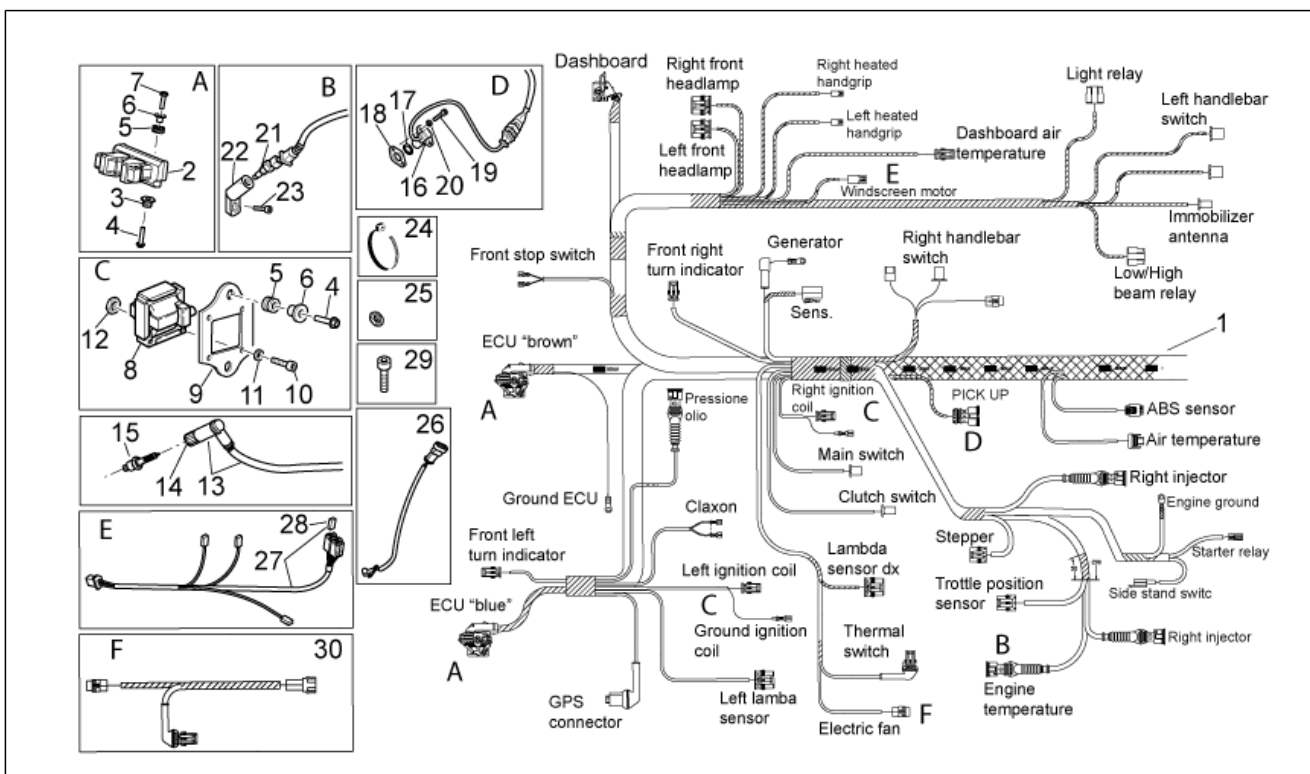
Pos.	Code	Beschrijving	Aant.	Varianten
1	883314	Achterlicht	1	
2	AP8152298	Bolbout met binnenzeskant, geflenst M5x16	4	
3	AP8221036	Beslagring 5,3x8x7,1	4	
4	AP8120405	Rubbetje	4	
5	AP8212702	Licht nummerplaat	1	
6	AP8124976	Bekabeling nummerplaatlicht	1	
7	AP8152306	Zelfborg.bout gefl. m5	2	
8	GU05751630	Richtingaanw.acht.re	1	
9	AP8127552	Glas richtingaanw.	2	
10	584332	Lamp 12V-10W	2	
11	GU05751730	Richtingaanw.acht.li	1	
12	GU98692318	Binnenzeskantbout	2	
13	GU92630206	Moer M6x1	2	
14	292022	Lamp 12V-5W	1	

Groep	FRAME
Code	33.48
Beschrijving	Electrical system I
Revisie	1



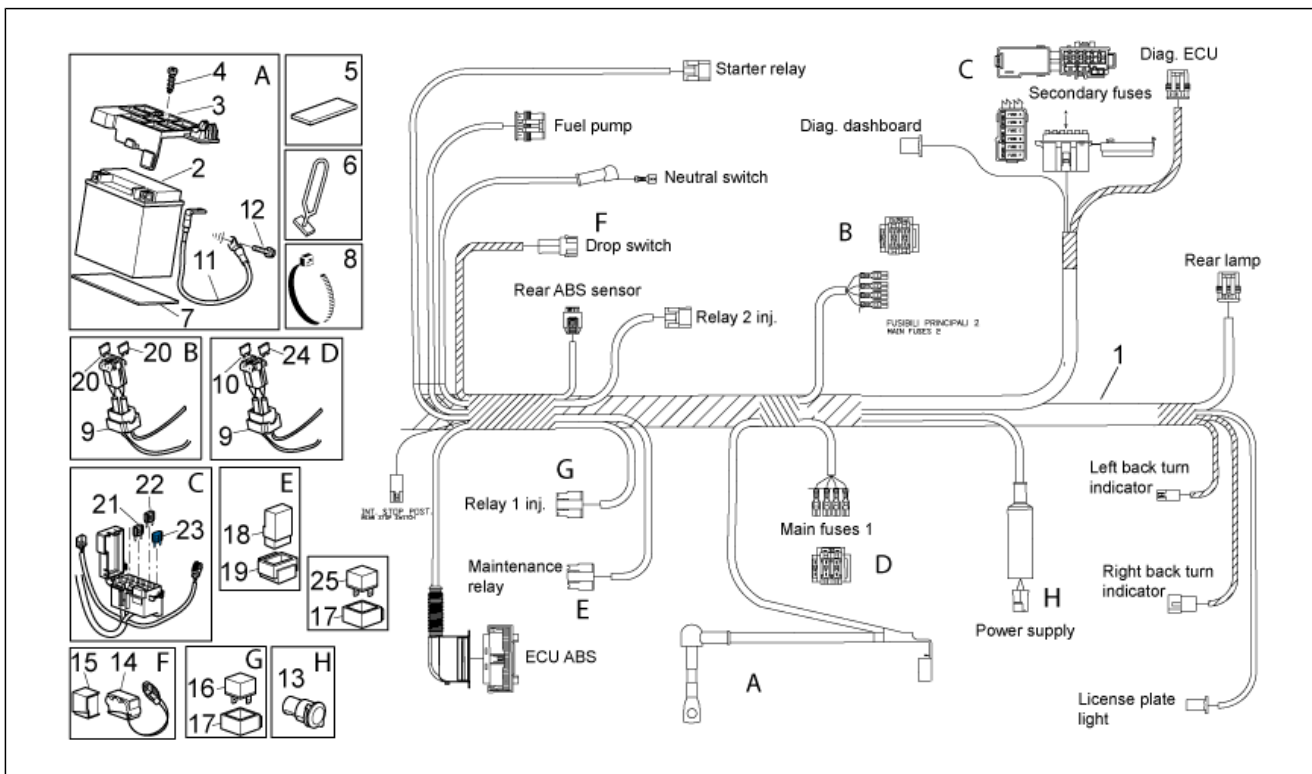
Pos.	Code	Beschrijving	Aant.	Varianten
1	886209	Hoofdzakelijke bekabeling	1	
2	883820	Elektronische centrale	1	
3	GU05729230	Huls	2	
4	AP8152279	Zeskantbout geflenst M6x20	6	
5	AP8120030	Rubbertje	6	
6	AP8221023	'T'-vormige huls	6	
7	AP8152282	Zeskantbout geflenst M6x35	2	
8	GU30716500	H.S. bobine	2	
9	GU05716730	Steun bobine	2	
10	GU98682125	Binnenzeskantbout	8	
11	GU95008204	Sluistring 4,3x8x0,5	8	
12	GU92630104	Moer M4x0,7	8	
13	642243	H.S. kabel	2	
14	642221	Bougiekapje	2	
15	639687	Bougie CR8EKB	2	
16	GU01721600	Fasesensor	1	
17	847180	OR-ring	1	
18	GU01722700	Pakking 0,3mm	1	
18	GU01722701	Pakking 0,4 mm	1	
18	GU01722702	Pakking 0,6mm	1	
18	GU01722703	Pakking	1	
18	GU01722704	Pakking 1mm	1	
18	GU01722705	Pakking 1,5mm	1	
18	GU29722760	Pakking 0,5 mm	1	
19	GU98682212	Binnenzeskantbout M5x12	2	
20	GU95008205	Sluistring 5,3x10x0,8	2	
21	GU29729461	Temperatuursensor olie	1	
22	976556	Steun sensor	1	

Groep	FRAME
Code	33.48
Beschrijving	Electrical system I
Revisie	1



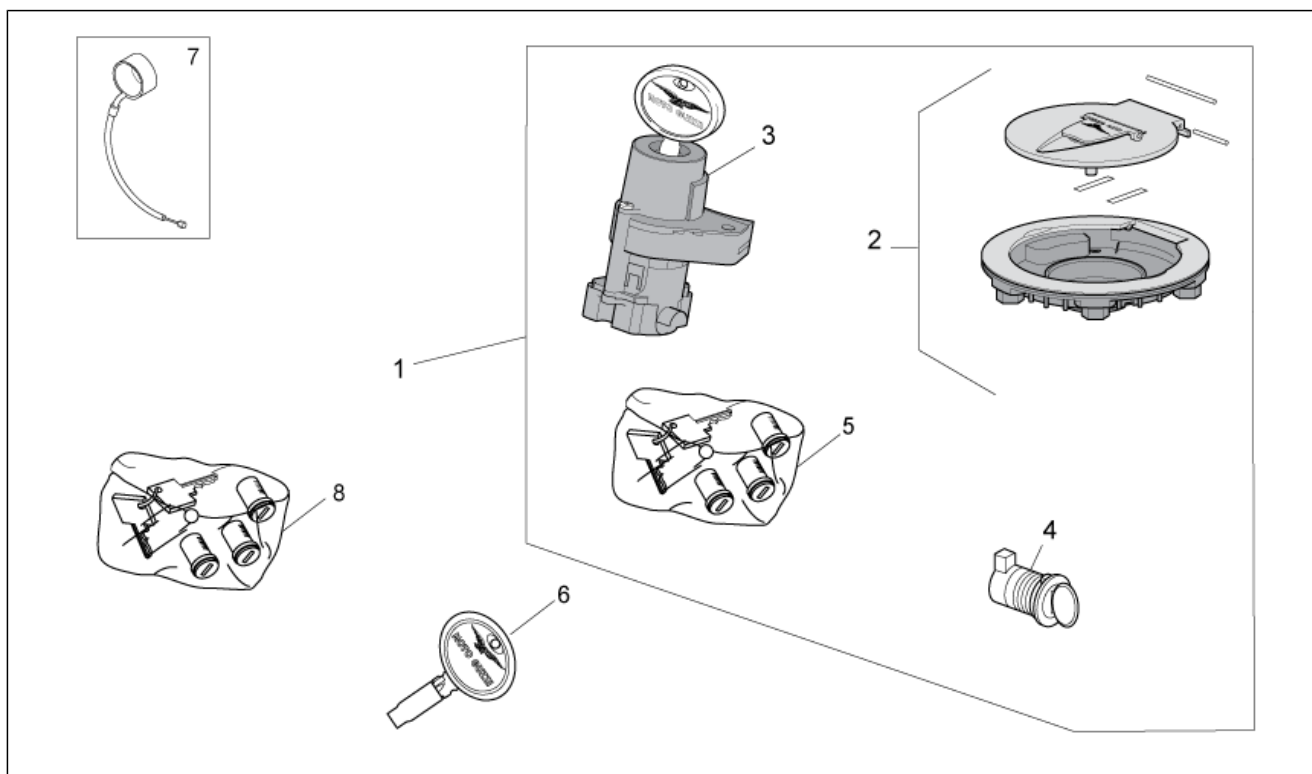
Pos.	Code	Beschrijving	Aant.	Varianten
23	GU98683520	Binnenzeskantbout M10x20	1	
24	GU14609650	Klemmetje 3,6x20,6	22	
24	GU30609600	Klemmetje 8,8x185	1	
25	AP8152299	Zelfborg.bout gefl. M6	1	
26	AP8124936	Sensor luchttemperatuur	1	
27	883799	Bekabeling motor windscherm	1	
28	GU01731760	Relais schak.siemens A1001A403	2	
29	GU98682212	Binnenzeskantbout M5x12	2	
30	886776	Bekabeling elektro Schroef	1	

Groep	FRAME
Code	33.49
Beschrijving	Electrical system II
Revisie	1



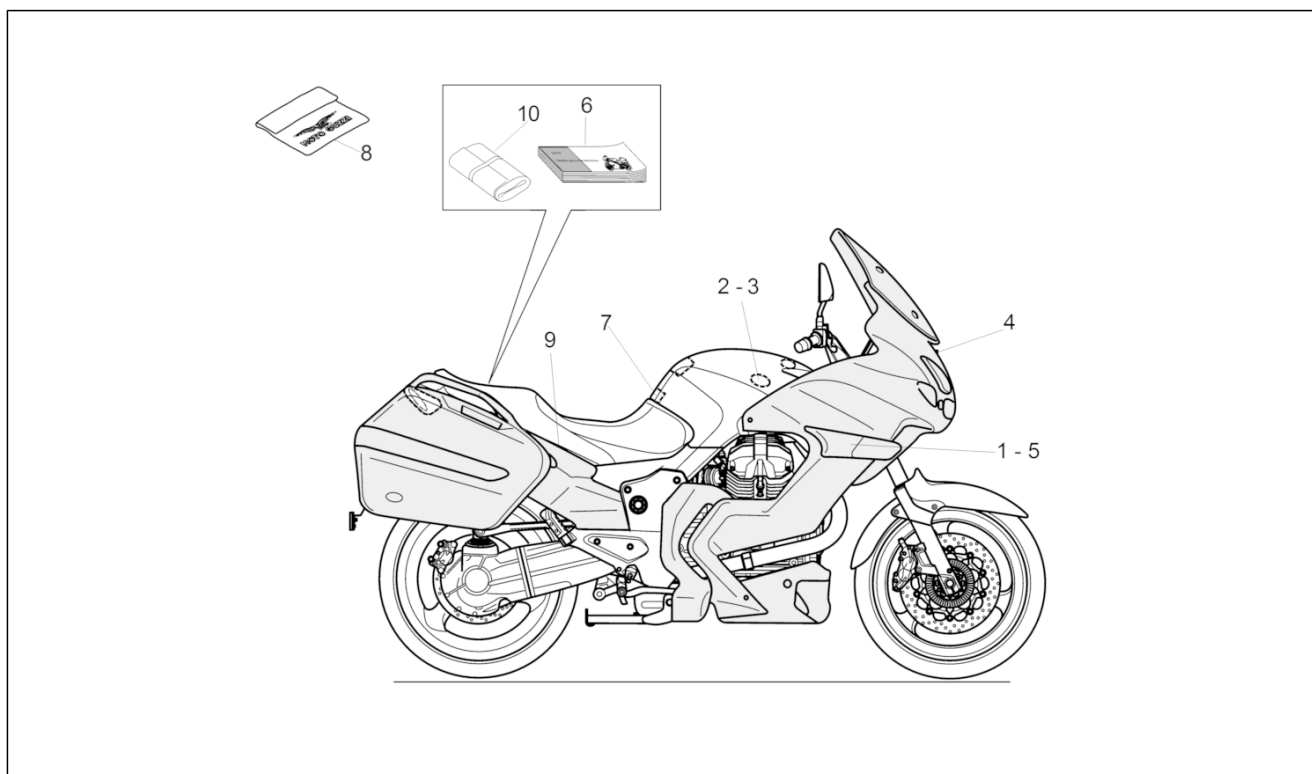
Pos.	Code	Beschrijving	Aant.	Varianten
1	886209	Hoofdzakelijke bekabeling	1	
2	883818	Accu	1	
3	883819	Bedekking accu	1	
4	AP8152329	Bout SWP kruiskop gefl. M5x20	2	
5	AP8117200	Kleef spons	1	
6	AP8120177	Elastiek lichthouder	2	
7	AP8144553	Rubber	2	
8	GU14609650	Klemmetje 3,6x20,6	22	
8	GU30609600	Klemmetje 8,8x185	1	
9	AP8112811	Rubbetje zekeringhouder	2	
10	CM225730	Zekering 30A	1	
11	GU05747930	Bekabeling massa-accu	1	
12	AP8152277	Zeskantbout geflenst M6x12	1	
13	AP8124768	Stopcontact cpl.	1	
14	584509	Antikantelsensor	1	
15	AP8144046	Steunrubbertje sensor	1	
16	895481	Relais injectie 12V 40W	1	
17	AP8220546	Rubbetje steun relais	1	
18	AP8224462	Relais 12V/30A	3	
19	AP8220283	Rubbetje *	3	
20	CM225720	Zekering 20A	4	
21	CM225615	Zekering 15A	4	
22	CM225603	Zekering 3A	2	
23	CM225610	Zekering 10A	3	
24	CM225740	Zekering 40A	1	
25	GU29732550	Relais schakelaar 5 pin	1	

Groep	FRAME
Code	33.50
Beschrijving	Lock hardware kit
Revisie	1



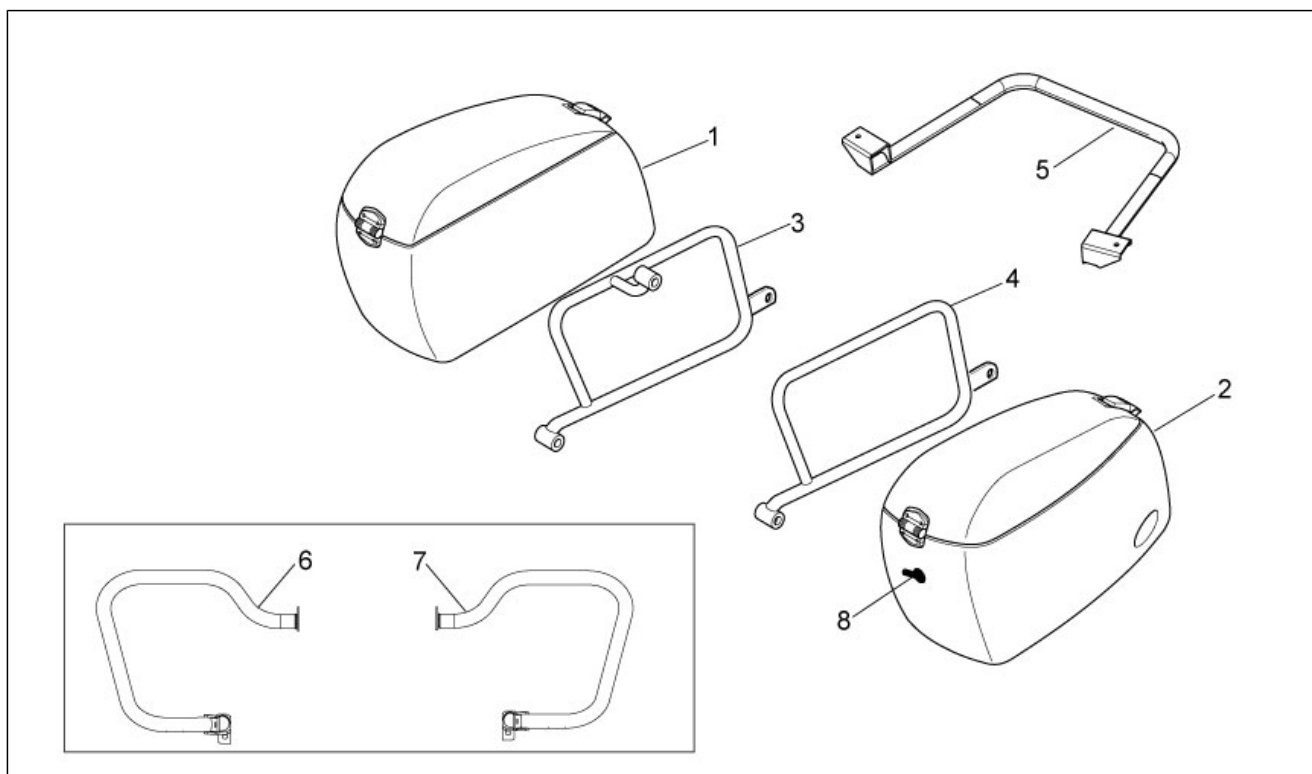
Pos.	Code	Beschrijving	Aant.	Varianten
1	B063858	Kit sloten	1	
2	GU05103930	Tankdop	1	
3	B063859	Starblokje-blokk.	1	
4	GU05466830	Zadelslot	1	
5	978220	Kit rotoren+standaard sleutels	1	
6	977918	Sleutel glad onafgew.	1	
7	981087	Antenne van de immobilizer	1	
8	2B000864	Kit sloten koffers	1	

Groep	FRAME
Code	33.51
Beschrijving	Plate set-decal-op.handbooks
Revisie	1



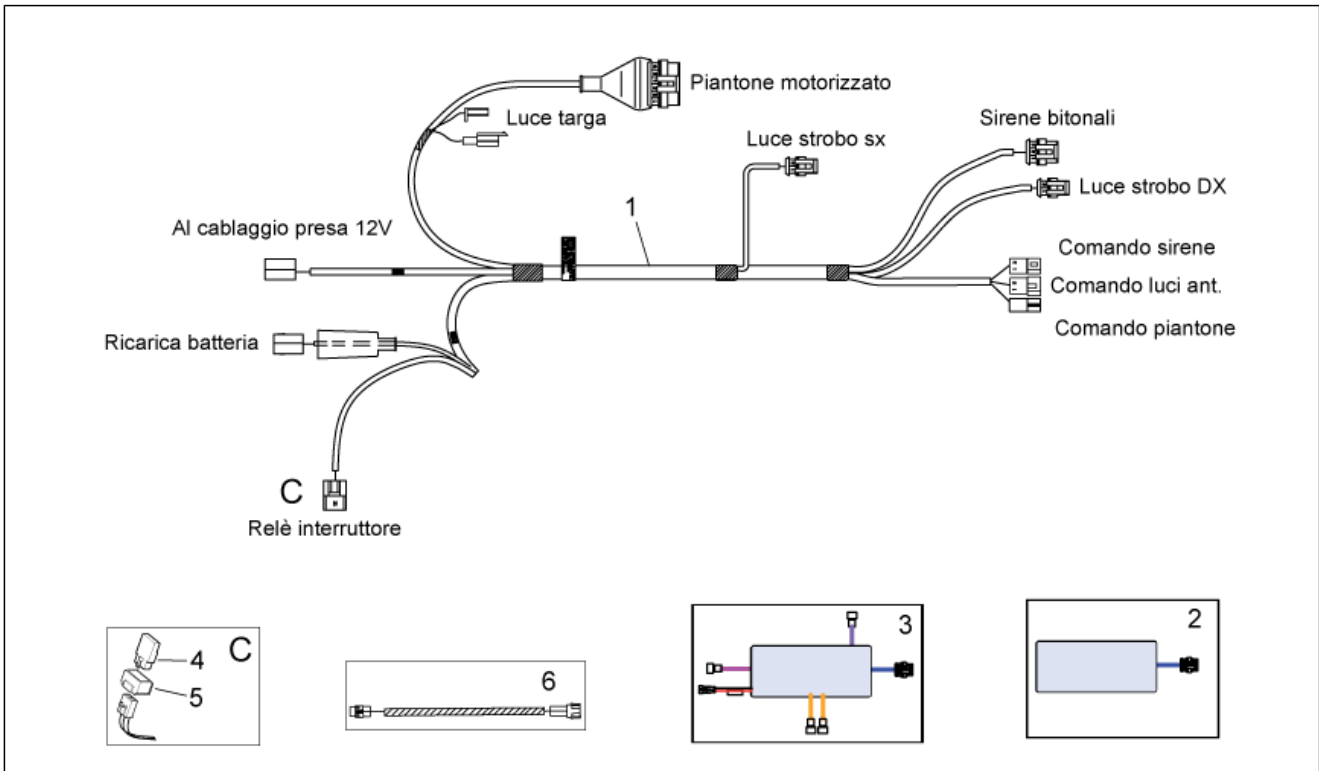
Pos.	Code	Beschrijving	Aant.	Varianten
1	883522	Logo Norge dx	1	
2	GU06917400	Plaatje li rood/goud AL	1	
3	GU06917300	Plaatje re rood/goud AL	1	
4	886340	Plaatje Aquila	1	
5	883523	Logo Norge sx	1	
6	883539	Boekje gebruik/ond. I-F-D-E-NL-UK	1	
7	GU05944930	Plaat Engine Start	1	
8	2H000489	Kit decalco POLIZIA	1	
9	886239	Decalco eindstuk re-li GT 8V	2	
10	978882	Gereedschapstas	1	

Groep	FRAME
Code	33.72
Beschrijving	Side cases
Revisie	1



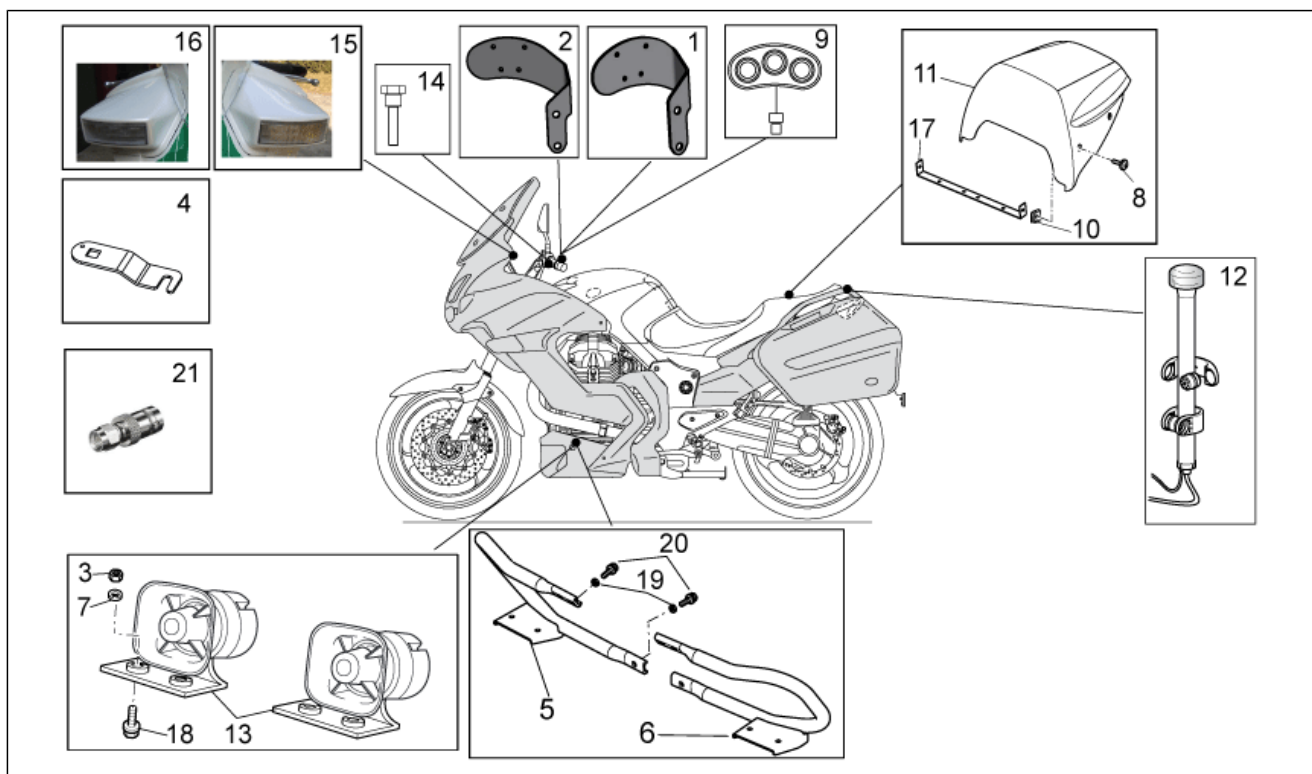
Pos.	Code	Beschrijving	Aant.	Varianten
1	2B000787000YA1	Zijtas re	1	
2	2B000788000YA1	Zijtas li	1	
3	2B000807	Houder tas re	1	
4	2B000808	Houder tas li	1	
5	2B000809	Balk verbinding koffers	1	
6	2B000814	Buis besch. tas re	1	
7	2B000815	Buis besch. tas li	1	
8	884269	Schakelaar	1	

Groep	FRAME
Code	33.77
Beschrijving	Police auxiliary Electrical system
Revisie	1



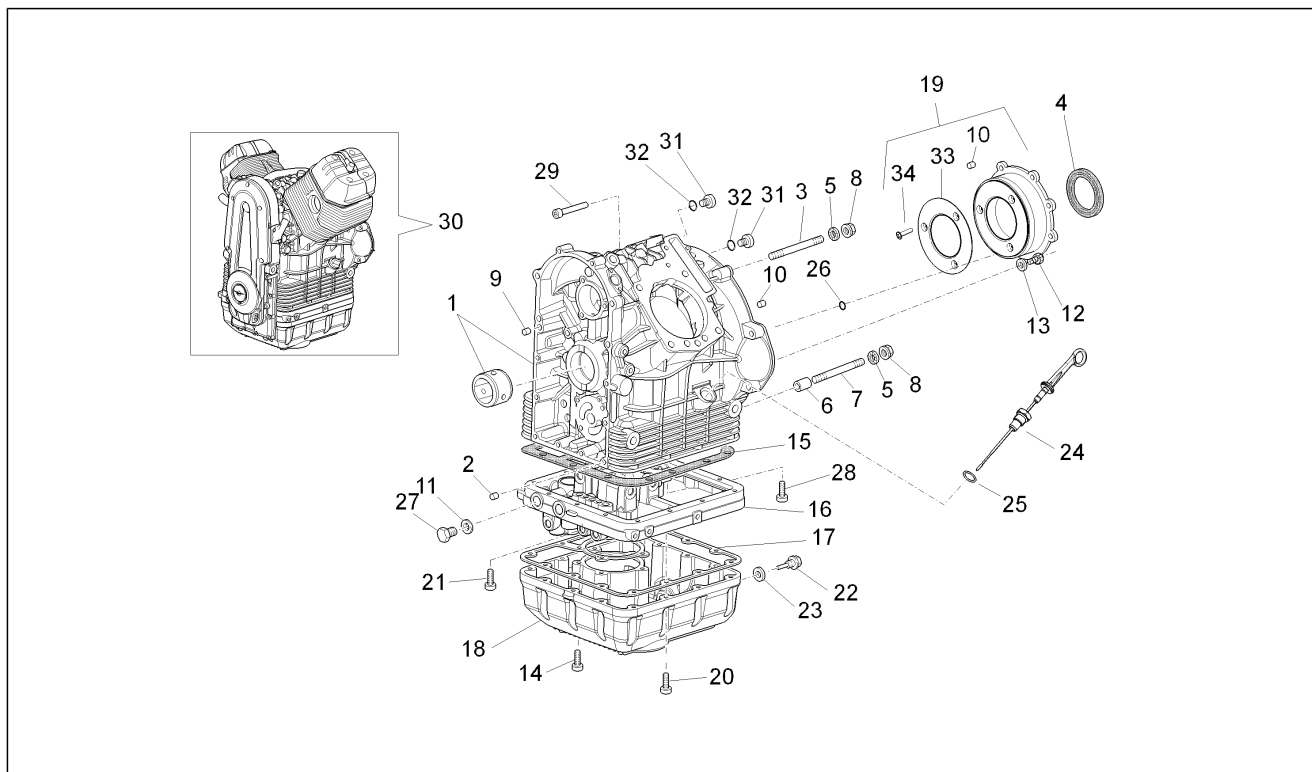
Pos.	Code	Beschrijving	Aant.	Varianten
1	2D000076	Extra bekabeling	1	
2	2D000077	Centralina gestione batteria GB1	1	
3	884268	Centrale P.A.	1	
4	AP8224462	Relais 12V/30A	1	
5	AP8220283	Rubbetje *	1	
6	884305	Kabel verlengsnoeren sirenes	1	

Groep	FRAME
Code	33.78
Beschrijving	Police special equipment
Revisie	1



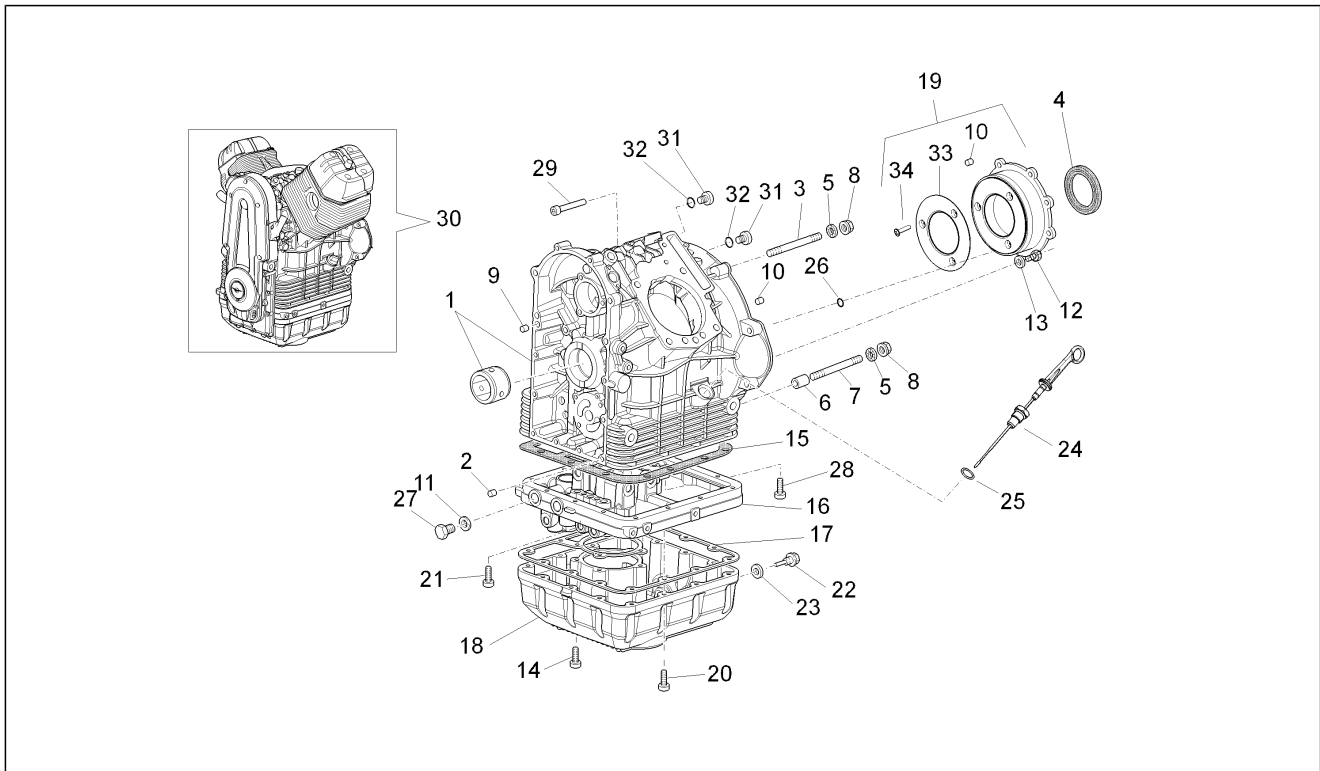
Pos.	Code	Beschrijving	Aant.	Varianten
1	2B000540	Steun voetnst. li	1	
2	2B000789	Steun voetnst. li	1	
3	AP8152299	Zelfborg.bout gefl. M6	4	
4	2B000818	Sluithaak	1	
5	2B000816	Buis schokdemper DX	1	
6	2B000817	Buis schokdemper SX	1	
7	GU95100141	Sluitring 6,4x12x1,2	4	
8	AP8152302	Bolbout met binnenzeskant, geflenst M5x12	4	
9	884241	Knoppenbord	1	
10	248419	Spring plate m5	4	
11	2B000867000YA1	Eindstuk v.azuurbl.	1	
11	884219	Eindstuk ruw	1	
12	884240	Staaft strobo	1	
13	884237	Kit sirene	1	
14	883486	Kolomv. moer	2	
15	88423800YA1	Voorlichtje SX	1	
16	88423900YA1	Voorlichtje DX	1	
17	977993	Beugel	1	
18	AP8152280	Zeskantbout geflenst M6x25	4	
19	GU14615901	Sluitring 8,4X13X0,8	6	
20	AP8152287	Zeskantbout geflenst M8x25	6	
21	2D000083	Adattatore cavo antenna	1	

Groep	ENGINE
Code	34.52
Beschrijving	Crank-case
Revisie	1



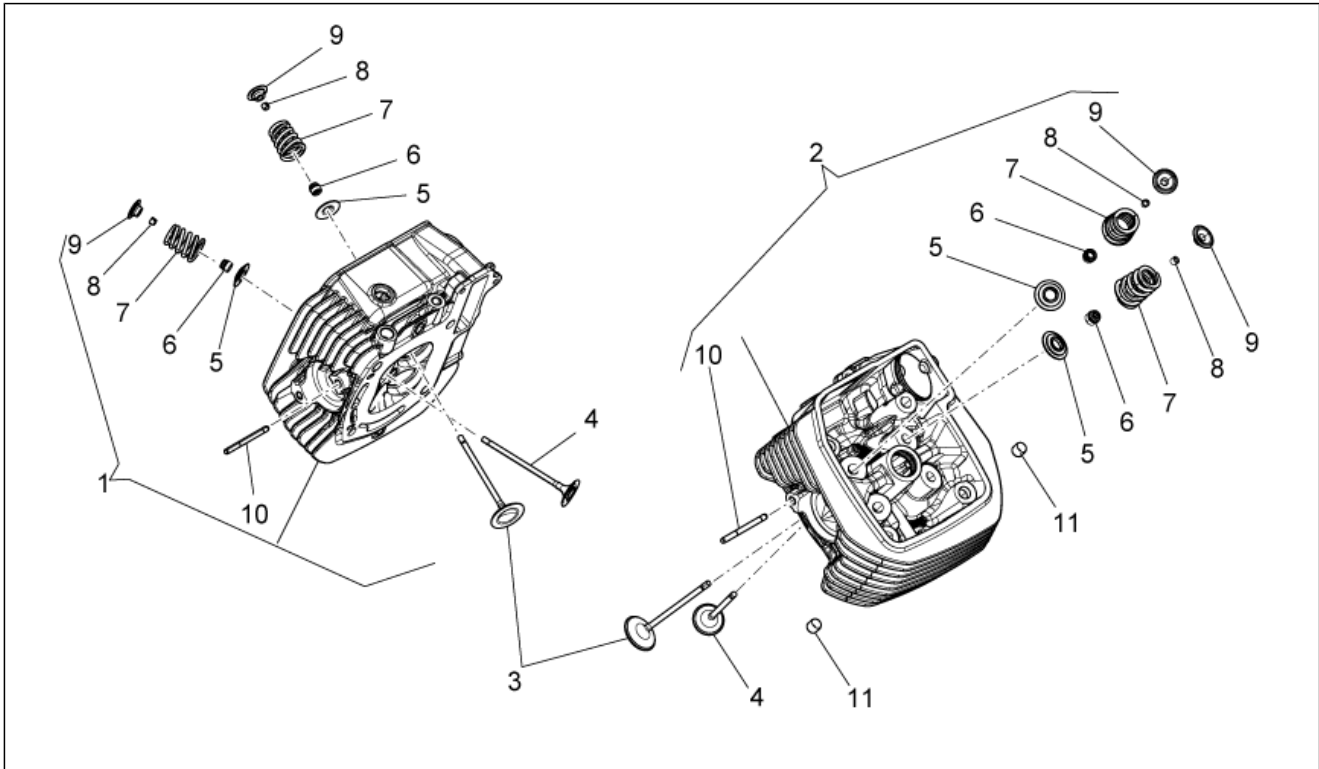
Pos.	Code	Beschrijving	Aant.	Varianten
1	880398	Carter	1	
2	411209	Plug	2	
3	GU96508066	Stiftbout M8X66	3	
4	GU90405367	Dichtingsring	1	
5	GU14615901	Sluistring 8,4X13X0,8	5	
6	GU12018900	Geleiderhuls	2	
7	GU96508075	Stiftbout M8x75	2	
8	GU92660021	Moer geflenst M8	5	
9	GU95512081	Plug	2	
10	560110	Plug	2	
11	GU01154230	Pakking in aluminium	2	
12	GU98084425	Zeskantbout M8x25	8	
13	GU61270300	Elastische sluitring 8x15x0,3	8	
14	GU98620335	Bout M6x35	4	
15	GU01003651	Pakking flens	1	
16	879872	Flens	1	
17	GU05003630	Pakking	1	
18	879874	Pan oil	1	
19	976703	Flens cpl.	1	
20	AP4ADN000007	Binnenzeskantbout	14	
21	GU98680360	Binnenzeskantbout M6x60	2	
22	GU31003766	Afvoerdop olie M10x1	1	
23	GU01528930	Pakking 10x18x1,5	1	
24	883144	Staafliepeil cpl.	1	
25	GU90706178	OR-ring 17,86X2,62	1	
26	874980	OR-ring 7,5X2	1	
27	GU95980216	Dop	2	
28	GU98680340	Binnenzeskantbout M6x40	2	

Groep	ENGINE
Code	34.52
Beschrijving	Crank-case
Revisie	1



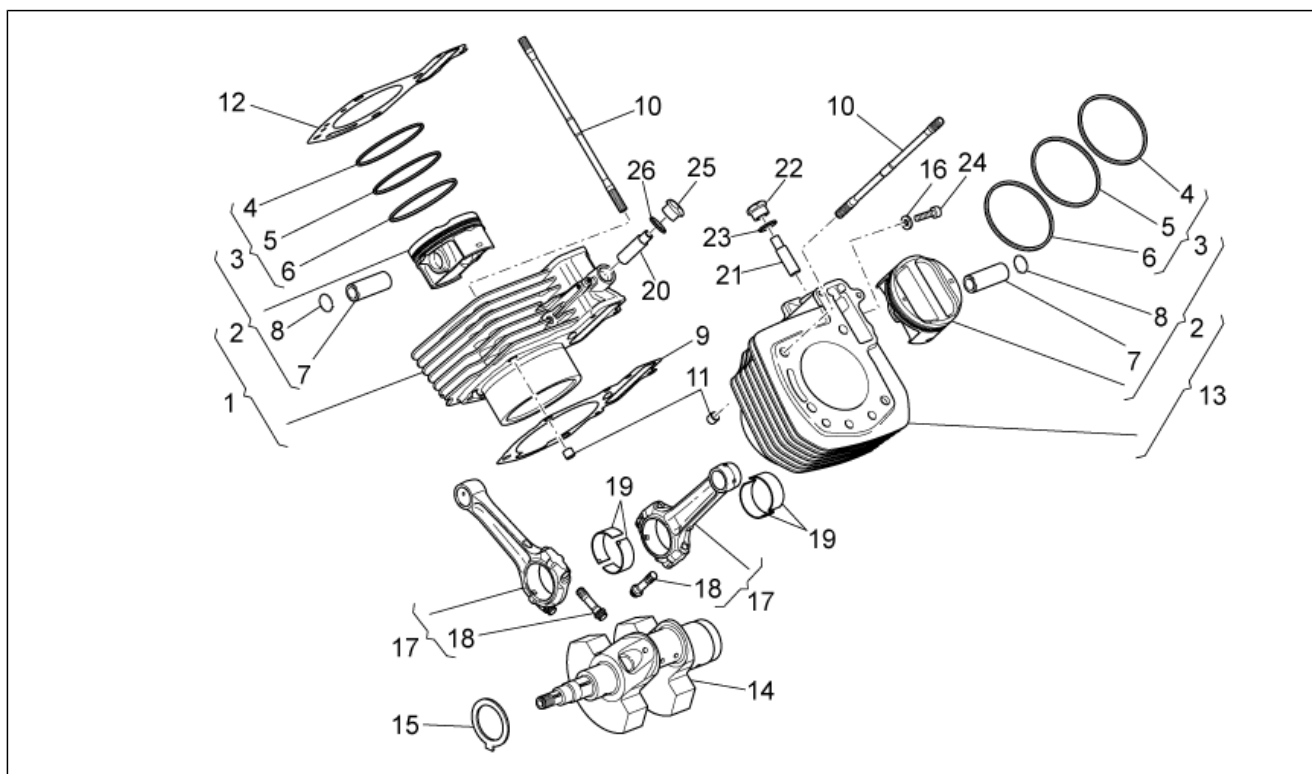
Pos.	Code	Beschrijving	Aant.	Varianten
29	AP8152291	Zeskantbout geflenst	1	
30	9769885	Motor cpl.	1	
31	GU12022600	Oliedop	2	
32	GU90706203	OR-ring 20,24X2,62	2	
33	874134	Schijf opvangen olie	1	
34	015935	Bolschroef M5x12	3	

Groep	ENGINE
Code	34.53
Beschrijving	Cylinder head and valves
Revisie	1



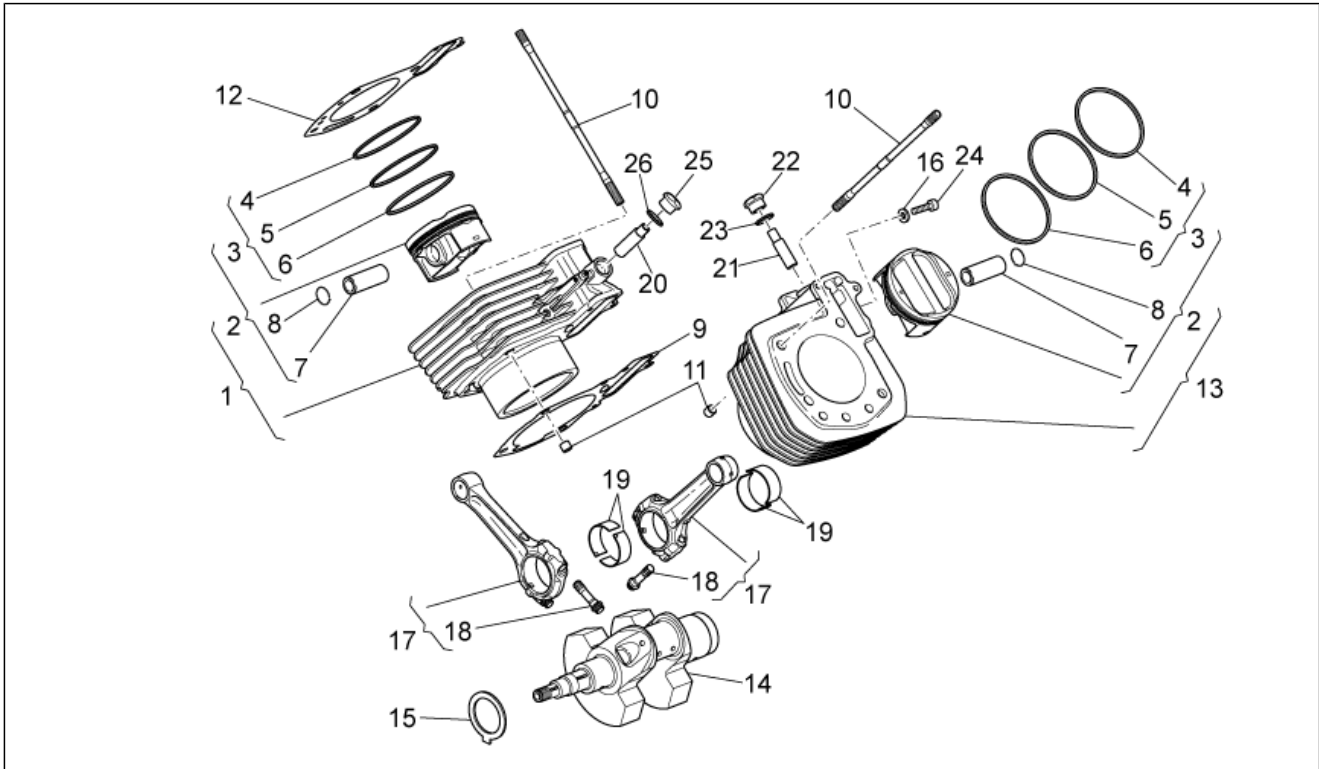
Pos.	Code	Beschrijving	Aant.	Varianten
1	879865	Kop cilinder re	1	
2	879930	Kop cilinder li	1	
3	872695	Klep aanz.	4	
4	872696	Klep uitl.	4	
5	874127	Plaatje ond.	4	
6	436438	Dichtingsring klep	8	
7	B013517	Veer klep	8	
8	285846	Halfconus klep	8	
9	874126	Plaatje bov.	8	
10	827018	Stiftbout uitlaat M8X3X46	4	
11	825597	Plug 11,8X10	8	

Groep	ENGINE
Code	34.54
Beschrijving	Drive shaft - Cylinder
Revisie	1



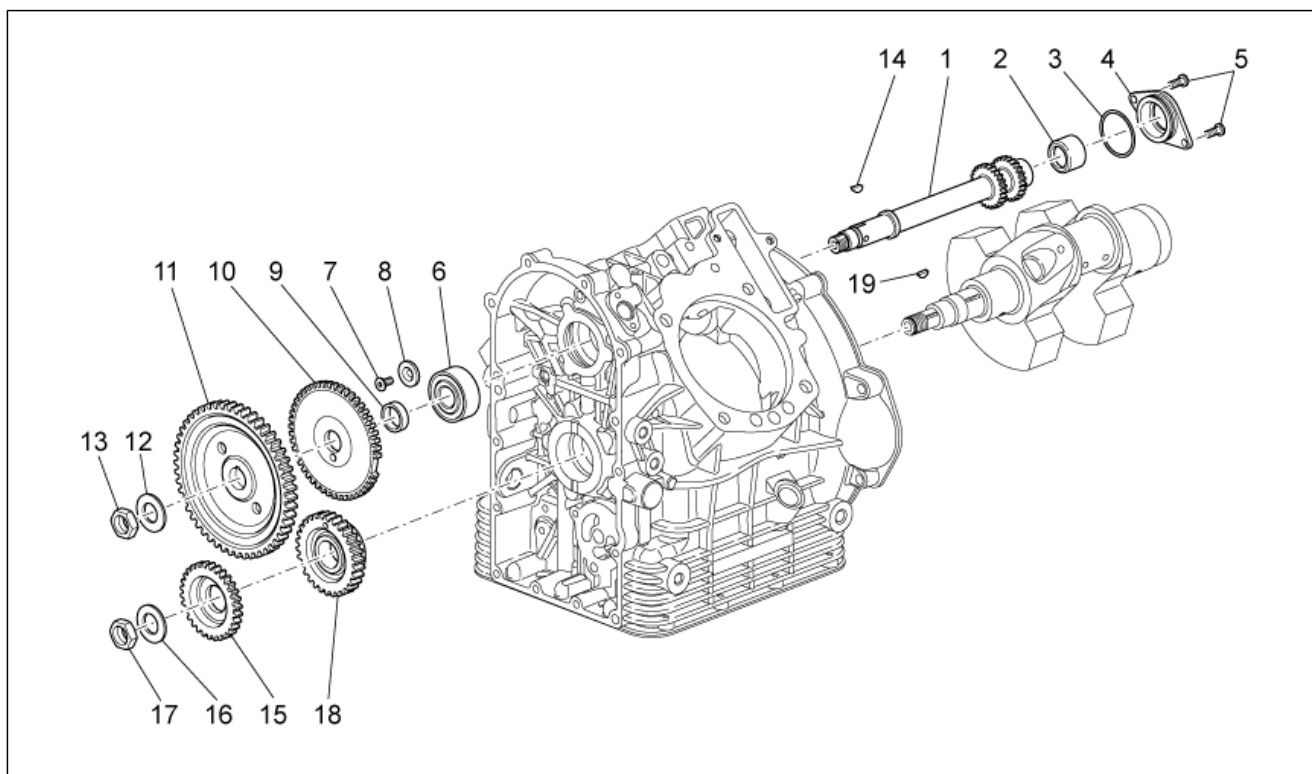
Pos.	Code	Beschrijving	Aant.	Varianten
1	981008	Cilinder met zuiger cpl.re	1	
2	873667	Zuiger D95 cpl	2	
3	981009	Kit elastische banden	2	
4	874287	Elast. band bov.	2	
5	874288	Elastische tussenband	2	
6	874289	Elast. band olieschraap	2	
7	874286	Zuigerpen	2	
8	874567	Blokkeerring	4	
9	976312	Pakking basis cilinder	2	
10	976304	Stiftbout	8	
11	825597	Plug 11,8X10	4	
12	874621	Pakking kop 0,65 mm	2	
12	874622	Pakking kop 0,85 mm	2	
12	976311	Pakking kop 1,05 mm	2	
13	981007	Cilinder met zuiger cpl.li	1	
14	B0133785001	As cpl.	1	Technische specificaties: Kleur selectie bruin[C1]
14	B0133785002	As cpl.	1	Technische specificaties: Kleur selectie groen[C2]
14	B0133785003	As cpl.	1	Technische specificaties: Kleur sectie Zwart[C3]
15	874293	Schraapring	1	
16	GU95100116	Sluitring 6,25x10x1,5	2	
17	8783390001	Drijfstang cpl.	2	Technische specificaties: Kleur selectie bruin[C1]
17	8783390002	Drijfstang cpl.	2	Technische specificaties: Kleur selectie groen[C2]
17	8783390003	Drijfstang cpl.	2	Technische specificaties: Kleur sectie Zwart[C3]
18	849131	Bout drijfstang	4	
19	875243	Halfdop kussenblok 1,535-1,540	4	
19	875244	Halfdop kussenblok 1,539-1,544	4	
20	873689	Kettingspanner re	1	
21	873690	Kettingspanner li	1	

Groep	ENGINE
Code	34.54
Beschrijving	Drive shaft - Cylinder
Revisie	1



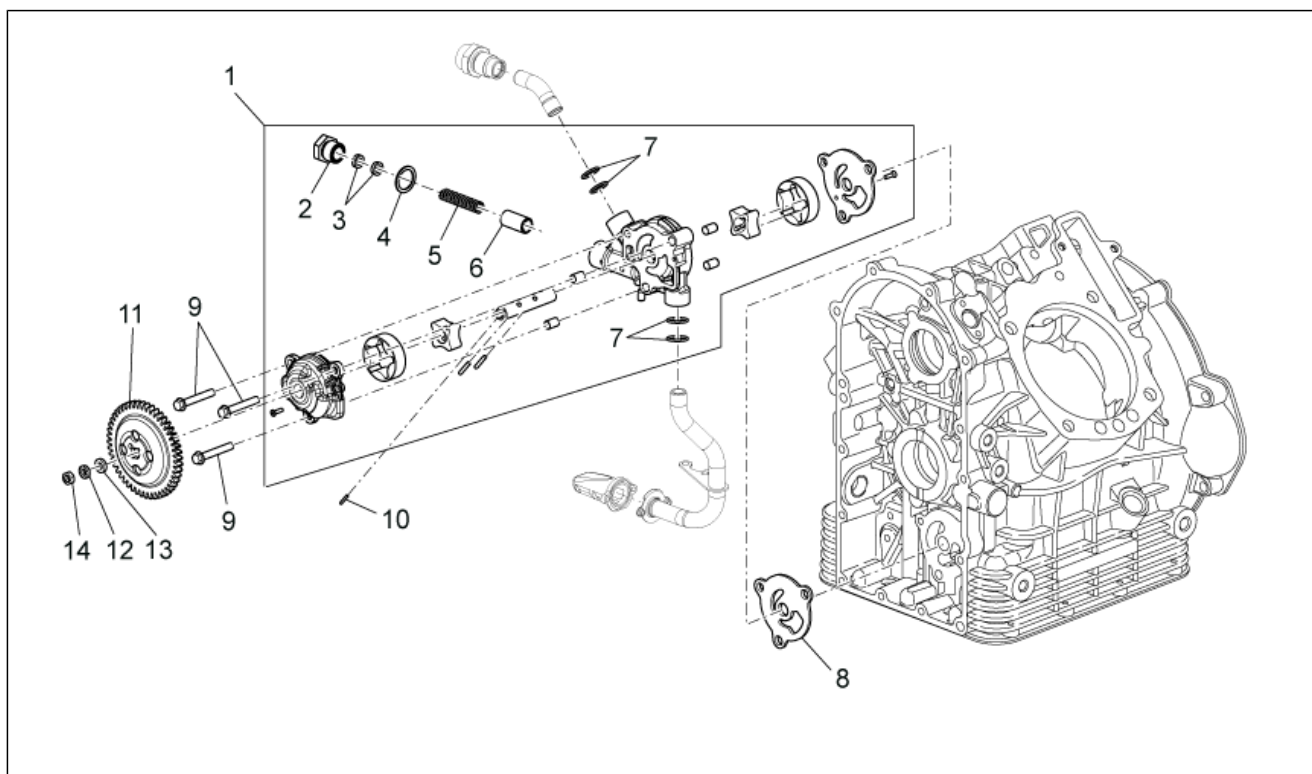
Pos.	Code	Beschrijving	Aant.	Varianten
22	976342	Dop kettingspanner	1	
23	849866	Sluitring	1	
24	GU98350310	Bolbout met binnenzeskant M6x20	2	
25	879404	Dop kettingspanner	1	
26	879405	Rondel	1	

Groep	ENGINE
Code	34.55
Beschrijving	Timing system
Revisie	1



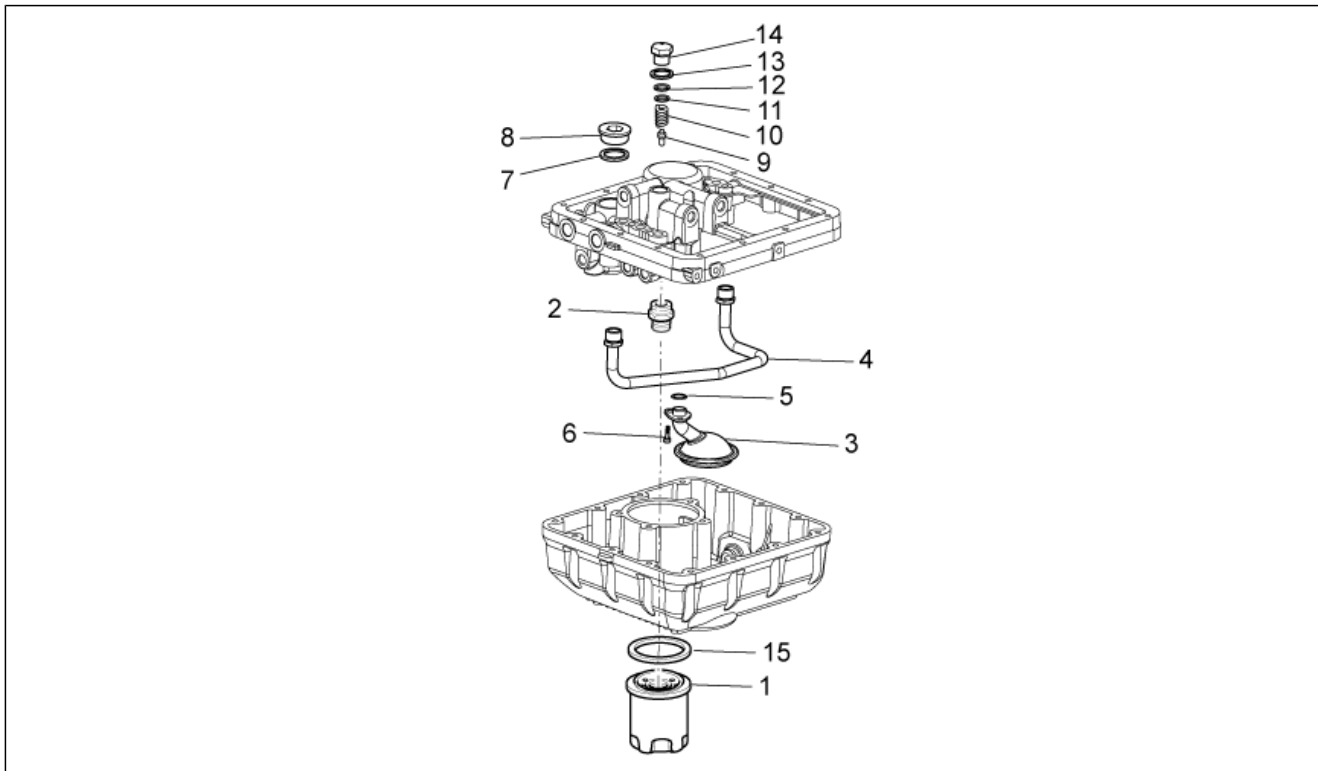
Pos.	Code	Beschrijving	Aant.	Varianten
1	976330	Distrib.as	1	
2	976381	Rollenkooi 25x32x12	1	
3	976488	OR-ring 37,82x1,78	1	
4	976331	Flens	1	
5	GU98350315	Bolbout met binnenzeskant M6x14	2	
6	976355	Kogellager 20x47x18	1	
7	AP8152166	Bout M6x16	2	
8	873928	Rondel	1	
9	976334	Afstandhouder	1	
10	976538	Geluidswiel	1	
11	874281	Raderw.distrib.	1	
12	GU14433400	Elastische sluitring 19x34x1,5	1	
13	829232	Moer M18x1,5	1	
14	GU91600450	Sluitwig	1	
15	8787074	Raderw.aandr.oliepomp	1	
16	976665	Bekerveer	1	
17	976649	Moer M25x1,5	1	
18	874280	Raderw. geleidend	1	
19	GU91600365	Sluitwig 3x6,5	1	

Groep	ENGINE
Code	34.56
Beschrijving	Oil pump
Revisie	1



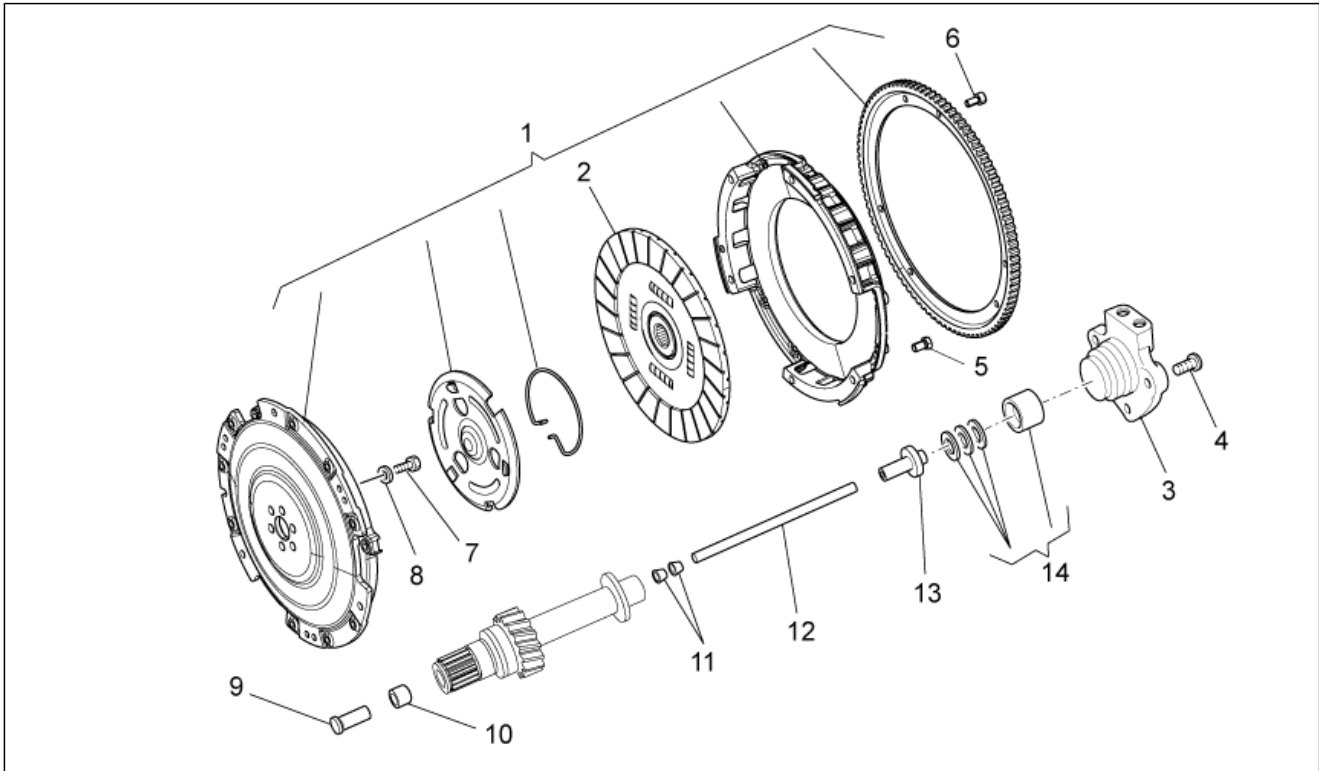
Pos.	Code	Beschrijving	Aant.	Varianten
1	8746505	Oliepomp cpl.	1	
2	GU31159050	Dop	1	
3	GU30158900	Sluitring	2	
4	GU18144350	Sluitring 18,25x24x1	1	
5	829486	Veer	1	
6	829661	Klep oliedruk	1	
7	237553	OR-ring	4	
8	874482	Pakking	1	
9	414835	Bout	3	
10	874801	Plug 2x13,8	1	
11	877101	Raderwerk oliepom	1	
12	GU03013800	Sluitring 6,4x12	1	
13	GU95005306	Sluitring 6,4x13x1,5	1	
14	873906	Moer laag	1	

Groep	ENGINE
Code	34.57
Beschrijving	Oil filters
Revisie	1



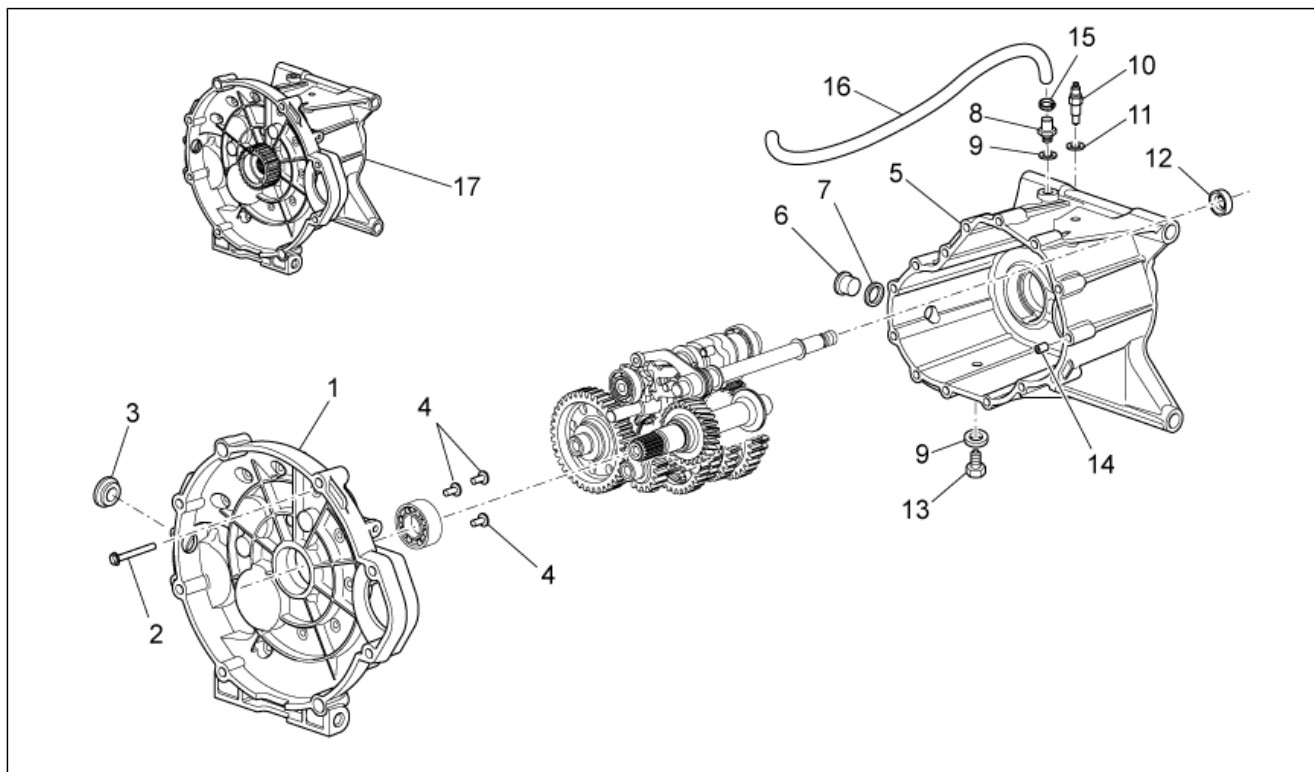
Pos.	Code	Beschrijving	Aant.	Varianten
1	GU30153000	Oliefilter	1	
2	829122	Verbinding oliefilter	1	
3	GU05152230	Oliefilter	1	
4	GU05005730	Buis	1	
5	GU90706151	O-ring 15,08x2,62viton	1	
6	877820	Binnenkantbout M6x18	2	
7	976636	Pakking in koper	1	
8	976635	Dop	1	
9	GU30150900	Zuigertje	1	
10	GU94321077	Veer	1	
11	GU95008206	Sluitring 6,15x11x0,8	2	
12	GU30158900	Sluitring	1	
13	GU18144350	Sluitring 18,25x24x1	1	
14	GU31159050	Dop	1	
15	981115	Pakking	1	

Groep	ENGINE
Code	34.58
Beschrijving	Clutch
Revisie	1



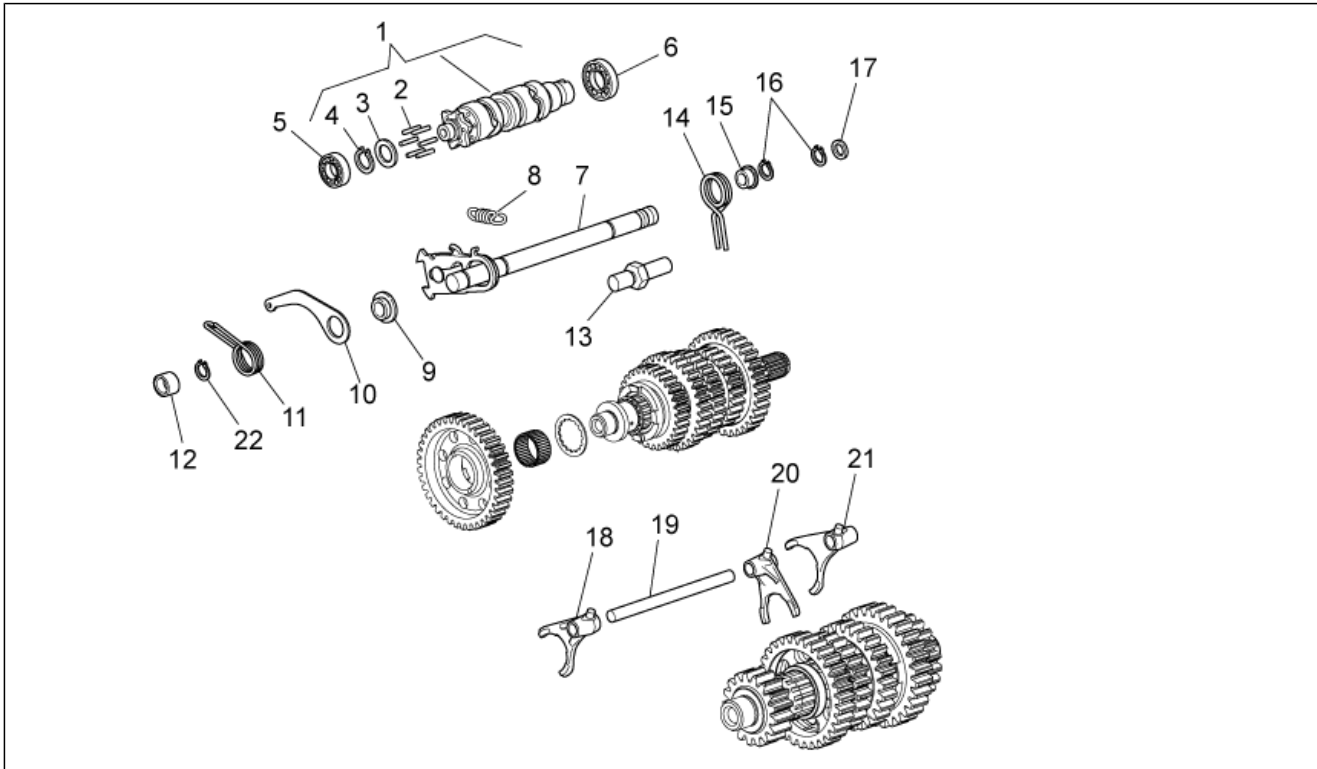
Pos.	Code	Beschrijving	Aant.	Varianten
1	976695	Koppeling cpl.	1	
2	976053	Koppelingsschijf	1	
3	978739	Cilinder commando koppeling	1	
4	598839	Zeskantbout geflenst	3	
5	976535	Binnenzeskantbout M7x16	6	
6	GU98230612	Bout	6	
7	976481	Zeskantbout geflenst M8x25	6	
8	976484	Elastische conische sluitring 8,2X15	1	
9	B013036	Bekertje commando koppeling	1	
10	976564	Beslagring	1	
11	GU14085900	Huls	2	
12	976593	StAAF L=mm183	1	
12	976594	StAAF L=mm184,5	1	
12	976595	StAAF L=mm186	1	
12	976596	StAAF L=mm187,5	1	
12	B0630111	Stang L=mm 1 185	1	
12	B063012	Stang L=mm 185,5	1	
13	B013037	Romp int.koppeling	1	
14	976696	Kit lager drukst.	1	

Groep	ENGINE
Code	34.59
Beschrijving	Transmission cage
Revisie	1



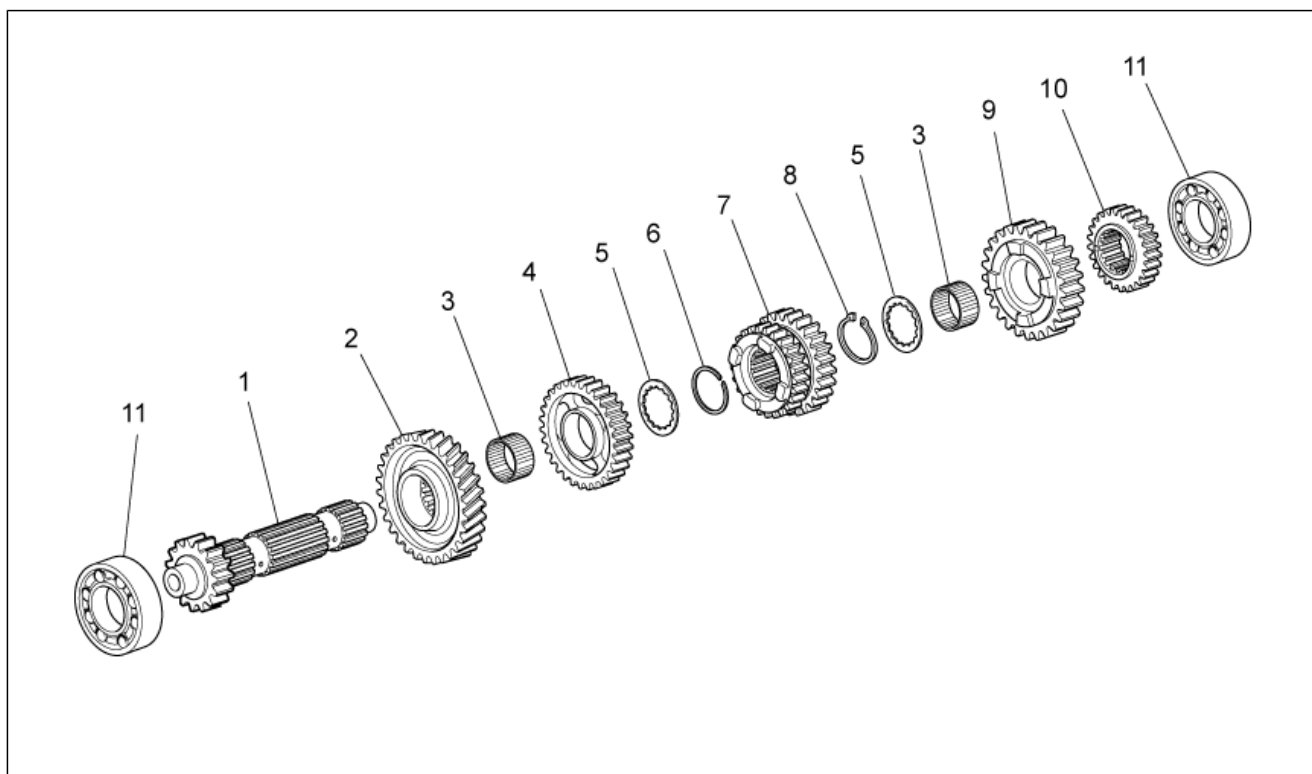
Pos.	Code	Beschrijving	Aant.	Varianten
1	879871	Koppelingsblok	1	
2	GU97202355	Zeskantbout geflenst M6x55	14	
3	GU93180220	Dop	1	
4	GU98370616	Bolbout met binnenzeskant M6x16 inox	3	
5	879869	Doos versn.bak	1	
6	GU95980319	Oliedop M18x1,5	1	
7	GU18144350	Sluitring 18,25x24x1	1	
8	GU05204930	Dop ontluchting	1	
9	GU01528930	Pakking 10x18x1,5	2	
10	GU19207220	Sensor vrij	1	
11	B063025	Pakking 8,7x14,2x1,3	1	
12	GU90401424	Dichtingsring 14x24x7	1	
13	GU31003766	Afvoerdop olie M10x1	1	
14	GU19002020	Beslagring 6,6x9x13	2	
15	AP8101595	Klemmetje D10,1	1	
16	896544	Benzineleiding 5,5x10	1	
17	976976	Doos versn.bak cpl.	1	

Groep	ENGINE
Code	34.60
Beschrijving	Gear box selector
Revisie	1



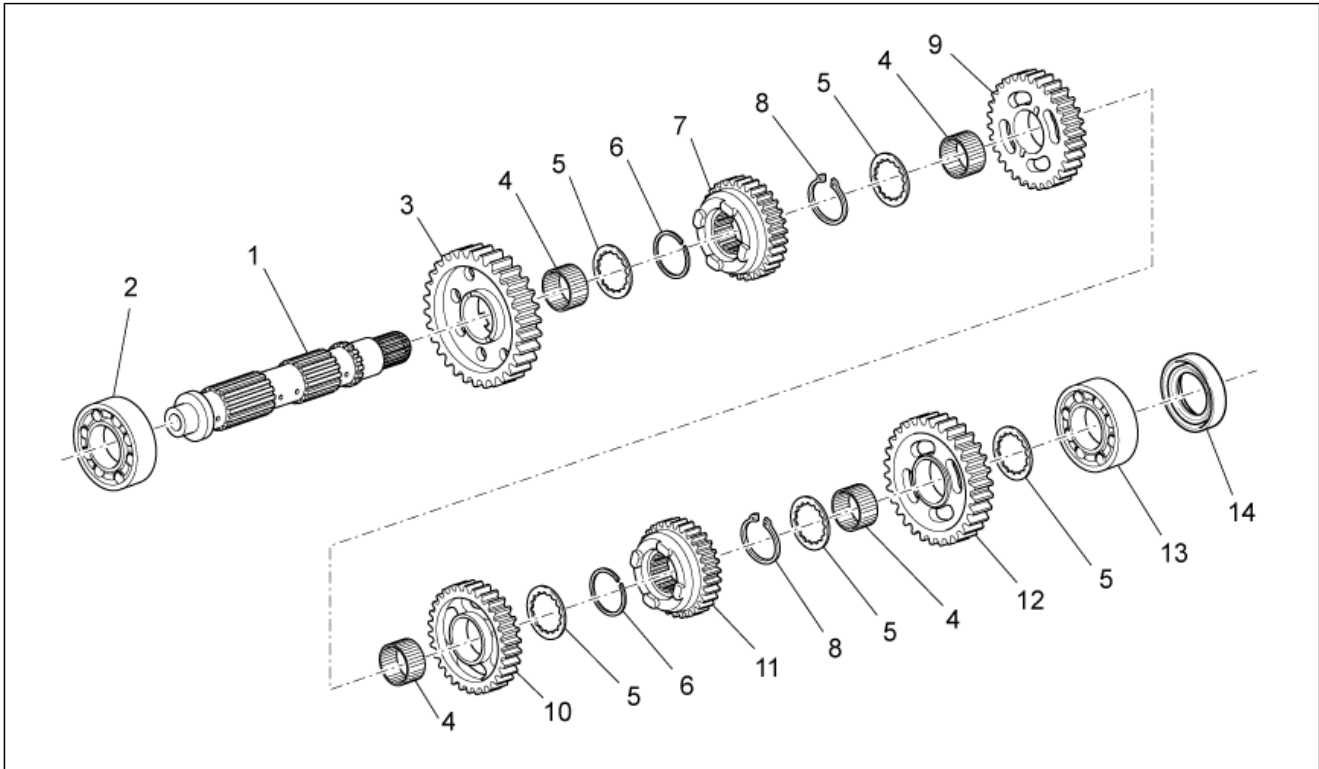
Pos.	Code	Beschrijving	Aant.	Varianten
1	GU05234431	Shift cam cpl.	1	
2	GU05234631	Pin	6	
3	GU05235531	Dikke	1	
4	GU90271022	Seegerring	1	
5	GU92201117	Kogellager 17x35x10	1	
6	GU92201025	Kogellager 25x42x9	1	
7	GU05236231	Voorschakelaar cpl.	1	
8	GU05238231	Veer	1	
9	GU05238431	Beslagring	1	
10	GU05234731	Hendel Index	1	
11	GU05234130	Veer	1	
12	GU05234230	Afstandhouder	1	
13	GU05234931	Pin koppeling	1	
14	GU05238331	Veer	1	
15	GU05238131	Afstandhouder	1	
16	GU90271014	Seegerring	2	
17	GU05239330	Koppelschotel	1	
18	GU05230531	Vork 1a-3a	1	
19	GU05232431	As vork	1	
20	GU05232631	Vork 5a-6a	1	
21	GU05230831	Vork 2a-4a	1	
22	GU90353014	Seegerring	1	

Groep	ENGINE
Code	34.61
Beschrijving	Primary gear shaft
Revisie	1



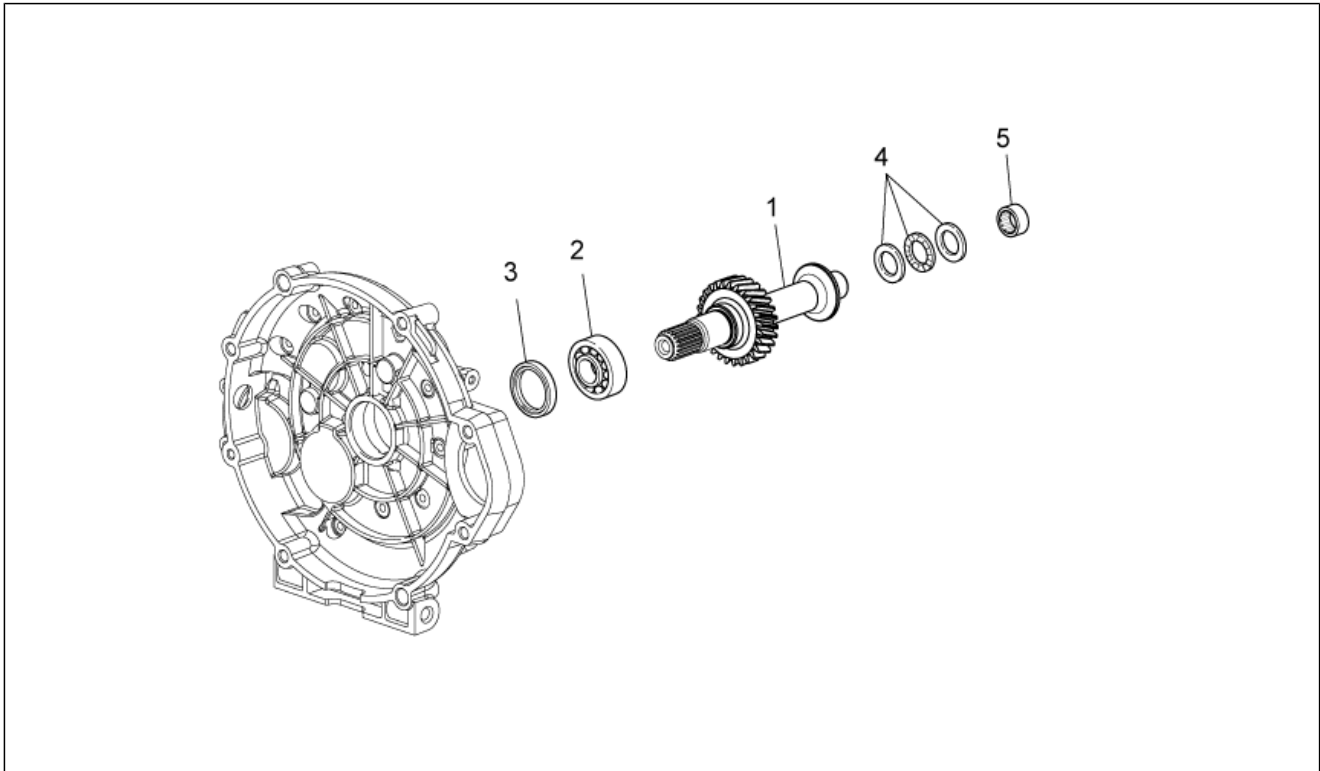
Pos.	Code	Beschrijving	Aant.	Varianten
1	GU05210631	Primaire as Z=17	1	
2	GU06215600	Raderw.transmissie Z=35	1	
3	GU92252029	Rollenkooi 26x30x15,6	2	
4	976177	Raderw. 5e Z=31	1	
5	GU05214630	Steunende sluitring	2	
6	GU90271230	Elastische ring 30x1,2SW	1	
7	GU05211431	Raderwerk 3a-4a Z=23-26	1	
8	GU90271030	Elastische ring 30x27,9	1	
9	976179	Raderw. 6e Z=30	1	
10	GU05211331	Raderwerk 2a Z=20	1	
11	GU92201822	Kogellager 20x52x15	2	

Groep	ENGINE
Code	34.62
Beschrijving	Driven shaft
Revisie	1



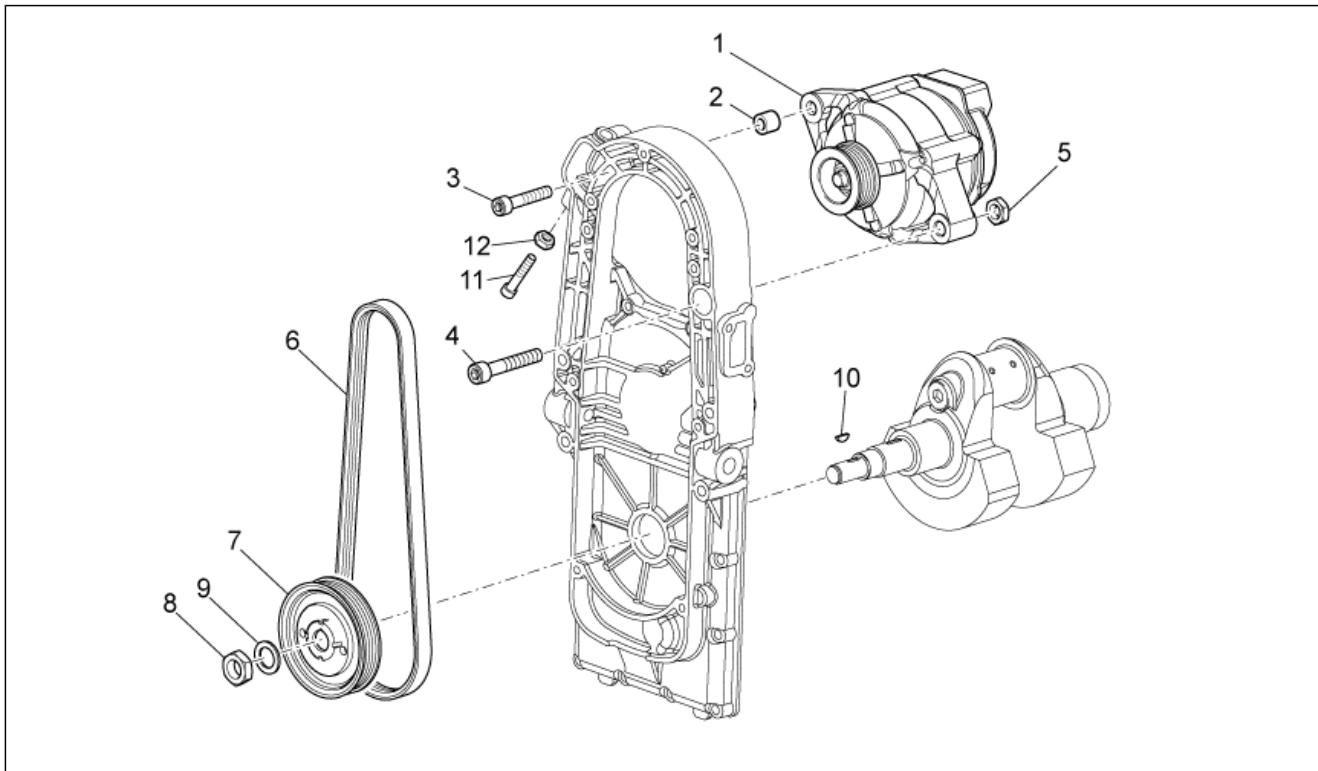
Pos.	Code	Beschrijving	Aant.	Varianten
1	GU05213631	Secundaire as	1	
2	GU92201822	Kogellager 20x52x15	1	
3	GU05214231	Raderwerk 1a Z=38	1	
4	GU92252029	Rollenkooi 26x30x15,6	4	
5	GU05214630	Steunende sluitring	5	
6	GU90271230	Elastische ring 30x1,2SW	2	
7	976178	Raderw. 5e Z=29	1	
8	GU90271030	Elastische ring 30x27,9	2	
9	GU05214731	Raderwerk 3a Z=31	1	
10	GU05215031	Raderwerk 4a Z=29	1	
11	976180	Raderw. 6e Z=24	1	
12	GU05214431	Raderwerk 2a Z=34	1	
13	GU92201226	Kogellager 25x52x15	1	
14	GU90412541	Dichtingsring 25x40x7	1	

Groep	ENGINE
Code	34.63
Beschrijving	Clutch shaft
Revisie	1



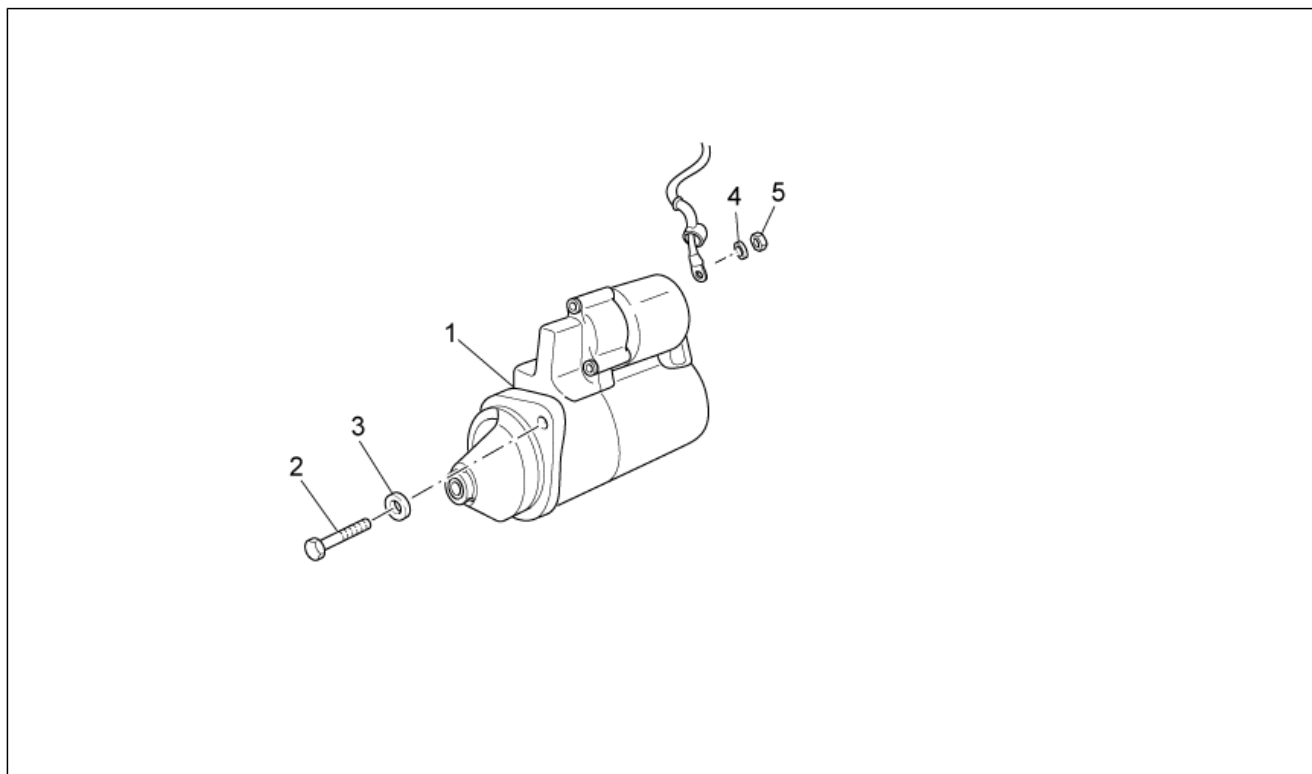
Pos.	Code	Beschrijving	Aant.	Varianten
1	976352	Koppelingsas Z=24	1	
2	GU92201226	Kogellager 25x52x15	1	
3	976533	Dichtingsring 25x47x7	1	
4	976532	Lager drukst.	1	
5	GU92232028	Rollager 20x28x13	1	

Groep	ENGINE
Code	34.64
Beschrijving	Current generator
Revisie	1



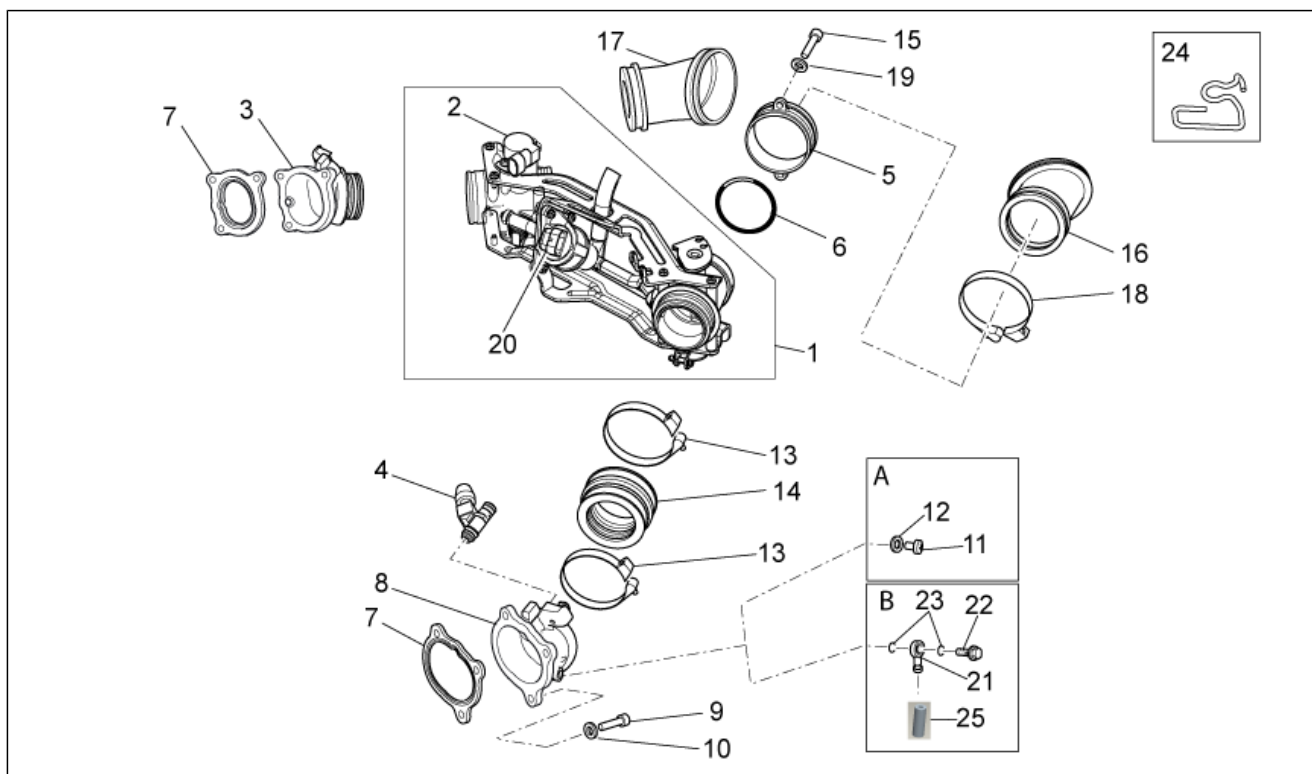
Pos.	Code	Beschrijving	Aant.	Varianten
1	886255	Alternator	1	
2	GU91180823	Afstandhouder 8,5x17x13	1	
3	GU98620445	Binnenzeskantbout M8x45	1	
4	GU98620560	Binnenzeskantbout M10x60	1	
5	GU92660012	Moer M10X1,5	1	
6	GU05702530	Riem	1	
7	GU05701430	Poelie commando alternator	1	
8	GU92606516	Moer M16	1	
9	GU30714201	Sluitring 16,25x24,5x5	1	
10	GU4FAN000030	Sluitwig vliegwielmagneet	1	
11	GU98230850	Bolbout met binnenzeskant M8x50	1	
12	GU92605408	Moer M8x1,25	1	

Groep	ENGINE
Code	34.65
Beschrijving	Starter motor
Revisie	1



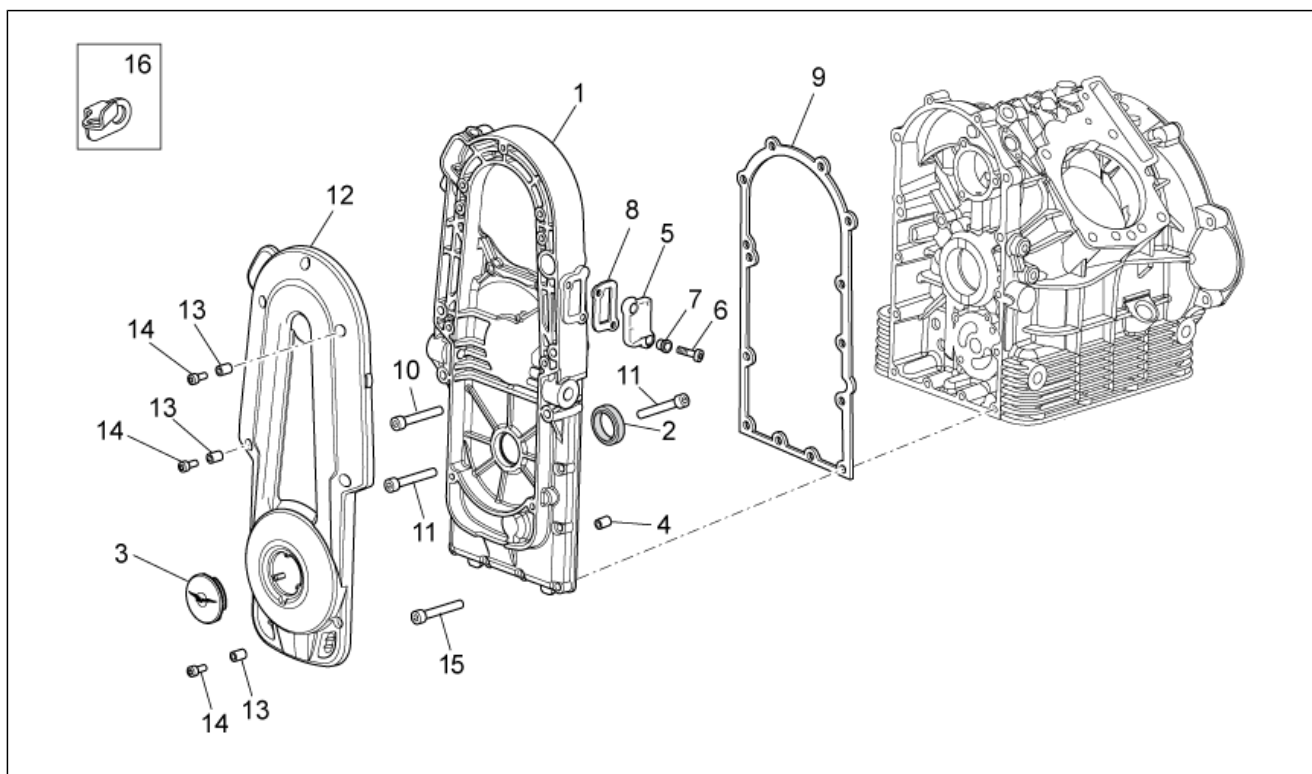
Pos.	Code	Beschrijving	Aant.	Varianten
1	GU05730730	Startmotor Bosch	1	
2	GU98082475	Zeskantbout M8x75	2	
3	GU03270300	Sluitring 8,4x15	2	
4	GU95129131	Sluitring gegolfd 8,4x15x1,7	1	
5	GU92609408	Moer M8x1,25	1	

Groep	ENGINE
Code	34.66
Beschrijving	Throttle body
Revisie	1



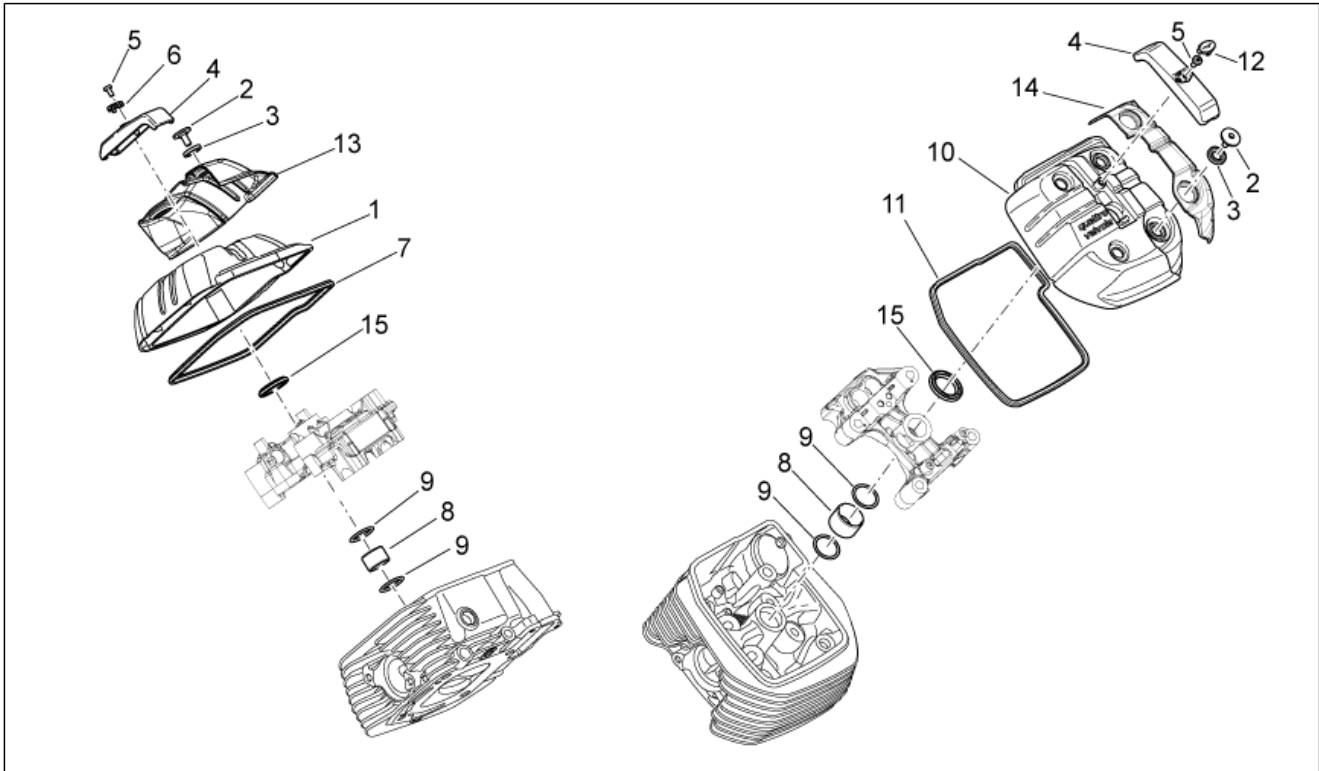
Pos.	Code	Beschrijving	Aant.	Varianten
1	880270	Vlinderromp	1	
2	981010	Potentiometer	1	
3	879878	Pijp aanz. re	1	
4	CM074706	Injector cpl.	2	
5	976498	Flens	2	
6	976566	OR-ring 53,7x1,78	2	
7	873879	Pakking coll. aanzuiging	2	
8	879877	Pijp aanz. li	1	
9	GU98882325	Binnenzeskantbout verl. M6x25 M6x25	6	
10	GU95008206	Sluitring 6,15x11x0,8	6	
11	GU98350310	Bolbout met binnenzeskant M6x20	2	
12	GU95100116	Sluitring 6,25x10x1,5	2	
13	GU93305061	Klemmetje 61/65,5	4	
14	873861	Mof	2	
15	GU98682212	Binnenzeskantbout M5x12	2	
16	883316	Aanzuigmof re	1	
17	883315	Aanzuigmof li	1	
18	GU93306050	Klein bandje 50x90x9	2	
19	GU95008305	Sluitring 5,3X10X1	2	
20	896540	Motortje regeling minimum	1	
21	GU95963062	Verbinding	2	
22	GU95990023	Geperfor. bout	2	
23	GU90706009	OR-ring 6x1	4	
24	887209	Kabelwartel	1	
25	487567	Dop	1	

Groep	ENGINE
Code	34.67
Beschrijving	Crank-case II
Revisie	1



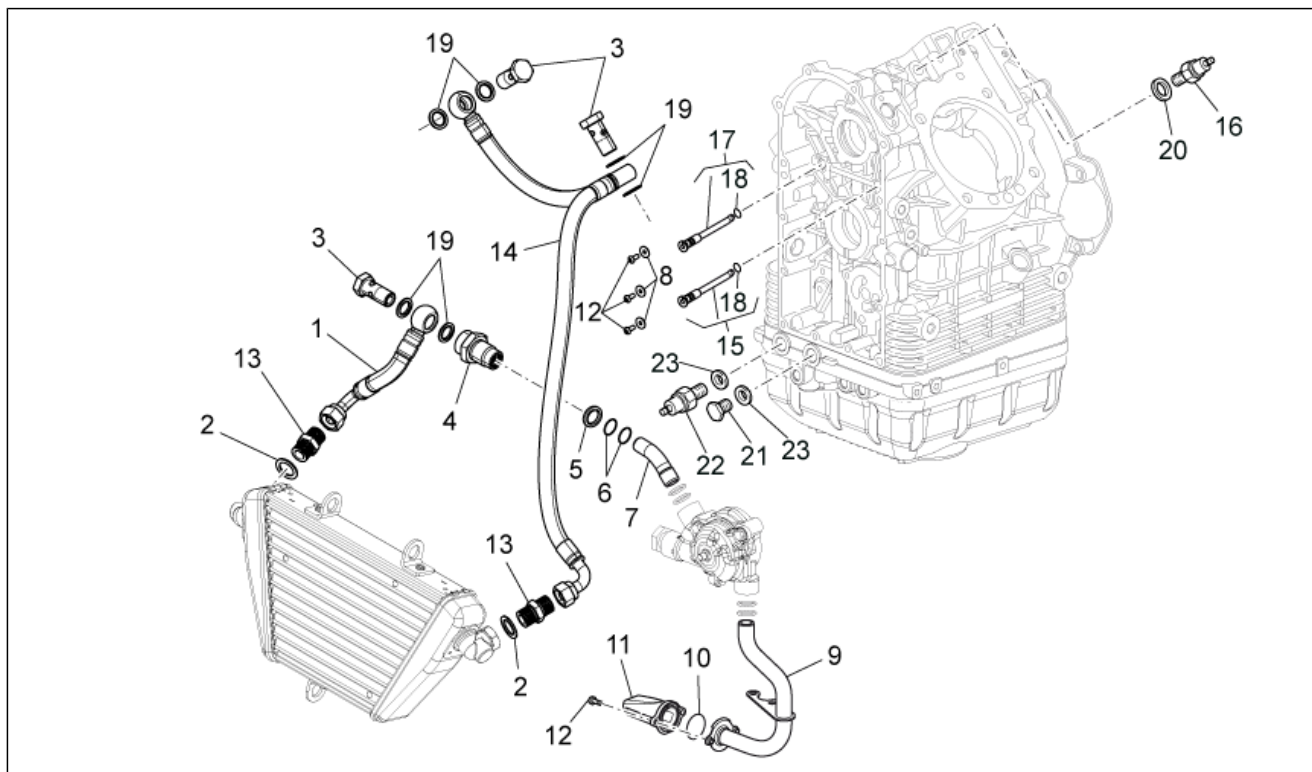
Pos.	Code	Beschrijving	Aant.	Varianten
1	879876	Bedekking distrib.	1	
2	GU90412237	Dichtingsring 22x35x7viton	1	
3	GU05002130	Dop	1	
4	825597	Plug 11,8X10	2	
5	976554	Dop	1	
6	GU98682320	Binnenzeskantbout M6x20	2	
7	GU91120607	Beslagring 6,4x8,4x10,5	2	
8	177408	OR-ring	1	
9	976478	Pakking bedekking	1	
10	AP8150046	Binnenzeskantbout M8x55	4	
11	GU98620330	Bout	9	
12	GU05001630	Bedekking generator grijs	1	
13	GU91120606	Beslagring 6,8x8,8x5,8	6	
14	GU98682316	Binnenzeskantbout M6x16	5	
15	GU98620335	Bout M6x35	1	
16	GU06765500	Kabelwartel	1	

Groep	ENGINE
Code	34.68
Beschrijving	Head cover
Revisie	1



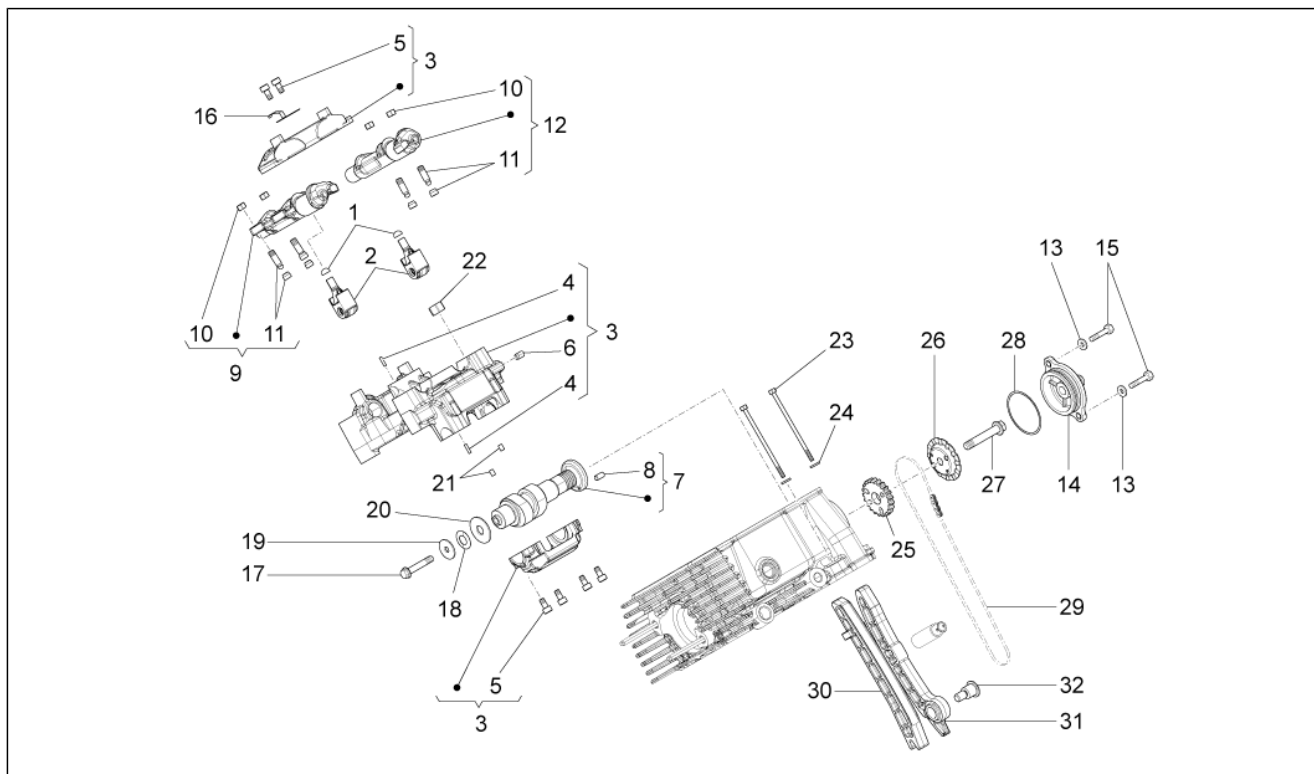
Pos.	Code	Beschrijving	Aant.	Varianten
1	880124	Bedekking kop re	1	
2	976591	Speciale bout	8	
3	879975	Buffer demper	8	
4	883493	Bedekking bougie	2	
5	GU98230510	Bolbout met binnenzeskant	2	
6	976560	Plaatje re "Moto Guzzi"	1	
7	872742	Pakking re	1	
8	879987	Buis bougie	2	
9	873626	OR-ring 26X2,5	4	
10	880123	Bedekking kop li	1	
11	872741	Pakking li	1	
12	976559	Plaatje li "Moto Guzzi"	1	
13	873654	Bedekking re	1	
14	872740	Bedekking li	1	
15	880127	Pakking	2	

Groep	ENGINE
Code	34.73
Beschrijving	Lubrication
Revisie	1



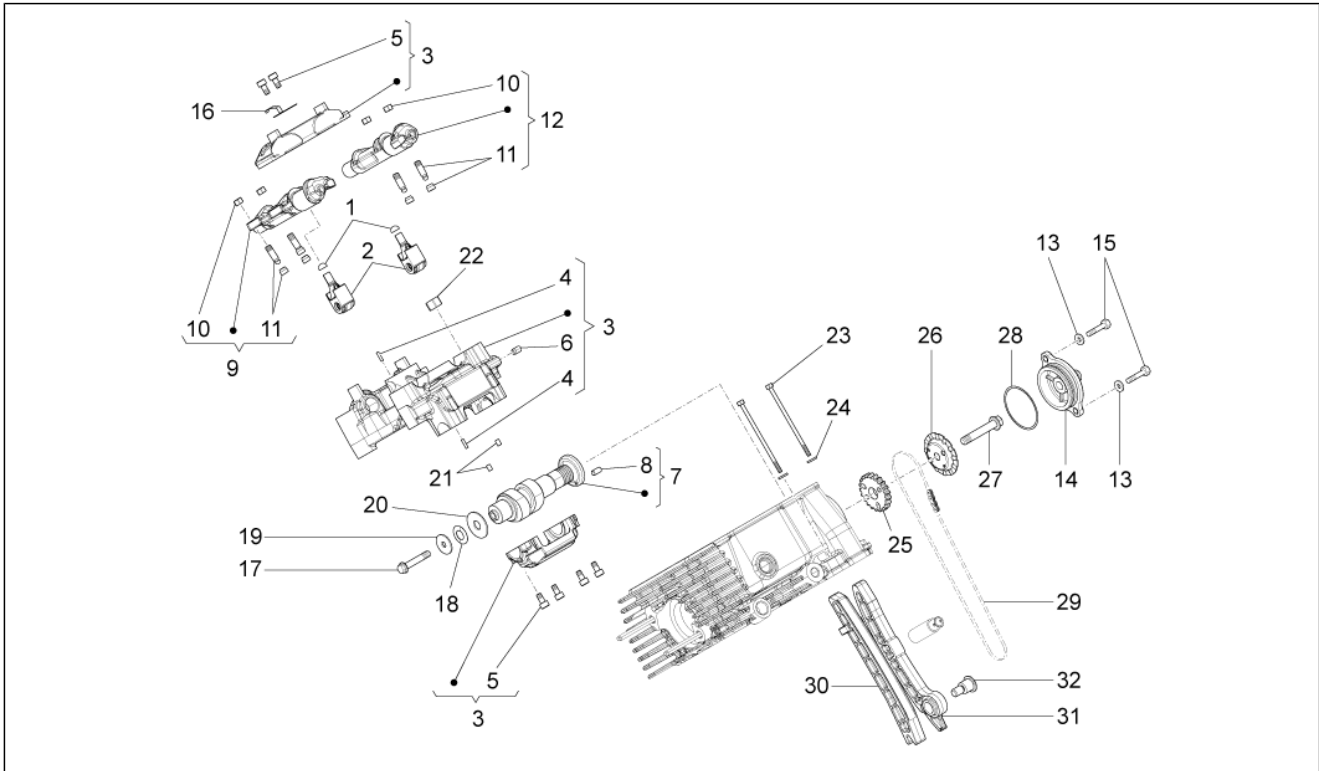
Pos.	Code	Beschrijving	Aant.	Varianten
1	897599	Leiding olietoevoer	1	
2	GU01154230	Pakking in aluminium	2	
3	874223	Geperfor. bout	3	
4	874669	Nippel	1	
5	976592	Pakking	1	
6	434947	OR-ring 12,42x1	2	
7	874646	Olieleiding	1	
8	013763	Vlakke rondel 4,2x12x1	3	
9	874645	Buis aanzuiging	1	
10	969323	OR-ring	1	
11	874655	Oliefilter aanzuiging	1	
12	621914	Bout	5	
13	GU01161331	Reductie	2	
14	886122	Leiding terugloop olie	1	
15	976680	Straalpijp li	1	
16	978854	Sensor oliedruk	1	
17	976681	Straalpijp re	1	
18	874238	OR-ring	4	
19	976597	Pakking in koper	6	
20	GU12006400	Pakking in aluminium 12,25	1	
21	GU95980216	Dop	1	
22	642077	Thermoschakelaar	1	
23	GU01154230	Pakking in aluminium	2	

Groep	ENGINE
Code	34.74
Beschrijving	RH cylinder timing system II
Revisie	1



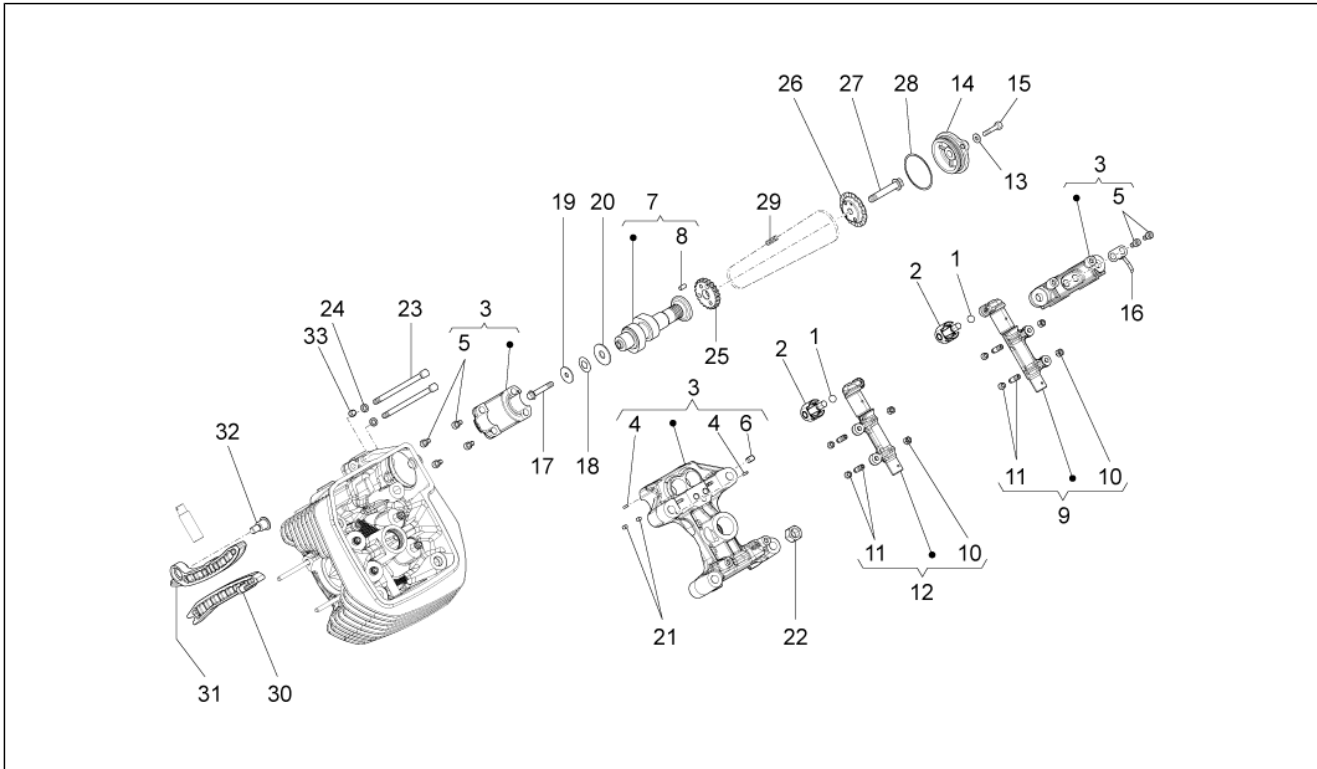
Pos.	Code	Beschrijving	Aant.	Varianten
1	878574	Pastille	2	
2	B016785	Kleplicht.	2	
3	B017029	Houder as tuimelaars DX	1	
4	872759	Plug D. 2,5	4	
5	015792	Bout M8x30	6	
6	842360	Geschroefdrade dop M6x10	1	
7	B014576	Cam axle	1	
8	976589	Plug	1	
9	B0136034	Tuimelaar aanzuiging li uitlaat re	1	
10	879916	Moer regeling balanceringen	4	
11	879707	Regelbout	4	
12	B0136054	Tuimelaar aanzuiging re uitlaat li	1	
13	GU95129100	Elastische sluitring 5,3X10X0,5	2	
14	B013479	Bedekking ontluchting cpl.	1	
15	GU98622214	Bout	2	
16	B013661	Staalplaatje	1	
17	414837	Zeskantbout geflenst M6x25	1	
18	879938	Bekerveer	1	
19	879936	Vulring	1	
20	879937	Vulring	1	
21	B013552	Rolletje	2	
22	833520	Moer M10X1,25 6H	8	
23	487444	Geflenste bout M6x120	2	
24	976674	Sluitring vlak 12x6,1x2	2	
25	976350	Raderw. distr.	1	
26	874601	Staalplaatje ontluchting	1	
27	843060	Geflenste bout	1	
28	880965	Dichtingsring 2,62x46,52	0	

Groep	ENGINE
Code	34.74
Beschrijving	RH cylinder timing system II
Revisie	1



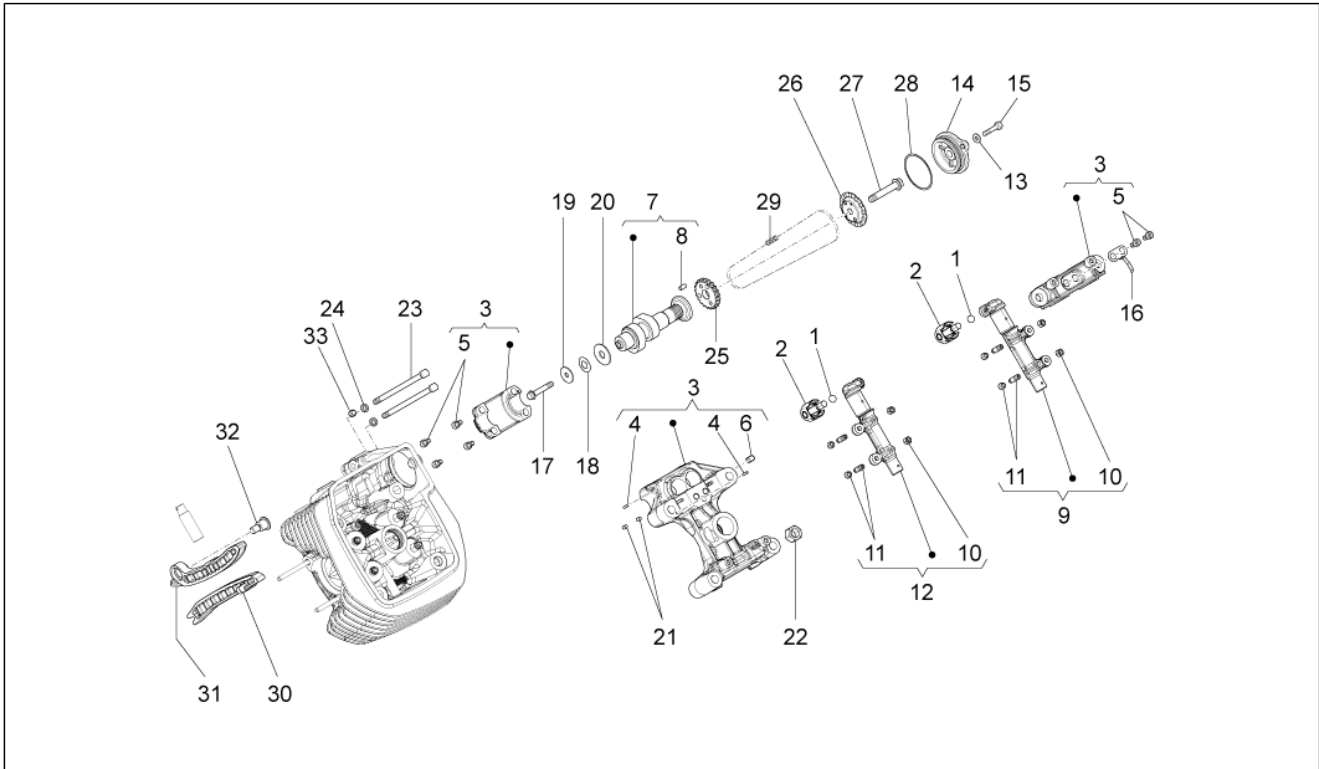
Pos.	Code	Beschrijving	Aant.	Varianten
29	976341	Distributieketting	1	
30	976338	Glijvlak van de ketting	1	
31	976337	Glijvlak kettingspanner	1	
32	878868	Bout afstandhouder M8	1	

Groep	ENGINE
Code	34.75
Beschrijving	LH cylinder timing system II
Revisie	1



Pos.	Code	Beschrijving	Aant.	Varianten
1	878574	Pastille	2	
2	B016785	Kleplicht.	2	
3	B017026	Houder as tuimelaars SX	1	
4	872759	Plug D. 2,5	4	
5	015792	Bout M8x30	6	
6	842360	Geschroefdrade dop M6x10	1	
7	B014576	Cam axle	1	
8	976589	Plug	1	
9	B0136034	Tuimelaar aanzuiging li uitlaat re	1	
10	879916	Moer regeling balanceringen	4	
11	879707	Regelbout	4	
12	B0136054	Tuimelaar aanzuiging re uitlaat li	1	
13	GU95129100	Elastische sluitring 5,3X10X0,5	2	
14	B013479	Bedekking ontluchting cpl.	1	
15	GU98622214	Bout	2	
16	B013661	Staalplaatje	1	
17	414837	Zeskantbout geflenst M6x25	1	
18	879938	Bekerveer	1	
19	879936	Vulring	1	
20	879937	Vulring	1	
21	B013552	Rolletje	2	
22	833520	Moer M10X1,25 6H	4	
23	487444	Geflenste bout M6x120	2	
24	976674	Sluitring vlak 12x6,1x2	2	
25	976350	Raderw. distr.	1	
26	874601	Staalplaatje ontluchting	1	
27	843060	Geflenste bout	1	
28	880965	Dichtingsring 2,62x46,52	1	

Groep	ENGINE
Code	34.75
Beschrijving	LH cylinder timing system II
Revisie	1



Pos.	Code	Beschrijving	Aant.	Varianten
29	976341	Distributieketting	1	
30	976338	Glijvlak van de ketting	1	
31	976337	Glijvlak kettingspanner	1	
32	878868	Bout afstandhouder M8	1	
33	244585	Afstandhouder	1	